

Physical Specification

Dimensions	140 x 100 x 42mm (D x W x H)
Weight	280g

Electrical Specification

Power supply	12 to 24VDC
Power consumption	150mA @ 12VDC, <2W average

Data Interface

NMEA2000	✓
WiFi	✓
USB	✓
IEC61162-1 (NMEA0183) bidirectional	✓
IEC61162-1 (NMEA0183) input, 4800baud	✓
Silent mode switch input	✓

User Interface

LED indicator for power	✓
LED indicator for transmit timeout	✓
LED indicator for error	✓
LED indicator for silent mode	✓

VHF Transceiver

Transmitter	x 1
Receiver	x 2
Frequency	156.025 to 162.025MHz
Output power	2W or 5W
Receiver sensitivity	<-110dBm @20% PER

GPS Receiver

Channels	50
Compliance	IEC61108-1
Extras	GLONASS

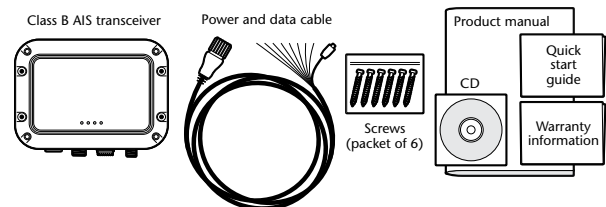
Standards Compliance

AIS Standards	IEC62287-1 Ed 2.1 IEC62287-2 Ed 1.0 ITU-R M.1371-5
Environmental standard	IEC60945 Edition 4
Serial data interface standards	IEC61162-1 Ed 5.0 IEC61162-2 Ed 1.0
GNSS performance standards	IEC61108-1 Ed 2.0 IEC61108-2 Ed 1.0
NMEA2000® interface standard	NMEA2000® Edition 2.20
Product Safety	EN60950-1 2006 +A11:2009 +A1:2010 +A12:2011 +A2:2013
WiFi	FCC U30-G2M5477

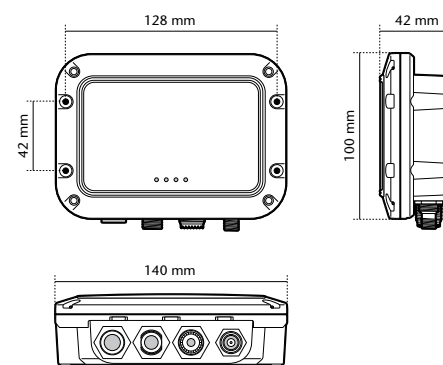
Environmental

Waterproof	IP67 rated for water ingress
IEC 60945	'Protected' category
Operating temperature	-15°C to +55°C

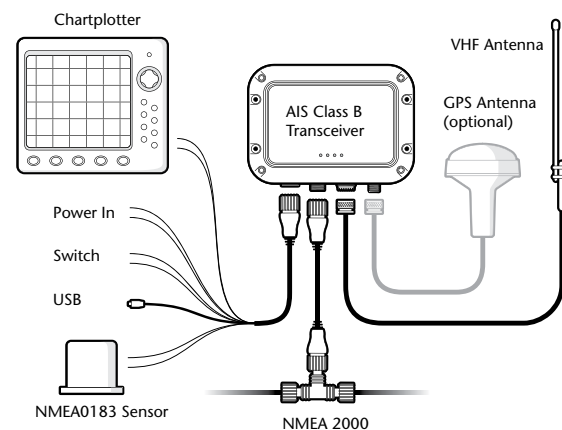
What's In The Box



Dimensions



System Diagram



SRT enhances maritime domain awareness by developing and manufacturing tracking technology and system solutions for individual vessel owners, port authorities, maritime infrastructure owners, coast guards and national security agencies around the globe. Applications include the tracking of commercial and leisure vessels; sustainable fishery; anti-collision; search and rescue; waterway management, port and coast security; pollution management and environmental management.

Contact us now for your OEM requirements:

SRT Marine Systems plc
Wireless House
Westfield Industrial Estate
Midsomer Norton
Bath BA3 4BS, UK

T +44 (0) 1761 409 500
F +44 (0) 1761 410 093
E info@srt-marine.com
W srt-marine.com

