



SFR3230/3X and SFR1240/3X Models Shown

FEATURES

- Available in 12VDC, 24 VDC and 32 VDC models
- Charging outputs for Lead-Acid, AGM, Gel and Lead Calcium
- Complete cutoff when full charge reached - no “trickle” charge
- Temperature sensor reduces output to prevent overcharging
- Ignition protected for engine room installations
- Three bank charging (4 bank option available for 60 amp models)
- LED charge status and fault indicators
- Current limiting protection
- Drip proof cabinet
- AC fuse protection
- Automatic reset DC Breaker
- Reliable ferro-resonant technology
- Field repairable for long voyages
- Two year parts and labor warranty

The line of Sentry SFR chargers is in an elite class, setting the standard for dependable battery chargers. Sentry chargers are designed to operate for decades in the harsh marine environment. They are completely field serviceable and come with a 2-year parts and labor warranty.

Sentry SFR battery chargers are designed for fully automatic, unattended operation, with charging outputs for Lead-Acid, AGM, Gel and Lead Calcium batteries. Once batteries reach full charge, Sentry chargers turn off completely. There is no output trickle to overcharge or dehydrate batteries. Additionally, optional temperature sensor reduces output to prevent overcharging.

Sentry chargers have negative ground with three outputs, allowing three separate banks of batteries to be charged simultaneously. A fourth output is available on some models.

For long voyages, Sentry SFR is the charger to have aboard. The manual/ automatic switch allows you to bypass the voltage regulating circuit, and most repairs can be accomplished with just a few spare parts.

Front-panel includes LED charge status and fault indicators and manual/ automatic selector switch.

All models are current limited and ignition protected for engine room installations.

TECHNICAL SPECIFICATIONS

Model	SFR1220/3	SFR1240/3X	SFR1240M/3	SFR1240/3XJ	SFR1260/3X	SFR1260M/3	SFR2425/3X	SFR2425M/3	SFR2440/3X	SFR2440/3XJ	SFR2460/3XJ	SFR3230/3X
Type of Battery	LeaAcid/Gel	Lead Acid/Gel	AGM	Lead Acid/Gel	Lead Acid/Gel	AGM	Lead Acid/Gel	AGM	Lead Acid/Gel	Lead Acid/Gel	Lead Acid/Gel	Lead Acid/Gel
DC Output Voltage	12V	12V	12V	12V	12V	12V	24V	24V	24 V	24 V	24 V	32 V
DC Output Current	20 A	40 A	40 A	40 A	60 A	60 A	25 A	25 A	40 A	40 A	60 A	30 A
Cut In/Cut Out	12.5/14.0	12.5/14.0	12.7/14.25	12.5/14.0	12.5/14.0	12.7/14.25	25.0/28.0	25.4/28.5	25.0/28.0	25.0/28.0	25.0/28.0	34.4/37.5
# Output Banks	3	3	3	3	***3	***3	3	3	3	3	***3	3
AC Input Voltage	115 VAC	*115/230 VAC	*115/230 VAC	*115/230 VAC	*115/230 VAC	*115/230 VAC	*115/230 VAC	*115/230 VAC	*115/230 VAC	*115/230 VAC	*115/230 VAC	*115/230 VAC
AC Input Current	4A	7/3.5 A	7/3.5 A	7/3.5 A	12/6 A	12/6 A	7/3.5 A	7/3.5 A	13/6.5 A	13/6.5 A	20/10 A	17/8.5 A
Input Frequency	60 Hz	60 Hz	60 Hz	**50/60 Hz	60 Hz	60 Hz	60 Hz	60 Hz	60 Hz	**50/60 Hz	**50/60 Hz	60 Hz
Height in/mm	14.50 / 368	14.50 / 368	14.50 / 368	14.50 / 368	16.25 / 413	16.25 / 413	14.50 / 368	14.50 / 368	16.25 / 413	16.25 / 413	16.25 / 413	16.25 / 413
Width in/mm	13.25 / 336	13.25 / 336	13.25 / 336	13.25 / 336	13.75 / 349	13.75 / 349	13.25 / 336	13.25 / 336	13.75 / 349	13.75 / 349	15.25 / 387	13.75 / 349
Depth in/mm	6.0 / 152	6.0 / 152	6.0 / 152	6.0 / 152	7.25 / 184	7.25 / 184	6.0 / 152	6.0 / 152	7.25 / 184	7.25 / 184	7.75 / 200	7.25 / 184
Weight lb/kg	24 / 11	28 / 12.7	28 / 12.7	28 / 12.7	38 / 17.3	38 / 17.3	29 / 13.2	30 / 13.6	39 / 17.7	39 / 17.7	60 / 27.3	45 / 20.5
DC Output Fuse	Yes	Yes	Yes	Yes	Yes	Yes	Yes	Yes	Yes	Yes	Yes	Yes
AC Input Fuse	****5A	****10A	****10A	****10A	****15A	****15A	****10A	****10A	****15A	****15A	****20A	****20A
Temp Sensor Comp	Yes	Yes	Yes	Yes	Yes	Yes	Yes	Yes	Yes	Yes	Yes	Yes
CE Approved	Yes	Yes	Yes	Yes	Yes	Yes	Yes	Yes	Yes	Yes	Yes	Yes
Ignition Protected	Yes	Yes	Yes	Yes	Yes	Yes	Yes	Yes	Yes	Yes	Yes	Yes
Internal Fan	Yes	Yes	Yes	Yes	Yes	Yes	Yes	Yes	Yes	Yes	Yes	Yes
Current Limited	Yes	Yes	Yes	Yes	Yes	Yes	Yes	Yes	Yes	Yes	Yes	Yes
Battery Isolation	Yes	Yes	Yes	Yes	Yes	Yes	Yes	Yes	Yes	Yes	Yes	Yes
Charger Indicators	LED	LED	LED	LED	LED	LED	LED	LED	LED	LED	LED	LED
Full/Charging Indicator	Yes	Yes	Yes	Yes	Yes	Yes	Yes	Yes	Yes	Yes	Yes	Yes
Fault Indicator	Yes	Yes	Yes	Yes	Yes	Yes	Yes	Yes	Yes	Yes	Yes	Yes
Manual/Auto Switch	Yes	Yes	Yes	Yes	Yes	Yes	Yes	Yes	Yes	Yes	Yes	Yes
Field Repairable	Yes	Yes	Yes	Yes	Yes	Yes	Yes	Yes	Yes	Yes	Yes	Yes
Warr.-Parts & Labor	2	2	2	2	2	2	2	2	2	2	2	2

NOTE: All Sentry models include a control circuit switch for charging Flooded Lead-Acid, AGM, Gel and Lead Calcium batteries.

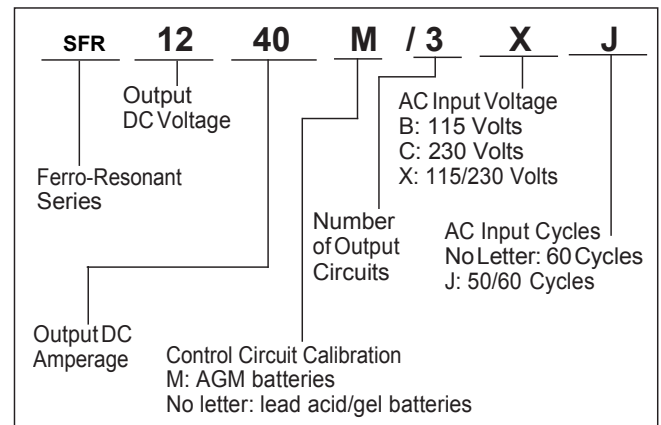
***NOTE:** voltage is changed with a rocker switch.

****NOTE:** frequency is changed with a slide switch.

*****NOTE:** 4 outputs available on special order.

******NOTE:** AC fuses rated slow blow at 250VAC.

INTERPRETING MODEL NUMBERS



Automatic Ferro-Resonant Battery Charger
 Linear Devices Corp.
 11126 Air Park Road, Suite G
 Ashland, VA 23005
 Ph: 804-368-8428, Fax: 804-368-8438
 Toll Free 1-888-532-8768
 Email: sales@sentrychargers.com
sentrychargers.com