

Hidden Frame Windows

The Series 15 frame is unique in that it is hidden behind the glass to give a bonded-glass appearance, whilst maintaining the water integrity. The window can also be opened and the frame removed if necessary, something currently impossible with bonded glass.

Available as a fixed, sliding or top hung window. As these units are clamp in, they are quicker to fit. As well as an elegant appearance the chance of leaks has been greatly reduced as there are no external fixings.

A variety of toughened glazing is available, ranging from 6mm Single pane to Double Glazed or Laminated units.

The outer frame is anodised and powder coated in your choice of a wide range of colours.



Hidden Frame Types:

- Fixed
- Sliding
- Top Hung

Key Points:

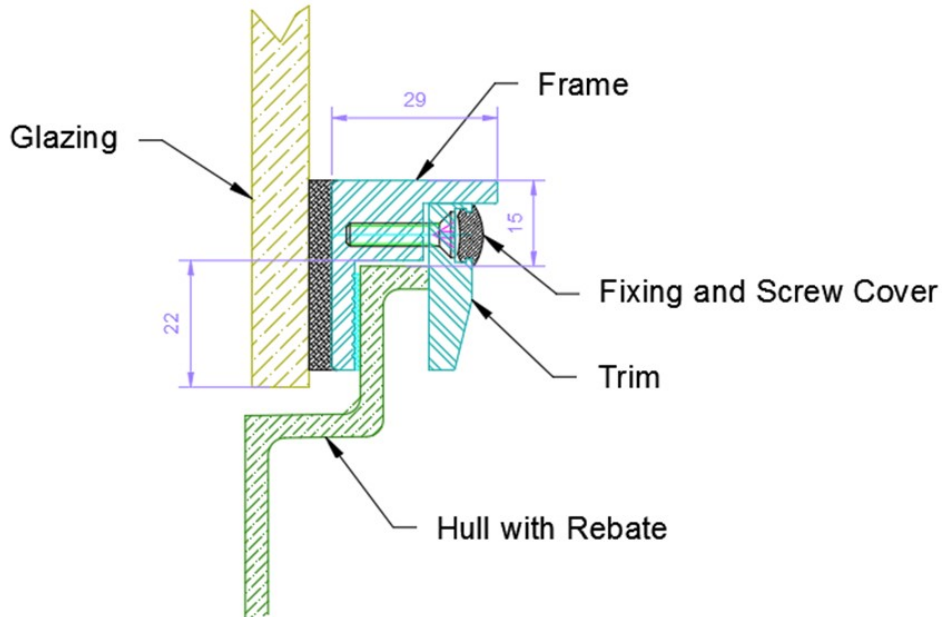
- Hidden Fixings
- Variety of Glazing Options
- Variety of Finishes Available
- Mitred or Radius Corners

See reverse for technical data

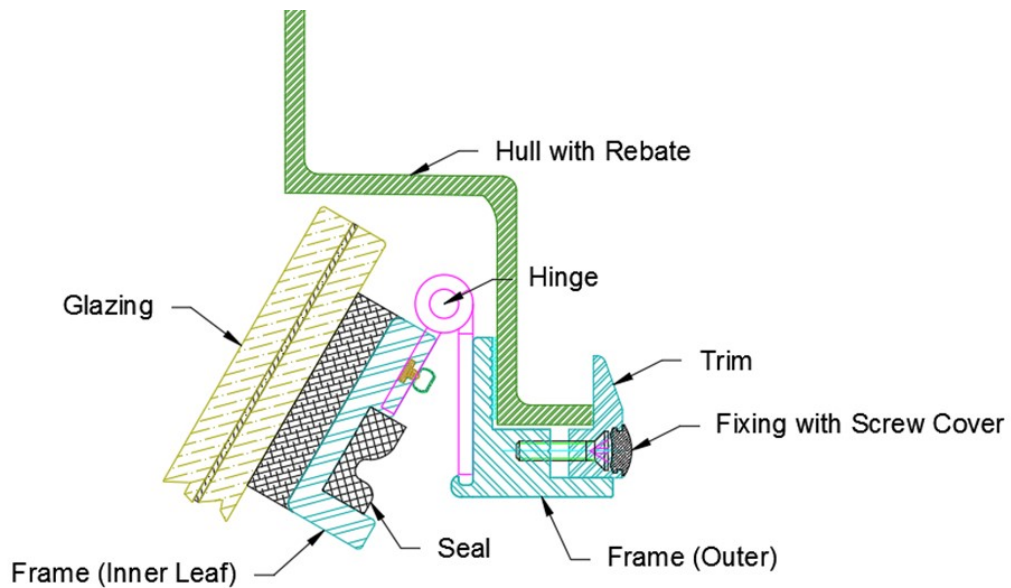


Hidden Frame Window Technical Data

Fixed Window



Top Hung Window



Drawings and 3D models available on request.