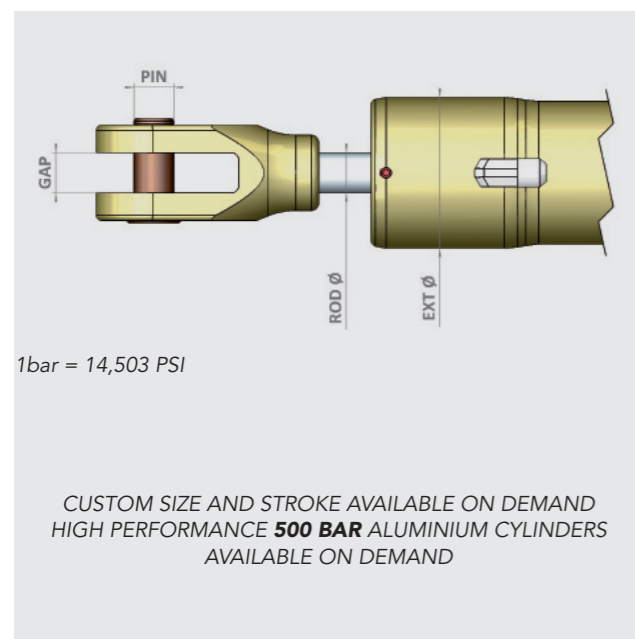


STANDARD SINGLE ACTING CYLINDERS

Cariboni standard single acting cylinders are available in many models ready in stock or with very short delivery time. The cylinders are all supplied with standard rod and tube clevis terminals. Custom terminals are available on request (lashing, marine eye, pulley, tackle, etc...).

Tubes and terminals are made on black hard coated aluminium alloy (6082); rods are made on Nitronic 50 and pins on 17-4-PH stainless steel. All our cylinders have return spring air to ease release the load. Complete seals kit and service tools are available on demand.

- Notes:
 (1) Maximum pull working load at 350 bar with no gas pressure
 (2) Rod and tube terminal have the same pin&gap dimensions



| SIZE | MODEL | Max pull Load @ 350ar ⁽¹⁾ | |
|------|---------------|--------------------------------------|-----------|
| | | kg | (lbs) |
| 5 | CL 019 S 0250 | 717 | (1581) |
| | CL 019 S 0400 | | |
| | CL 019 S 0500 | | |
| 6 | CL 025 S 0270 | 1349 | (3804) |
| | CL 025 S 0350 | | |
| | CL 025 S 0570 | | |
| 7 | CL 030 S 0250 | 1972 | (4348) |
| | CL 030 S 0350 | | |
| | CL 030 S 0400 | | |
| 10 | CL 030 S 0570 | 2883 | (6357) |
| | CL 035 S 0250 | | |
| | CL 035 S 0380 | | |
| 12 | CL 035 S 0570 | 3767 | (8034) |
| | CL 040 S 0250 | | |
| | CL 040 S 0380 | | |
| 17 | CL 040 S 0570 | 4959 | (10.932) |
| | CL 045 S 0250 | | |
| | CL 045 S 0400 | | |
| 20 | CL 045 S 0600 | 6290 | (13.867) |
| | CL 050 S 0280 | | |
| | CL 050 S 0400 | | |
| 23 | CL 050 S 0600 | 7355 | (16.214) |
| | CL 055 S 0300 | | |
| | CL 055 S 0400 | | |
| 28 | CL 055 S 0600 | 8970 | (19.775) |
| | CL 060 S 0300 | | |
| | CL 060 S 0450 | | |
| 32 | CL 060 S 0700 | 11.893 | (26.219) |
| | CL 070 S 0350 | | |
| | CL 070 S 0450 | | |
| 50 | CL 070 S 0700 | 16.188 | (35.688) |
| | CL 080 S 0450 | | |
| | CL 080 S 0600 | | |
| 60 | CL 080 S 1000 | 19.872 | (43.810) |
| | CL 090 S 0450 | | |
| | CL 090 S 0650 | | |
| 86 | CL 090 S 1000 | 25.160 | (55.468) |
| | CL 100 S 0450 | | |
| | CL 100 S 0600 | | |
| 110 | CL 100 S 1000 | 33.637 | (74.155) |
| | CL 115 S 0500 | | |
| | CL 115 S 0700 | | |
| 160 | CL 115 S 1100 | 50.412 | (111.140) |
| | CL 140 S 0500 | | |
| | CL 140 S 0700 | | |
| | CL 140 S xxxx | | |

STANDARD SINGLE ACTING CYLINDERS

| Max yield load | | Gap & Pin ⁽²⁾ | | Rod Ø | Ext Ø | Stroke | L min (pin-to-pin) | Dry weight | Oil volume |
|----------------|-----------|--------------------------|------|-------|-------|--------|--------------------|------------|------------|
| kg | Lbs | mm | mm | mm | mm | mm | mm | kg | litres |
| 4100 | (9039) | 11,2 | 11,2 | 10 | 31 | 250 | 544 | 0,8 | 0,05 |
| | | | | | | 400 | 693 | 0,9 | 0,08 |
| | | | | | | 500 | 794 | 1,1 | 0,1 |
| 5330 | (11.750) | 11,2 | 11,2 | 12 | 38 | 270 | 559 | 1,3 | 0,1 |
| | | | | | | 350 | 659 | 1,4 | 0,13 |
| | | | | | | 570 | 909 | 1,6 | 0,22 |
| 5636 | (18.425) | 14,7 | 12,5 | 14 | 44 | 250 | 526 | 1,6 | 0,15 |
| | | | | | | 350 | 643 | 1,9 | 0,19 |
| | | | | | | 400 | 701 | 2,0 | 0,22 |
| 5636 | (18.425) | 12,7 | 12,7 | 14 | 49,5 | 250 | 250 | 1,8 | 0,21 |
| | | | | | | 380 | 380 | 2,1 | 0,32 |
| | | | | | | 570 | 570 | 2,6 | 0,48 |
| 11.370 | (25.066) | 16 | 16 | 16 | 52 | 250 | 574 | 2,3 | 0,26 |
| | | | | | | 380 | 721 | 2,6 | 0,4 |
| | | | | | | 570 | 947 | 3 | 0,6 |
| 11.370 | (25.066) | 16 | 16 | 16 | 58 | 250 | 528 | 2,6 | 0,35 |
| | | | | | | 400 | 703 | 3,4 | 0,56 |
| | | | | | | 600 | 937 | 3,7 | 0,83 |
| 11.370 | (25.066) | 19 | 19 | 16 | 60 | 280 | 573 | 3,4 | 0,49 |
| | | | | | | 400 | 705 | 4,7 | 0,7 |
| | | | | | | 600 | 925 | 4,9 | 1,06 |
| 13.945 | (30.743) | 19 | 19 | 20 | 76 | 300 | 610 | 5,1 | 0,62 |
| | | | | | | 400 | 720 | 5,8 | 0,82 |
| | | | | | | 600 | 940 | 7,2 | 1,24 |
| 13.945 | (30.743) | 19 | 19 | 20 | 76 | 300 | 664 | 5,9 | 0,75 |
| | | | | | | 400 | 845 | 6,7 | 1,13 |
| | | | | | | 600 | 1087 | 8,2 | 1,76 |
| 26.830 | (59.149) | 22,2 | 22,2 | 25 | 94 | 350 | 720 | 9,4 | 1,18 |
| | | | | | | 450 | 830 | 10,6 | 1,51 |
| | | | | | | 700 | 1105 | 13,6 | 2,35 |
| 26.830 | (59.149) | 25,4 | 25,4 | 25 | 108 | 450 | 450 | 13,5 | 2,04 |
| | | | | | | 600 | 600 | 15,6 | 2,72 |
| | | | | | | 1000 | 1000 | 23 | 4,54 |
| 37.740 | (83.201) | 31,8 | 31,8 | 31,75 | 122 | 450 | 940 | 20 | 2,51 |
| | | | | | | 650 | 1160 | 24 | 3,62 |
| | | | | | | 1000 | 1545 | 31 | 5,57 |
| 40.781 | (83.201) | 31,8 | 31,8 | 31,75 | 128 | 450 | 450 | 13,5 | 2,04 |
| | | | | | | 600 | 600 | 15,6 | 2,72 |
| | | | | | | 1000 | 1000 | 23 | 4,54 |
| 56.769 | (125.152) | 40 | 40 | 35 | 145 | 500 | 1130 | 28,6 | 4,57 |
| | | | | | | 700 | 1355 | 31,8 | 6,39 |
| | | | | | | 1100 | 1738 | 39,6 | 10,0 |
| 75.187 | (166.757) | 45 | 45 | 40 | 174 | 500 | 1380 | 37,7 | 6,9 |
| | | | | | | 700 | 1675 | 42,7 | 9,66 |

Custom stroke available on demand