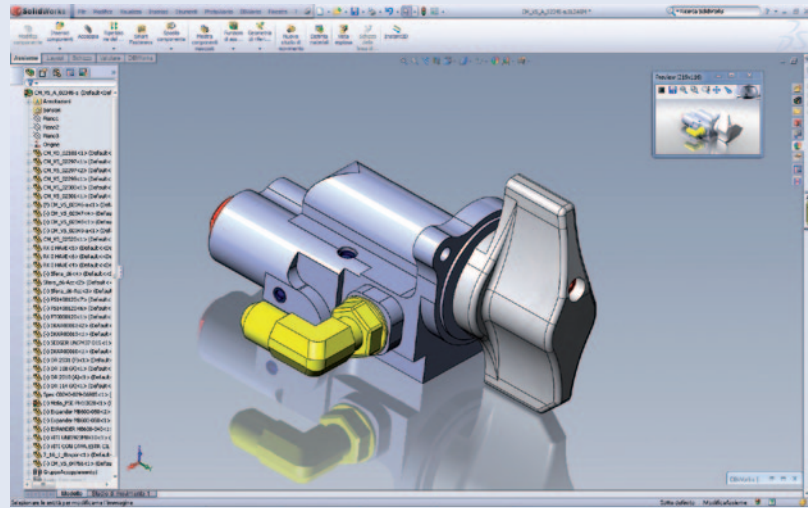


## MANUAL CONTROL



The first manual valve was born in 2000 for AC yachts. Cariboni introduced for the very first time a new concept of manual hydraulic valves based on pilot logic-elements. Starting from industrial high-tech components moved a step behind setting a new benchmark in marine world. Design to work at higher pressure and to have the maximum control and reliability during the race, all manual Cariboni-Caritec valves are made on lightweight hard coated 7075-T651 aluminium body and are all designed starting from the race know-how got from TP52, AC, VOR 70 and Open60 yachts.

Nowadays, Caritec the manual line of Cariboni, after 10 years of day-by-day development, can offer to every kind of sailing boat, a complete set of manual control and a full

list of accessories.

Every manual valve has a modular design in order to easily put in a custom panel with other valves, pumps and accessories.

All manual controls (valves, pumps, accessories) are design to work up to 700 bar and can be customized with lightweight ABS, aluminium or titanium fittings. All valves have 3 positions: you can control each cylinder by its own valve to hold, pump and release.

Cariboni-Caritec offers you different type of valves, pumps and accessories based on the same winner concept, which can put together in virtual no-end arrangements.

**Black line:** Cariboni-Caritec standard high flow manual valve for cruise sail boat. All these valves can work up to 700 bar and manage 18lpm oil flow with just a  $\Delta p$  3 bar. Manual quick release is available for complete system.

**Quad line:** these manual valves come from race line ones, with the same mechanical design but review for cruise-racer sailing boats. Single and double hand pumps can be fitted on manifold for compact manual panel.

**Race line:** lightness, reliability and top performances are the key words for these kind of valves installed on AC yachts and on most of the TP52 and IRC racing yachts. Lightweight single and double pumps, on line valves and accessories are available for pro racer.

**Bagolin line:** Cariboni's ultimate solution for manual control.

Cariboni's hydraulic manual system:  
Oracle trimarans  
Hydroptère foil trimarans  
Stravaganza 42' canting keel

