



WATER-PRO COMPACT S-90

By Eco-systems watermakers

Carrer d'Horta 22 – 08203 Sabadell – Spain

www.eco-systems.com

+34 647 219 510 export@eco-systems.com

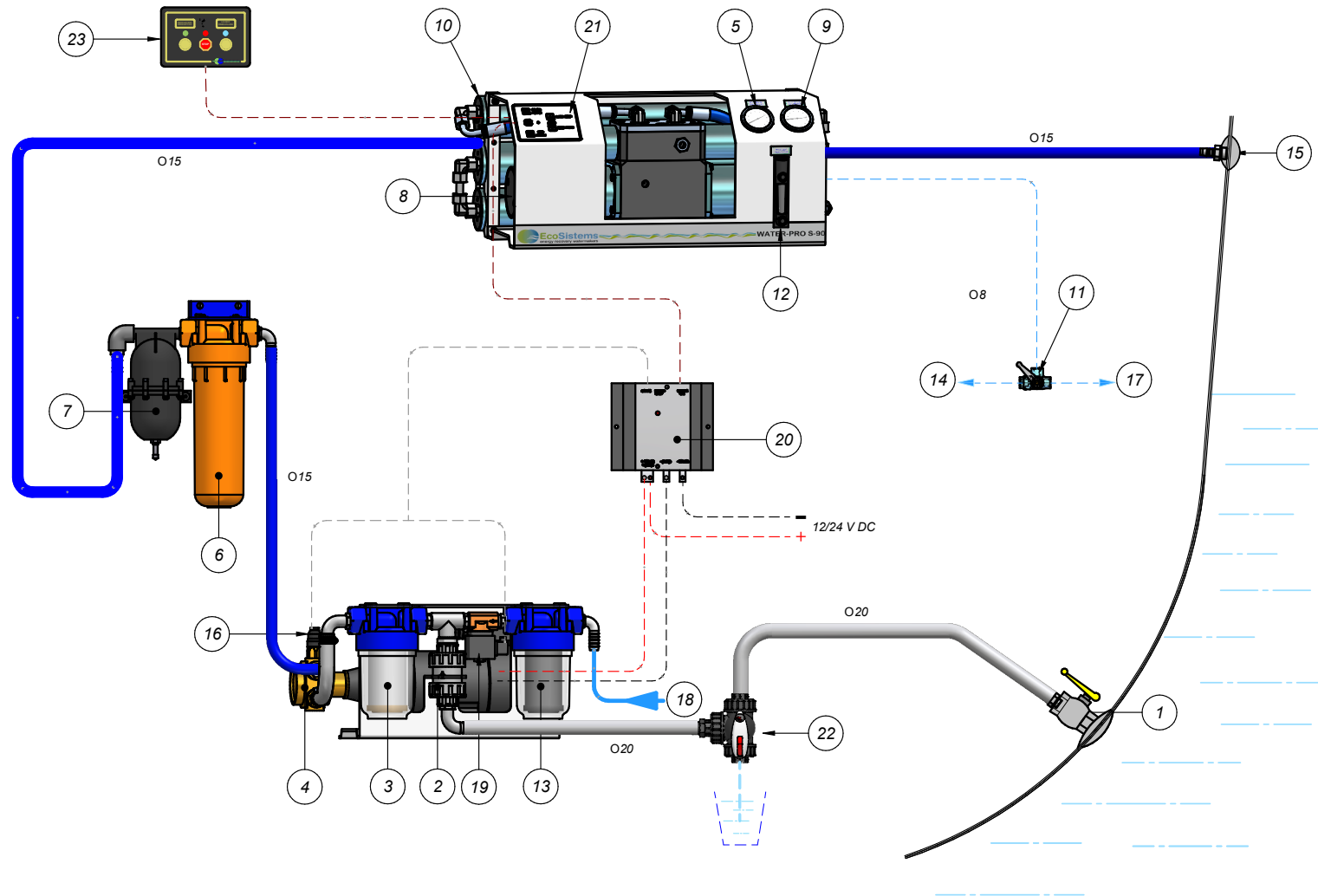
SPECS WATER-PRO COMPACT S-90

Installation, packing list, dimensions, and options

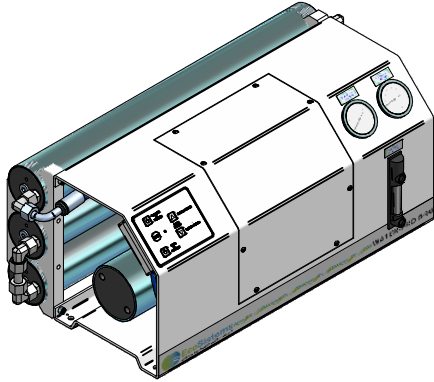
WATER-PRO COMPACT S-90 INSTALLATION

SYSTEM COMPONENTS

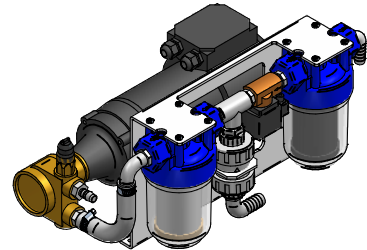
1. - Seacock valve to uptake the seawater
2. - Check valve
3. - Washable strainer filter
4. - Low-pressure booster pump
5. - Low pressure gauge
6. - 5 microns filter container
7. - Expansion vessel
8. - High pressure pump with energy recovery system ST-18/CERAMIC
9. - High pressure gauge.
10. - R.O. Membrane and vessel.
11. - (OPTION) Three ways valve for the produced water
12. - Flowmeter production
13. - Anti Cl carbon filter
14. - Produced water output to the tank
15. - Brine discharge thru-hull
16. - Pressure switch
17. - Direct produced water output - CONTROL
18. - Boat freshwater input
19. - Fresh flush solenoid valve
20. - Power box
21. - Digital control panel
22. - (OPTIONAL) Three-way valve for wintering
23. - (OPTIONAL) Remote control panel



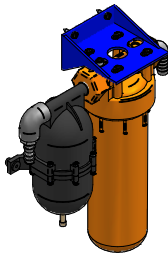
WATER-PRO COMPACT S-90 PACKING LIST



WATER-PRO
COMPACT-90



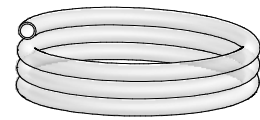
LOW PRESSURE SET



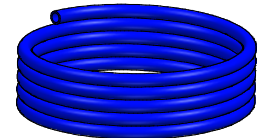
LOW PRESSURE FILTER SET



POWER BOX



HOSE CLEAR BRAID Ø20



BLUE TUBE Ø15X22



BLUE TUBE Ø8X6



4 – HOSE CLAMP
16/27



16 – HOSE CLAMP
12/22



CONNECTOR Ø6 TUBE X
¼ BSP PLASTIC



ADAPTER ½ BSP X ¾
BARB PVC

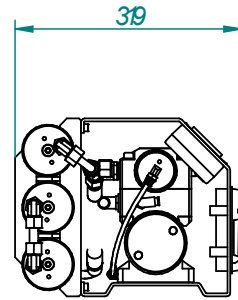
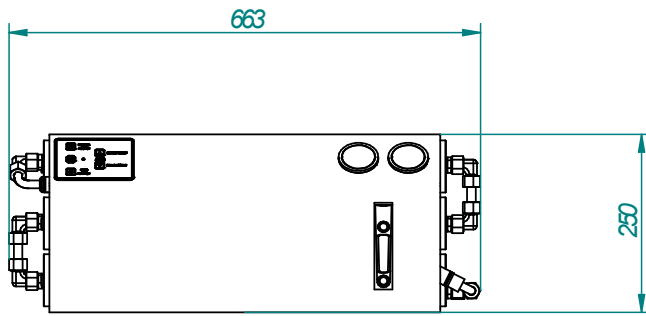


2-ADAPTER ½ BSP X
½ BARB PVC

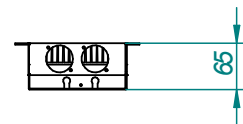
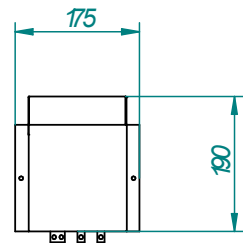
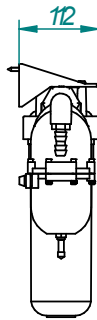
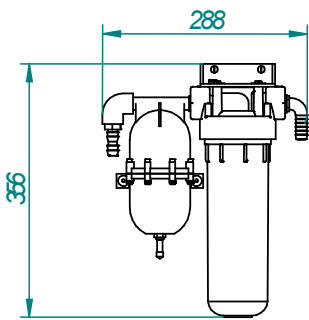


FILTER WRENCH

WATER-PRO COMPACT S-90 DIMENSIONS

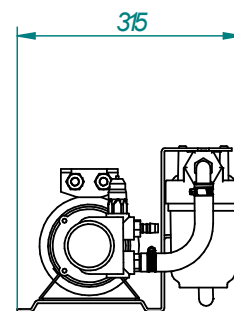
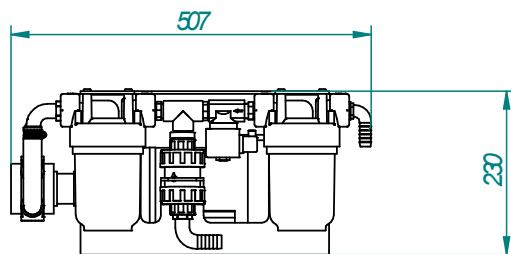


COMPACT S-90



LOW PRESSURE FILTER SET

POWER BOX



LOW PRESSURE SET

WATER-PRO COMPACT S-90 SPECS



Electrical specifications

- 750 W Motor – 12 V DC consumption: 48,7 Amps, 540 W*
- 750 W Motor – 24 V DC consumption: 24,3 Amps, 540 W*
- 750 W Motor – 220 V AC consumption: 2,4 Amps, 540 W*
- Average consumption per litre: 6,5 W*

*The consumption is estimated and might have some variation depending on the water temperature, salinity and system installation.

Other specifications

- Booster pump minimum inlet pressure: + 0,05 bar
- Booster pump outlet pressure: 11 – 14 bar
- High pressure pump outlet pressure: 45 – 60 bar
- Feed flow: 900 litres / hour
- Average effective production: 90 litres / hour (+/- 10%)
- Conversion: 10 %
- Rejected/permeated ratio: 9 : 1
- Membrane type: 3 membranes 25/21

WATER-PRO COMPACT S-90 COMPONENTS' WEIGHT

COMPONENTS	WEIGHT
High pressure pump	30,7 KG
Low pressure filter set	1,5 KG
Low pressure set 12 / 24 V DC	15, 2 KG
Low pressure set 220 V AC	15 KG
Power box	0,5 KG

STANDARD MODEL

- Automatic pressure regulation
- Energy recovery high pressure pump
- **Production control** – optimize the production depending on the water condition (temperature /salinity) by adjusting the inlet water
- **Programming mode:** cycle of 1, 2 or 3 hours production finishing with a fresh flush
- **Hydraulic indicators:** Flowmeter, low pressure gauge, high pressure gauge
- **Automatic fresh flush:** 2 min temporized fresh flush that you activate with a simple button. During the flush, the speed of the motor is reduced by two to use a small amount of water.

WATER-PRO COMPACT S-90 OPTIONS



Remote control

Start, flush, and stop the unit from an easy access point.

Three-way production valve

You can send the produced water to tank or kitchen.



Wintering valve

This valve allows you to winterize your unit the easiest way possible.

Maintenance kit

In this kit you will find all the spares you need to for one year navigation.

It includes two 5 microns filters, one rotary vane pump, one carbon filter and 250 g of membrane conservative.

