



MARINE WATERMAKERS

*Source
of freedom*



Authorized distributor



C/ Horta, 22. 08203 Sabadell
Barcelona (Spain)
T +34 937 108 950
F +34 937 122 355
info@eco-systems.com

www.eco-systems.com



Source of freedom





EcoSystems has more than 20 years' experience in the design and manufacturing reverse osmosis watermakers and developing technology internationally patented for land and nautical sectors.

EcoSystems products are equipped with high pressure (HP) pumps with energy recovery to reach osmotic pressure. The **EcoSystems** technology consists of using the same membrane to act as a pressure regulator, which reduces the electricity consumption by up to 80%. The production capacities starts from 25 l/h and goes up to 4000 l/h. The high-quality components and functional design of the pump guarantee optimal performance and easy maintenance.

EcoSystems has a permanent R&D policy to anticipate and respond to market needs. Active in the 5 continents through a network of more than 80 distributors, assuring the distribution and technical service.

EcoSystems guarantees advanced technology, quality, and service.



-  Reliable
-  Low consumption
-  Quiet
-  The smallest and the lightest on the market
-  Automatic pressure regulation

gain vacation time



Official Supplier: DIDAC COSTA

The EcoSystems watermakers have circled the world in regatta passing through the five oceans and the most extreme places on the planet.



WHY DO YOU NEED A WATERMAKER ON BOARD?

A watermaker provides autonomy, because you can produce your own water at any time; without having to go ashore to fill tanks; with this solution we gain time, space, and money. In addition, as the water produced is drinking water, this allows us to travel lighter, with smaller water tanks, using less fuel.

Which watermaker do you need?

On-board water consumption must be defined to know which type of watermaker you need. A watermaker unit usually works around 4 hours per day, to facilitate its maintenance it's best to be producing water every day and finish the production cycle with a fresh flush.

Main variables to calculate the quantity of water on-board

- Fresh water for consumption per person/day
- Personal hygiene (shower/toilet)
- Washing
- Boat cleaning
- Emergency

Based on the data and the experience of our clients, we have calculated the quantity of water needed and the watermaker recommended for each estimation. We consider that the consumption per person per day is 55 litres totalling 4 hours work:

PEOPLE ON BOARD	2	4	6	8 /+
DAILY CONSUMPTION (LITRES)	110 l	220 l	330 l	440 l/h / +
LITRES/HOUR TO PRODUCE	27,5 l/h	55 l/h	82.5 l/h	110 l/h / +
RECOMMENDED WATERMAKER	<i>Splash 25</i> <i>Splash 30</i>	<i>Water-Pro 60</i> <i>Water-Pro 90</i>	<i>Water-Pro 90</i> <i>Water-Pro 120</i>	<i>Efficient</i>

Watermaker *splash* 25 / 30S



MODEL	25 l/h	30 l/h
COMPACT	Basic	Standard
MODULAR		
DC 12 / 24 V	✓	✓
AC 220 V		
PAGES	5-6	5-6

BASIC / STANDARD

Our **BASIC** models do not have any electronics, they are easy to use because the pressure regulation is automatic and the fresh flush is manual. Several options are available to complete the model like the automatic fresh flush.

Our **STANDARD** models are equipped with electronics and have temporised automatic fresh flush, production control, and a programmable production mode.

Automatic fresh flush includes a carbon filter to eliminate the chlorine present in the water. On the **STANDARD** models the water consumption is reduced by two, operating for 2 minutes.

Production regulation is a useful tool to regulate the operation of your watermaker, adapting its production to water conditions. Perfect for global circumnavigation as you can still operate the unit even though the system might be partially blocked.

Programmable production mode allows you choose the production time, from 1 to 3 hours, the unit stops by itself at the end of cycle after an automatic flush.

Watermaker *Water-Pro* 60 / 90 / 120



MODEL	60 l/h	90 l/h	120 l/h
COMPACT	Standard	Standard	
MODULAR	Basic - Standard	Basic - Standard	Standard
DC 12 / 24 V	✓	✓	24 V
AC 220 V	✓	✓	✓
PAGES	7-10	7-10	7-10

COMPACT / MODULAR

The **COMPACT** Range is designed to facilitate installation.

The different components are preinstalled in 3 main blocks:

- High pressure block (membranes and high-pressure pump all connected)
- Low pressure block (low pressure pump installed on a support with prefilter and washing filter)
- Low pressure filter

The **MODULAR** Range is designed for boats with little space, all the components are installed one by one, which allows combining the different elements according to the available space.

Watermaker *Efficient-A* A200 / A250 / A300



MODEL	200 l/h	250 l/h	300 l/h
COMPACT	Automatic		Automatic
MODULAR		Automatic	
DC 12 / 24 V	✓	✓	
AC 220 V	220/380 V	220/380 V	220/380 V
PAGES	11-12	11-12	11-12

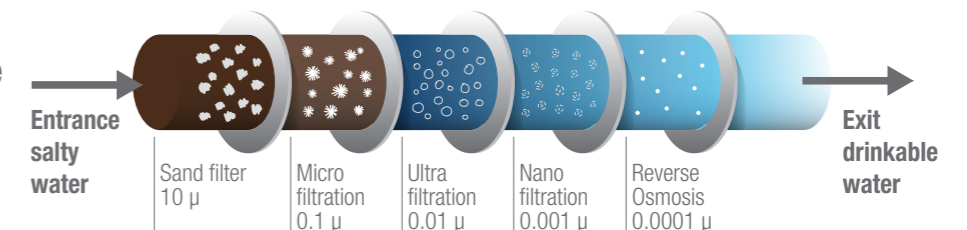
AUTOMATIC

Our **EFFICIENT** range is fully automatic, it self-regulates according to external factors to achieve optimal production. It has a digital display showing the different readings like the production, the reject, the pressures, the salinity, etc... In addition, it can be operated manually in the emergency mode. This model is available in compact and modular versions.

Quality of water

Inverse Osmosis is the most complete filtering there is, the water produced is 99.80% pure, the only elements that remain after filtering are salts.

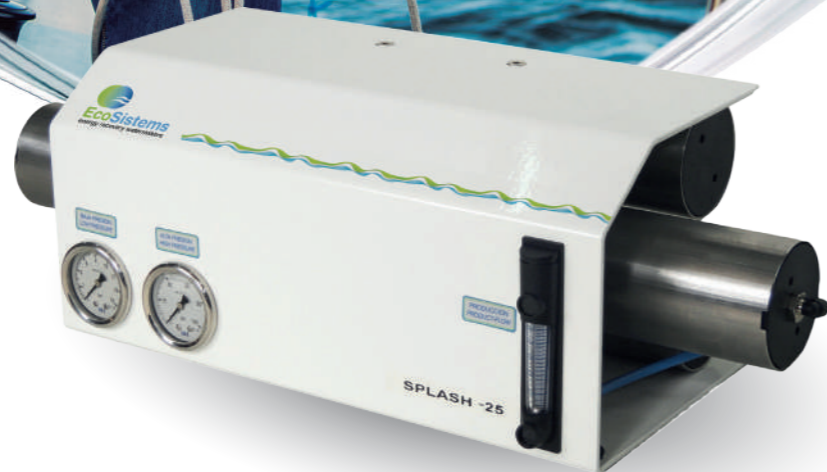
Filtration by reverse Osmosis



FOR SMALL AND LARGE ADVENTURES



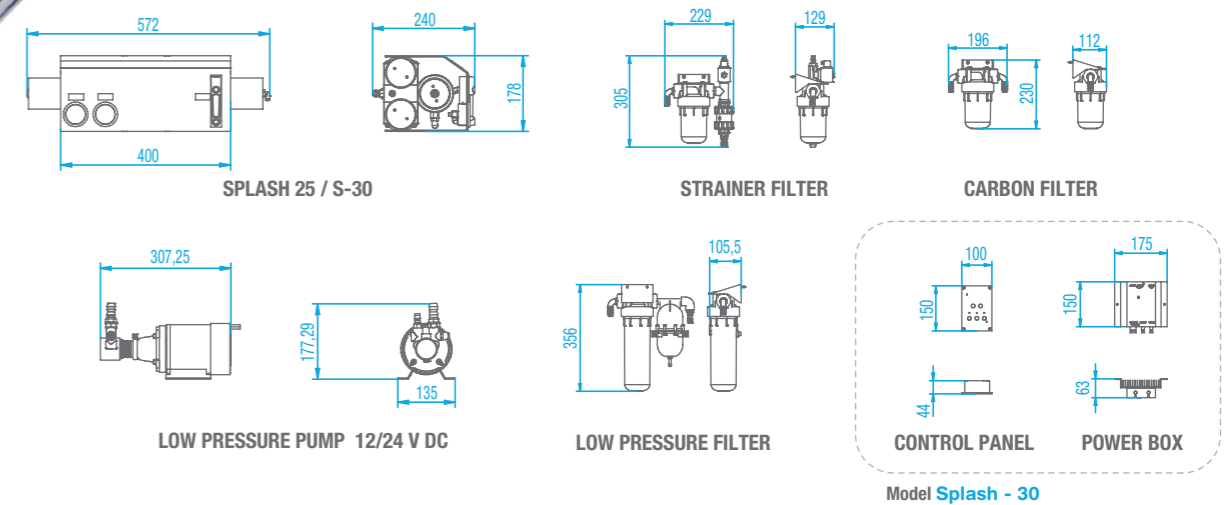
Watermaker **splash** 25 / S-30



- The smallest watermaker on the market
- Energy recovery up to 80 %
- Minimal electric consumption
- High quality materials and components
- Minimal nominal production 25 l/h – 30 l/h
- Quiet performance without vibrations
- Automatic pressure regulation
- Easy to install

The SPLASH range offers two models with the same dimensions, one model is 25 l/h basic and the other is 30 l/h standard. These are the smallest watermakers in their category currently available on the market, equipped with hydraulic indicators (flowmeter, high and low pressure gauges). They are very easy to install with their membrane integrated into the high-pressure pump, reducing energy loss. The standard model is equipped with a programmable production mode that allows defining the operation times and the flush is performed automatically at the end of each cycle. Our best seller for boats that want more freedom!

Technical specifications and dimensions



Splash - 25

WEIGHT	24 kg
POWER	12 V DC / 24 V DC
CONSUMPTION*	13,3 A / 12V - 6,7 A / 24 V
FEEDING FLOW	350 l/h
PRODUCTION*	25 l/h (+/-10%)
MEMBRANES	1 x 2721 ECO
FEATURES	<ul style="list-style-type: none"> Automatic pressure regulation ✓ Fresh flush Manual Production regulation Carbon filter Programming mode

- Options**
- Automatic fresh flush - remote control available with this option
 - Carbon filter - fresh flush
 - 3 way production valve
 - Maintenance kit
 - 3 way wintering valve

Splash - 30

WEIGHT	25 kg
POWER	12 V DC / 24 V DC
CONSUMPTION*	14 A / 12V - 7 A / 24 V
FEEDING FLOW	400 l/h
PRODUCTION*	30 l/h (+/-10%)
MEMBRANES	1 x 2721 ECO
FEATURES	<ul style="list-style-type: none"> Automatic temporized ✓ ✓ ✓ ✓

- Options**
- Remote control
 - 3 way production valve
 - Maintenance kit
 - 3 way wintering valve

* Results obtained in standard conditions, sea water salinity 35.000 ppm and water temperature at 25°C.

Hydraulic indicators:
Flowmeter / HP Gauge / LP Gauge

ENJOY YOUR PARADISE



Watermaker Water-Pro Compact S-60 / S-90



- Energy recovery up to 80 %
- Minimal electric consumption
- AC or DC power
- Available in standard version
- Quiet performance without vibrations
- Minimal nominal production 60l/h – 90 l/h
- Easy to install

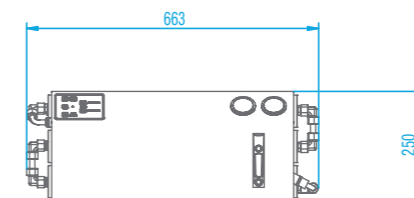
The WATER-PRO COMPACT Range is designed to facilitate on-board installations with its preinstalled components.

The range offers two models, one for 60 l/h and the other for 90 l/h having the same dimensions, only the number of membranes changes from one model to the other.

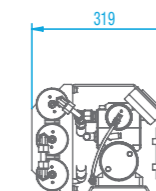
The compact range is only available in standard version, equipped with temporised fresh flush, production regulation and programmable production mode. This latter allows defining operation times with automatic stopping and flushing at the end of each cycle.

A compact design model with advanced functions for greater comfort on-board.

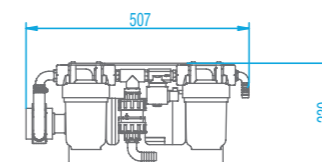
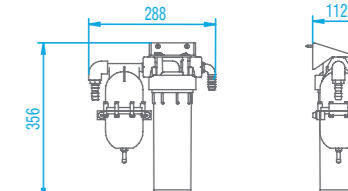
Technical specifications and dimensions



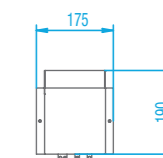
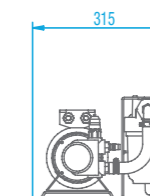
COMPACT S-60 / S-90



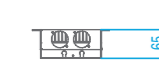
LOW PRESSURE FILTER



LOW PRESSURE SET



POWER BOX



S - 60

WEIGHT	41 kg
POWER	12 V DC / 24 V DC / 220 V AC / 110 V AC
CONSUMPTION*	25 A/12 V - 12,5 A/ 24 V - /1,6 A/220 V
FEEDING FLOW	600 l/h
PRODUCTION*	60 l/h (+/- 10%)
MEMBRANES	2x2521
FEATURES	<ul style="list-style-type: none"> Automatic pressure regulation ✓ Automatic fresh flush ✓ Production regulation ✓ Programming mode ✓

- Options**
- Remote control
 - 3 way production valve
 - Maintenance kit
 - 3 way wintering valve
 - Salinity control

S - 90

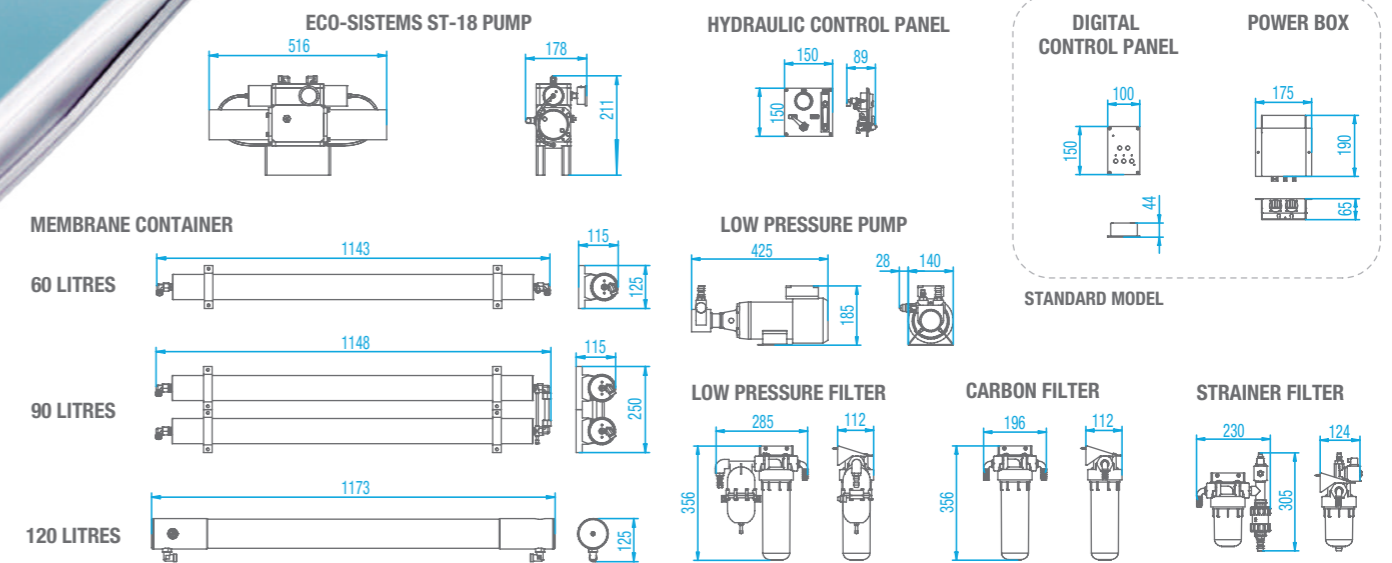
WEIGHT	48 kg
POWER	12 V DC / 24 V DC / 220 V AC / 110 V AC
CONSUMPTION*	45 A/12V - 22,5 A /24V - 2,4 A /220V
FEEDING FLOW	900 l/h
PRODUCTION*	90 l/h (+/- 10%)
MEMBRANES	3x2521
FEATURES	<ul style="list-style-type: none"> Automatic pressure regulation ✓ Automatic fresh flush ✓ Production regulation ✓ Programming mode ✓

- Options**
- Remote control
 - 3 way production valve
 - Maintenance kit
 - 3 way wintering valve
 - Salinity control

* Results obtained in standard conditions, sea water salinity 35.000 ppm and water temperature at 25°C.

GREAT MOMENTS OF PLEASURE

Technical specifications and dimensions



Watermaker Water-Pro Modular



- Energy recovery up to 80 %
- Minimal electric consumption
- AC or DC power
- Available in Basic and Standard version
- Quiet performance without vibrations
- Minimal nominal production
60l/h – 90l/h – 120l/h
- Automatic pressure regulation
- Easy to install

The WATER-PRO MODULAR range offers basic and standard models. Their modular configuration allows a more optimised installation in reduced spaces.

Both models are equipped with a hydraulic panel that streams the produced water to the tank or to the kitchen and include carbon filter that clears the chlorine from the water.

This is the perfect solution for boats with reduced space.

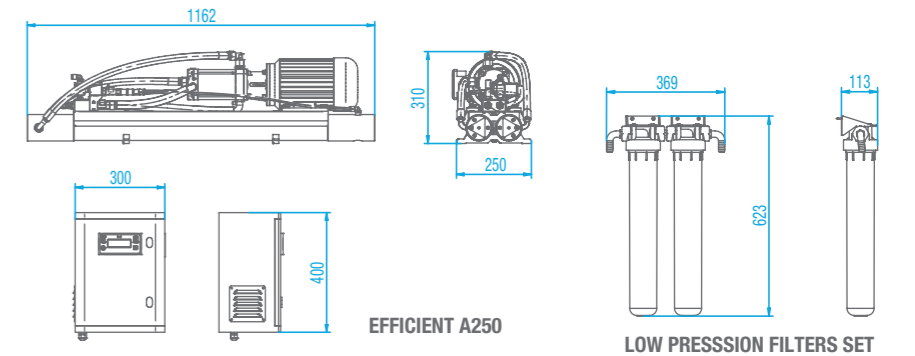
	60		90		120
CONFIGURATION	BASIC	STANDARD	BASIC	STANDARD	STANDARD
WEIGHT	34 kg	35 kg	37 kg	43 kg	45 kg
POWER	12 V DC / 24 V DC / 220 V AC / 110 V AC		12 V DC / 24 V DC / 220 V AC / 110 V AC		24 V DC / 220 V AC / 110 V AC
CONSUMPTION*	25 A / 12 V - 12,5 A / 24 V - 1,6 A / 220 V		45 A / 12V - 22,5 A / 24V - 2,4 A / 220V		28,5 A / 24V - 2,8 A / 220V
FEEDING FLOW	600	600	900	900	1000
PRODUCTION*	60	60	90	90	120
MEMBRANES	1x2540	1x2540	2x2540	2x2540	1x3040
FEATURES					
Automatic pressure regulation	✓	✓	✓	✓	✓
Manual fresh flush	✓		✓		✓
Automatic fresh flush				✓	✓
Production regulation				✓	✓
Programming mode				✓	✓
Options	- Automatic fresh flush - remote control available with this option - Maintenance kit - 3 way wintering valve		- Remote control - Maintenance kit - 3 way wintering valve		- Remote control - Maintenance kit - 3 way wintering valve

* Results obtained in standard conditions, sea water salinity 35.000 ppm and water temperature at 25°C

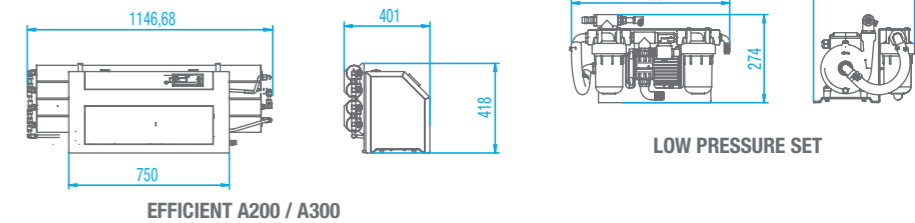
NAVIGATION WITHOUT LIMITS

Technical specifications and dimensions

Modular 250



Compact 200 / 300



Watermaker

Efficient-A A200 / A250 / A300



- Energy recovery up to 80%
- Minimal electric consumption
- Minimal nominal production
200 l/h – 250 l/h – 300l/h
- Fully automatic model
- Available in 220 V / 380 V
- Manual mode
- Compatible with an inverter
- Easy to install

The EFFICIENT range offers our patented energy recuperation system in all its models.

This range is fully automatic; using several sensors it self-regulates for optimal production. Even though the degree of automation is outstanding, it can be easily operated in manual mode. The digital screen allows to monitor all the necessary parameters to conduct a complete analysis of its operation.

This range has two compact models 200 l/h and 300 l/h and a modular model of 250 l/h.

A sophisticated model that combines technology and design.

	A - 200	A - 250	A - 300
CONFIGURATION	COMPACT	MODULAR	COMPACT
WEIGHT	82 kg	80 kg	89 kg
POWER	220 V AC / 380 V AC	220 V AC / 380 V AC	220 V AC / 380 V AC
CONSUMPTION*	4,2 A / 220 V	4,25 A / 220 V	4,3 A / 220V
FEEDING FLOW	900 l/h	1000 l/h	1200 l/h
PRODUCTION*	200	250	300
MEMBRANES	3x2540	2x3040	4x2540
FEATURES			
Automatic pressure regulation	✓	✓	✓
Automatic operating system	✓	✓	✓
Salinity control	✓	✓	✓
Warning filter conditions	✓	✓	✓
Working hour counter	✓	✓	✓
Emergency mode	✓	✓	✓
Automatic and programmable fresh flush	✓	✓	✓
Options			
- Digital remote control			
- 3 way production valve			
- 3 way winering valve			

* Results obtained in standard conditions, sea water salinity 35.000 ppm and water temperature at 25°C



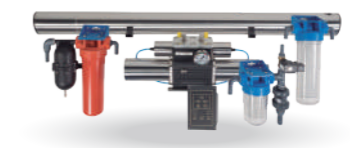
Options



Watermaker
splash
25 / 30S



Watermaker
Water-Pro Compact
60 / 90



Watermaker
Water-Pro Modular
60 / 90 / 120



Watermaker
Efficient
A200 / A250 / A300



CARBON FILTER

Removes the chlorine from fresh water during the flush, necessary for essential protection of the membranes.



MAINTENANCE KIT

This kit includes the spare parts for one year of navigation.
Splash y Water-Pro:
1 Booster pump / 2 filters 5 microns / 1 carbon filter / 250 g membrane conservative.
Efficient:
2 filters 25 microns / 2 filters 5 microns / 1 carbon filter / 250 g membrane conservative.



3-WAY PRODUCTION VALVE

This valve streams the produced water to the tank or to the kitchen.



REMOTE CONTROL

Features:
ON / OFF / FLUSH.



FRESH FLUSH KIT

This kit automates the fresh flush of the basic models equipped with a manual flush. It includes a solenoid valve, a carbon filter and a control panel; with this option there is possibility of adding a remote control.



3-WAY WINTERING VALVE

Allows easy and comfortable wintering of the unit, by only turning the valve.



HYDRAULIC PANEL

Standard with the Water-Pro range modular models, it includes the low-pressure gauge, flowmeter and a 3-way valve for produced water.



DIGITAL REMOTE CONTROL

Allows reading the flows, the reject, the water quality, the production, the state of the filters and operating the unit.

Option available for

- ✓ **Splash 25**

Option available for

- ✓ **Splash**
- ✓ **Water-pro**
- ✓ **Efficient**

Option available for

- ✓ **Splash**
- ✓ **Water-pro**

Option available for

- ✓ **Splash 25**
- ✓ **Water-pro B60**

Option available for

- ✓ **Splash**
- ✓ **Water-pro**
- ✓ **Efficient**

Included in watermaker

- ✓ **Water-pro Modular**

Option available for

- ✓ **Efficient**