



SPECS SPLASH 25

Installation, packing list, dimensions, and options

SPLASH 25

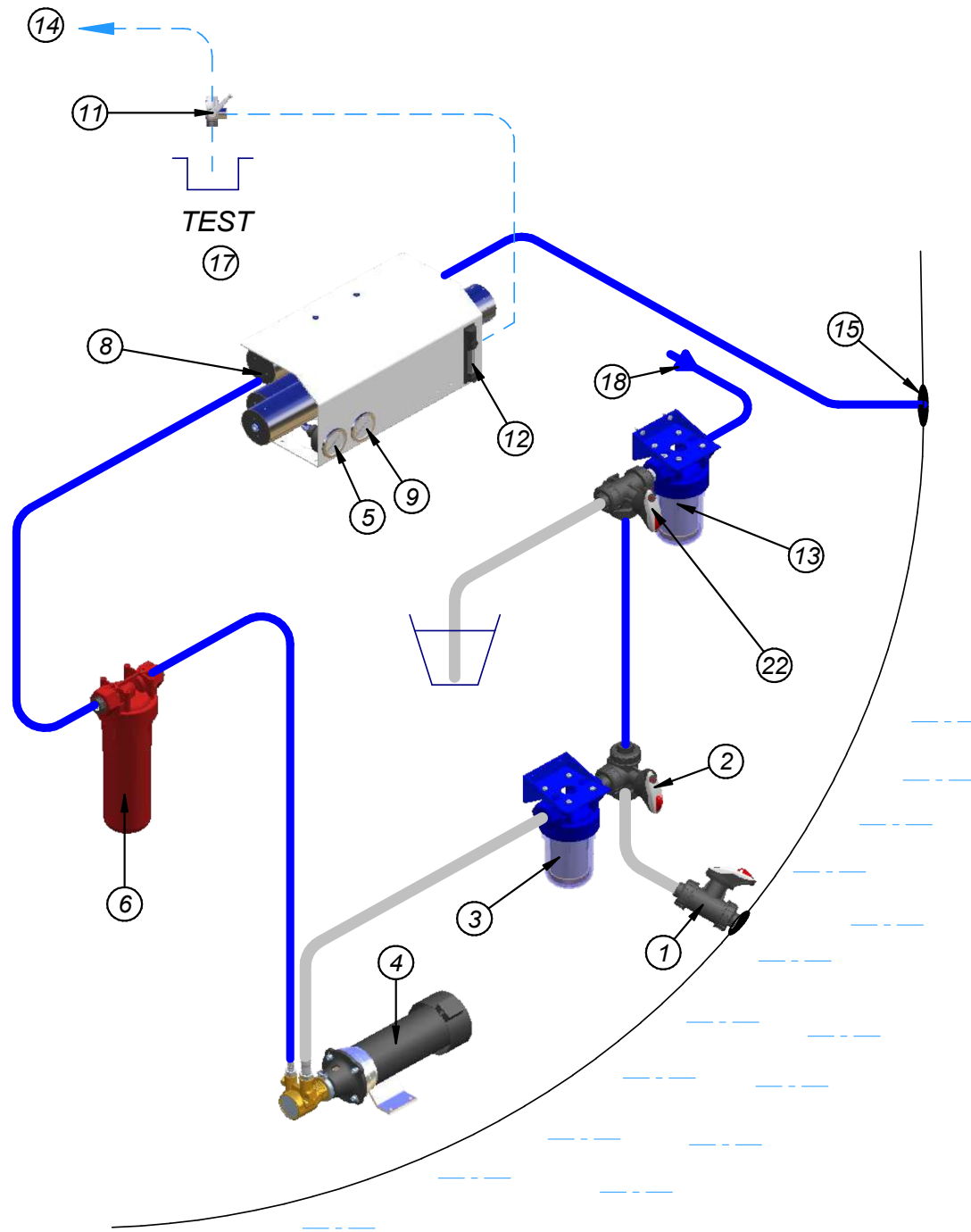
By Eco-systems watermakers

Carrer d'Horta 22 – 08203 Sabadell – Spain

www.eco-systems.com

+34 647 219 510 export@eco-systems.com

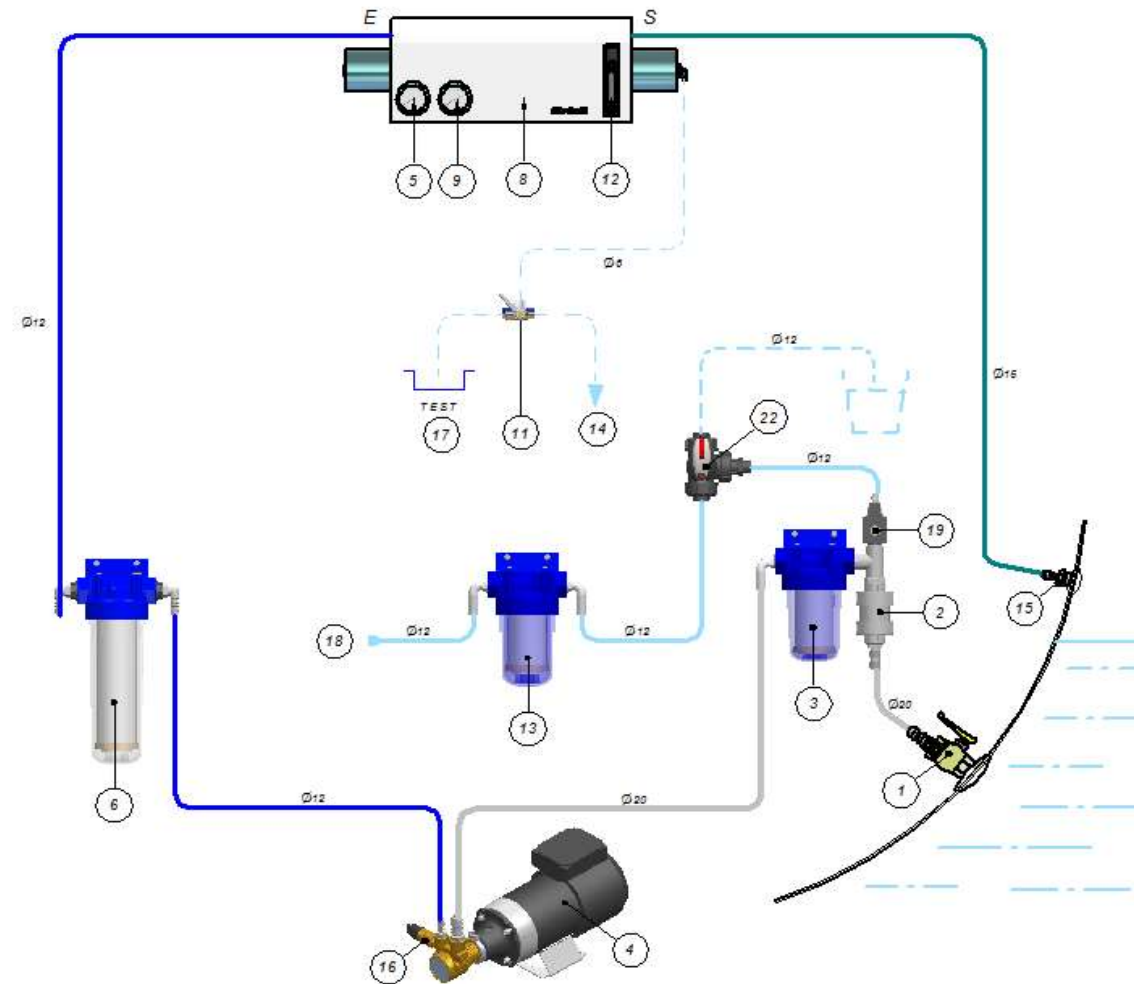
SPLASH 25 – 12 / 24 V INSTALLATION



SYSTEM COMPONENTS

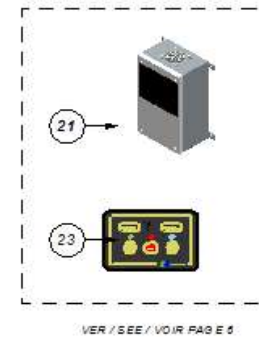
1. - Seacock valve to uptake the sea water
2. - Three way valve
3. – Washable strainer filter
4. - Low pressure booster pump - 12/24V DC motor
5. - Low pressure gauge
6. - 5 microns filter container
8. - High pressure pump with energy recovery
INTEGRAL CERAMIC
9. - High pressure gauge
11. - (OPTIONAL) Three ways valve for the
produced water
12. - Produced water flowmeter
13. - (OPTIONAL) Anti Cl carbon filter.
14. - Produced water output to the tank
15. - Brine discharge thru-hull
17. - Direct produced water output - TEST
18. - Boat freshwater input
22. - (OPTIONAL) Three-way valve for wintering

SPLASH 25 – 12 / 24 V INSTALLATION WITH AUTOMATIC FRESH FLUSH



SYSTEM COMPONENTS

1. - Seacock valve to uptake the sea water
2. - Three way valve
3. - Washable strainer filter
4. - Low pressure booster pump - 12/24V DC motor
5. - Low pressure gauge
6. - 5 microns filter container
8. - High pressure pump with energy recovery INTEGRAL CERAMIC
9. - High pressure gauge
11. - (OPTIONAL) Three ways valve for the produced water
12. - Produced water flowmeter
13. - (OPTIONAL) Anti Cl carbon filter
14. - Produced water output to the tank
15. - Brine discharge thru-hull
17. - Direct produced water output - TEST
18. - Boat freshwater input
19. - Fresh flush solenoid valve
21. - (OPTIONAL) Automatic flushing control box
22. - (OPTIONAL) Three way valve for wintering
23. - (OPTIONAL) Remote control panel



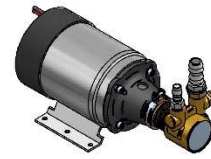
SPLASH-25 12/24V DC (WITH FRESH FLUSH)

SPLASH 25 – 12 / 24 V

PACKING LIST



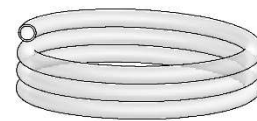
SPLASH 25



LOW PRESSURE
PUMP



STRAINER FILTER
SET



HOSE CLEAR BRAID Ø20



HOSE ½ BLUE



LOW PRESSURE
FILTER SET



TUBE Ø6 x 4 BLUE



4- HOSE CLAMP Ø16/27



10- HOSE CLAMP Ø12/22



CONNECTOR Ø6 TUBE
¼ BSP PLASTIC



ADAPTER ½ BSP
¾ BARB PLSTIC

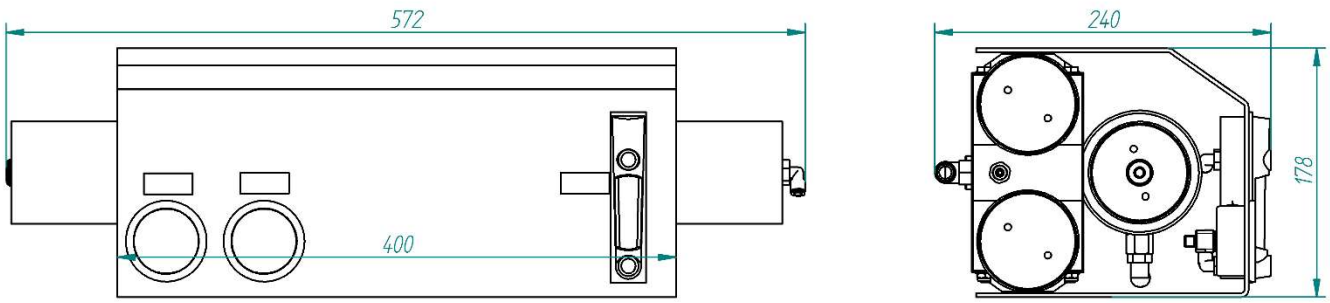


2- ADAPTER ½ BSP
½ BARB PLSTIC

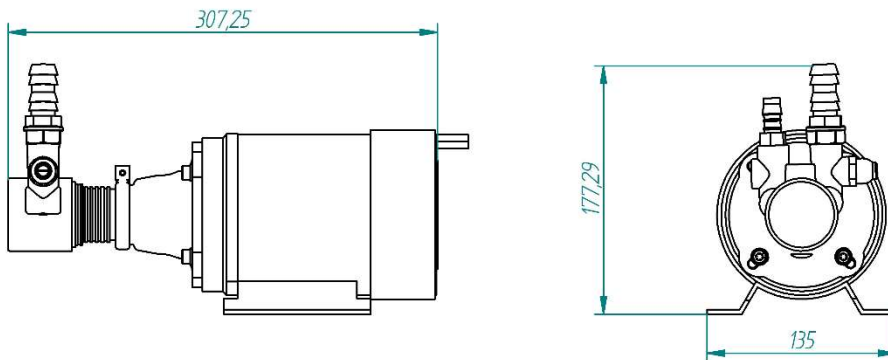


FILTER WRENCH

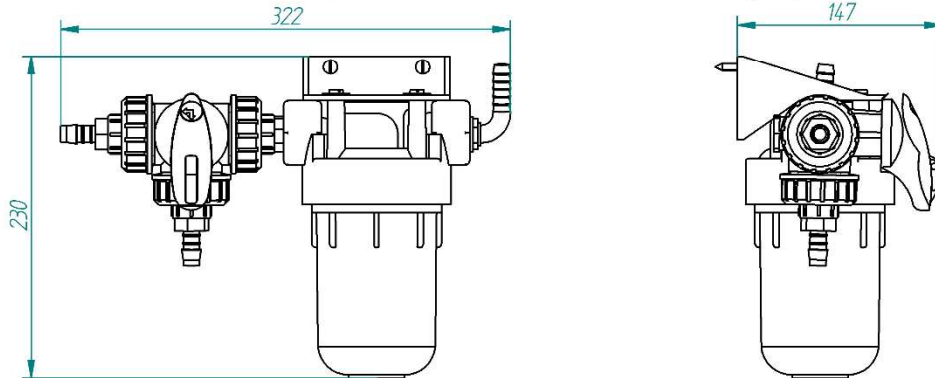
SPLASH 25 – 12 / 24 V DIMENSIONS



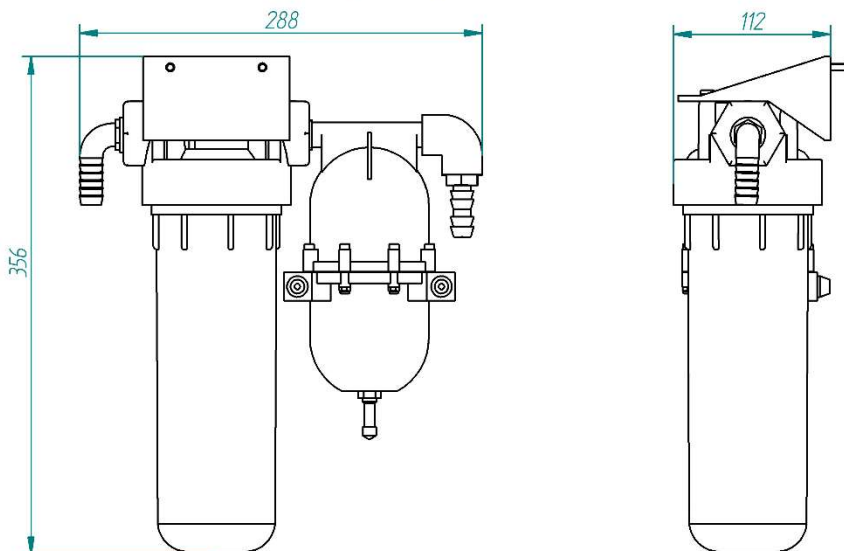
MAIN UNIT



LOW PRESSURE PUMP 12/24 DC

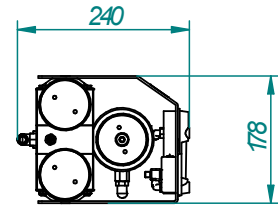
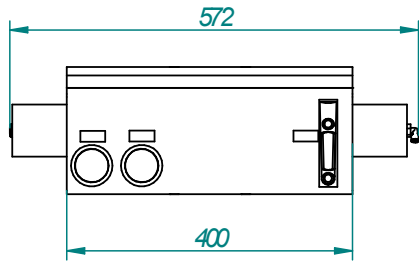


STRAINER FILTER SET

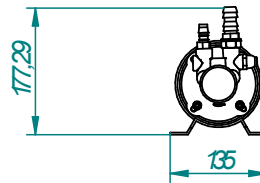
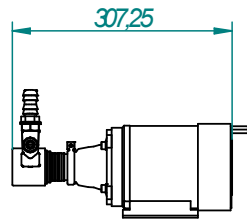


LOW PRESSURE FILTER

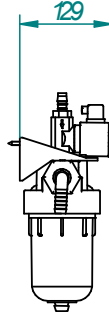
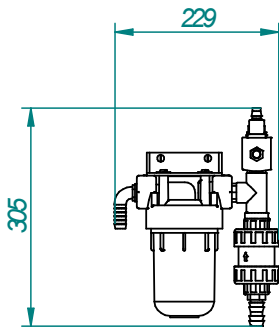
SPLASH 25 – 12 / 24 V DIMENSIONS WITH AUTOMATIC FRESH FLUSH



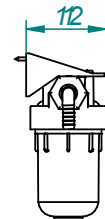
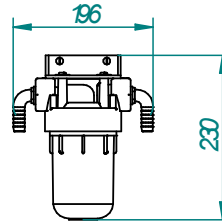
MAIN UNIT



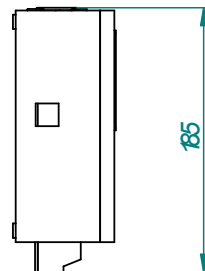
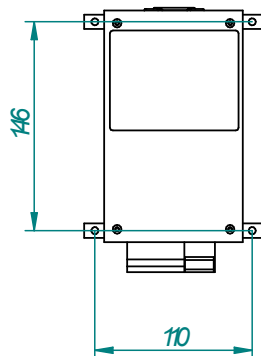
MOTORPUMP 12/24 V DC



SEA STRAINER FILTER



CARBON FILTER



CONTROL PANEL

SPLASH 25 – 12 / 24 V SPECS



Electrical specifications

- 250 W Motor - 12v DC consumption: 13 Amps, 160 W*
- 250 W Motor - 24v DC consumption: 7 Amps, 160 W*
- Average consumption per litre: 6,4W*

*The consumption is estimated and might have some variation depending on the water temperature, salinity and system installation.

Other specifications

- Booster pump minimum inlet pressure: +0,05 bar
- Booster pump outlet pressure: 7,5 – 9,5 bar
- High pressure pump outlet pressure: 40 – 55 bar
- Feed flow: 350 litres /hour
- Average effective production: 25 litres / hour (+/- 10%)
- Conversion: 8 %
- Rejected/permeated ratio: 9 : 1
- Membrane type: 25/21 SPECIAL

SPLASH 25 – 12 / 24 V COMPONENTS' WEIGHT

COMPONENTS	WEIGHT
High pressure pump	14 KG
Motor set	7 KG
Stainer filter set	1.2 KG
Low pressure filter set	1 KG
Carbon filter set	1.2 KG

BASIC MODEL

- Automatic pressure regulation
- Energy recovery high pressure pump
- **Integrated membranes** to the high pressure pump without high pressure pipes
- **Manual fresh flush:** you would only turn a valve into the correct position to perform a fresh flush or pass into production mode. To complete the installation kit, you can add a carbon filter to connect the fresh flush to the hydraulic circuit of the boat to use the water from the main tank.
- **Hydraulic indicators:** Flowmeter, low pressure gauge, high pressure gauge

OPTIONS

Carbon filter

With the carbon filter you can perform a fresh flush with the water from the tank, by only turning a valve.



Automatic fresh flush

With this option you can perform a fresh flush by only pressing a button. The kit includes a solenoid valve, carbon filter and a control panel.

SPLASH 25 – 12 / 24 V OPTIONS



Remote control

Start, flush, and stop the unit from an easy access point **only available with automatic fresh flush option.**

Wintering valve

This valve allows you to winterize your unit the easiest way possible.



Three-way production valve

You can send the produced water to the tank or to the kitchen.

Maintenance kit

In this kit you will find all the spares you need to for one year navigation.

It includes two 5 microns filters, one rotary vane pump, one carbon filter (if installed) and 250 g of membrane conservative.

