

QtLED 75 RETRO

- *The **QT-75 Retro** LED underwater light features an LED projector that can be fitted into existing metal halide underwater lights allowing an easy upgrade to LED without changing the weld-in inserts or hauling the boat.
- *The **QT-75 Retro** LED is designed for boats with the Original weld-in **Bulleyt, UL Ti MATE 70** fixed and **UL Ti MATE 75 SA** ranges from Underwater Lights Limited.
- *With 20,000 lumens of light power and its 90 degree beam angle, installation requires no modification to class approvals and fitting these fixtures can take as little as one hour to totally transform an existing lighting setup.
- *The **QT-75 Retro** LED is available in either the **QT-75 HP** and the **QT-75 RGB+W/ All blue** configuration.
- *The **QT-75 Retro** LED is a completely customisable underwater lighting solution for larger yachts. We offer a bespoke design service tailored for each individual hull.

-  **Maintenance**
Inside the hull
-  **Control Option**
DMX-Color change
On/ Off Switch
-  **Driver**
Remote
-  **Growth Resistant Lens**
Borosilicate Glass
-  **Power**
110-240V AC
-  **Installation**
From inside hull



- Boat Size** 
30 meter +
- Lumens** 
20,000
- Kelvin** 
6,500
- Beam Angle** 
90 Degrees


AVAILABLE
YES


AVAILABLE
YES


AVAILABLE
YES

 **IPX8**
Germanischer Lloyd Underwater







QT-75 Retro

Retrofit LED heat sinks for BULLEYT & UL Ti MATE inserts

Technical

	QT-75 HP3
Lumens	20,000
Kelvin	6,500
Typical LED Life Expectancy	40,000 hrs
Min-Max Operating Voltage	110 - 240V AC
Current / Amp draw	1.4 - 0.7 amps
Driver Type	External
Driver Output	2.8 amps @55v
Control Options	On / Off Switch

Physical

Removal Space Required	170mm (5")
Total weight	6KG (13 lbs)
Driver Dimensions (L x W x H)	8.7" x 4.7" x 3.5" (220 x 120 x 90mm)
Cable Length	10 feet - 3 meters

QT-75 RGB+W & BLUE

Lumens	N.A
Kelvin	N.A
Typical LED Life Expectancy	40,000 hrs
Min-Max Operating Voltage	110 - 240V AC
Current / Amp draw	1.4 - 0.7 amps
Driver Type	External
Driver Output	4 channel @ 36V
Control Options	DMX CONTROL Switch On/Off

Colour

White



Blue



RGB+W



Part Number

BULLEYT

QT-75- RB-W

QT-75- RB-B

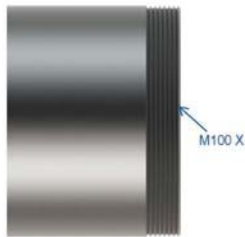
QT-75- RB-RGB+W

UL Ti MATE

QT-75- RU-W

QT-75- RU-B

QT-75- RU-RGB+W



BULLEYT
M100 X 2MM



UL Ti MATE
M105 X 2MM



Your Local Dealer



© 2017 Underwater Lights Limited All Rights Reserved.
Underwater lights limited reserves the right to change specifications without notice.

The Great Dunton Forge, London Road
Dunton Green, Sevenoaks, Kent TN13 2TD UK
T: +44 (0) 1732 455753 • F: +44 (0) 1732 743233
E: uwl@underwaterlights.com

www.underwaterlights.com

VAT NO: 556 4425 31

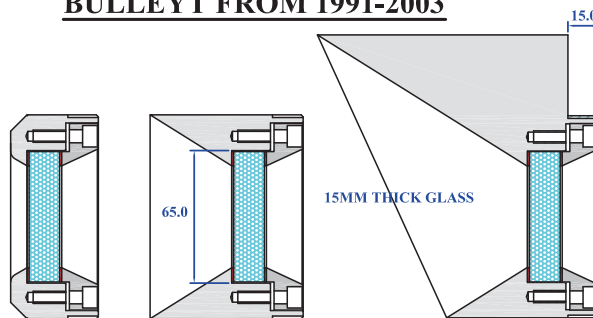
Registered in England No: 2348038

QtLED 75 RETRO

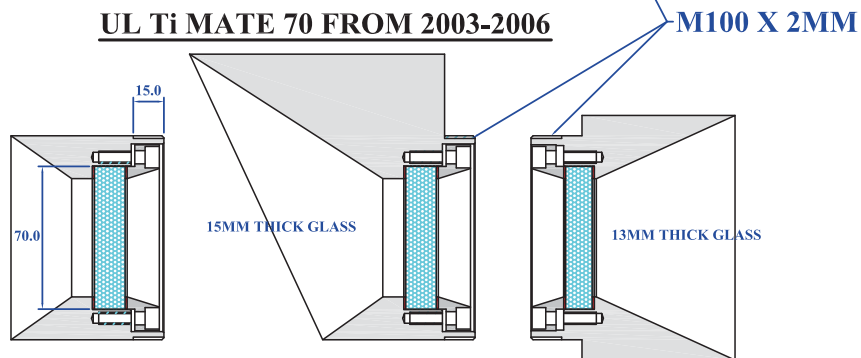
CONVERSION FROM BULLEYS/ UL Ti MATE- TO QT-LED 75



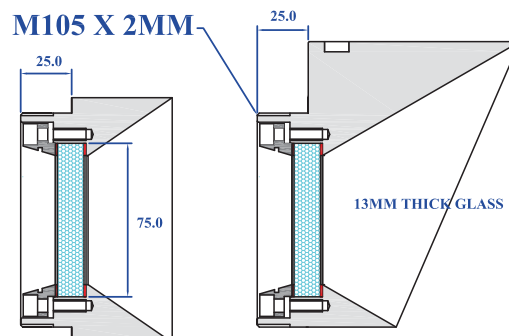
BULLEYT FROM 1991-2003



UL Ti MATE 70 FROM 2003-2006



UL Ti MATE 75 FROM 2006-2014



www.underwaterlights.com

THE QT-LED RANGE IS DESIGNED AND MANUFACTURED BY UNDERWATER LIGHTS LTD IN THE U.K.

QtLED 75 RETRO

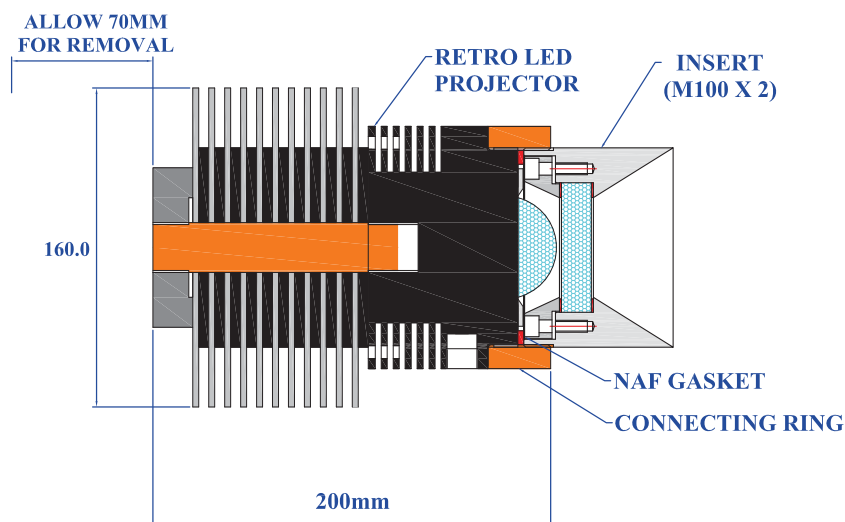
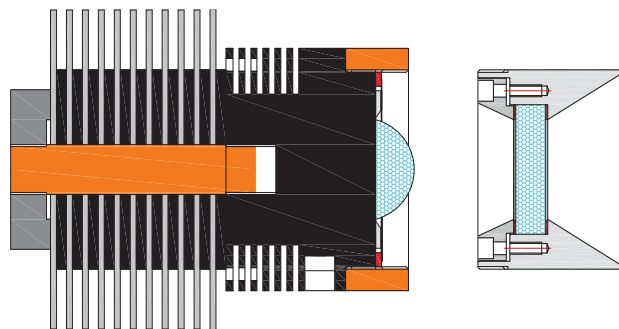
CONVERSION FROM BULLEYT & UL T I M A T E- H I D

* FITTING THE LED PROJECTOR

- * STEP 1 - Remove the original projector and the connecting ring.
- * STEP 2 - Clean the insert thread and glass.
- * STEP 3 - Lightly grease the insert thread with silicone grease.
- * STEP 4 - Screw the LED projector firmly onto the insert. Ensure the gasket is in place.

* ELECTRICAL INSTRUCTIONS.

- * STEP 1 - Remove the original ballast enclosure and replace with the LED driver enclosure.
- * STEP 2 - Connect the main power supply to the driver and plug the LED projector into the socket.
- * STEP 3 - The LED light is now ready to be switched on.



FROM 1991 TO 2003

Bulleys 316L Stainless Steel



ORDERING NUMBER FOR 120 VOLT AND 230 VOLT MODELS

A00310-120, A00324-120, A00338-120, A00350-120

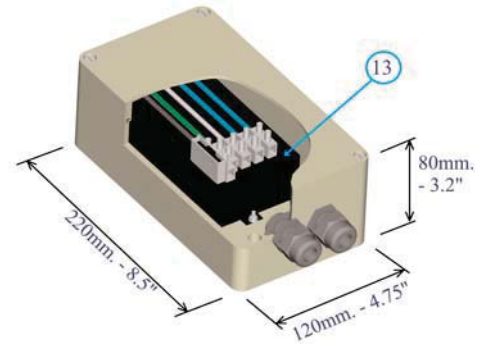
A00310-230, A00324-230, A00338-230, A00350-230

OPERATIONAL CONDITIONS AND CONSIDERATIONS

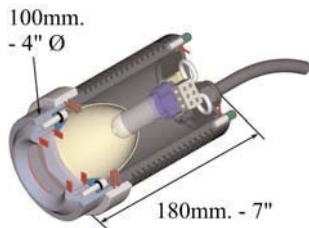
- The Bulleyt is serviced from inside the hull. Allow access for maintenance and space for ventilation.
- Do not use the Bulleyt in dry-dock or out of the water.
- Allow a minimum of 70mm behind the projector lid (item 2) for lamp replacements.
- Do not attempt to remove the glass lens while afloat.
- The projector must be correctly assembled with lid and secured to the Bulleyt whilst afloat.

ELECTRICAL INFORMATION

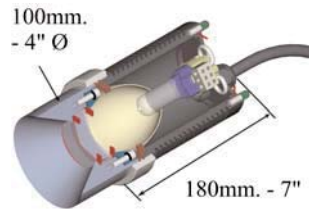
- Cable specification from electronic ballast to projector (Pt.No. S00111) Shielded 3 core, Temperature -60C to +180C, Voltage 2000 volts.
- Maximum distance between ballast and projector with the shield earthed 20 meters.
- 120 volt 150 watt ballast - running current 1.5 amps
- 230 volt 150 watt ballast - running current 0.75 amps



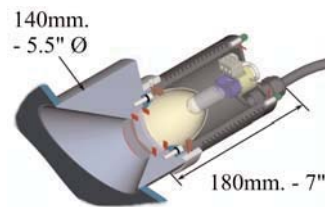
ELECTRONIC BALLAST COMPLETE WITH ALUMINIUM ENCLOSURE -S00800-120 OR 230



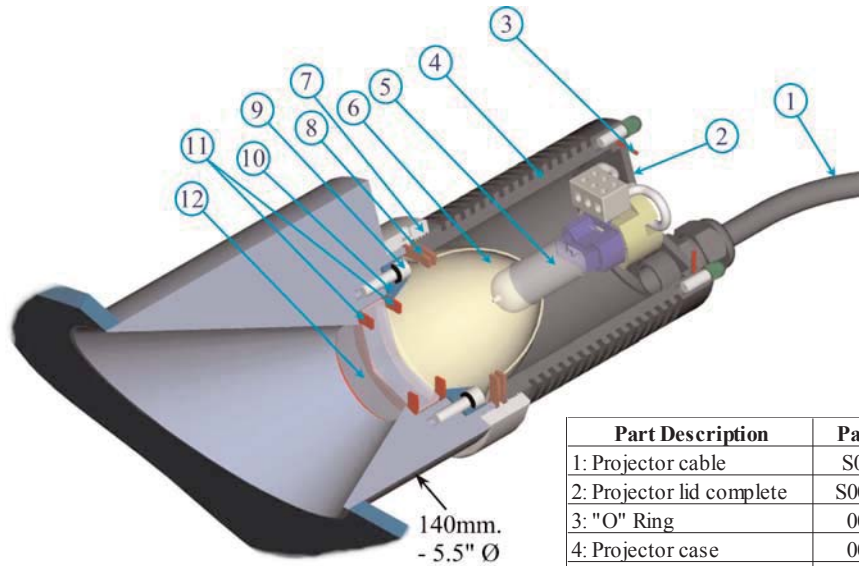
FLUSH - A00310



0-24 DEGREE - A00324



24-38 DEGREE - A00338



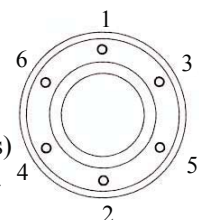
50 DEGREE - A00350

Recommended Spares	Part No
Lamp (150w HQI)	91004
Glass with gaskets	S00C01-2
Electronic ballast-120v	S00801-120
Electronic ballast-230v	S00801-230

Part Description	Part No
1: Projector cable	S00111
2: Projector lid complete	S00C102
3: "O" Ring	00108
4: Projector case	00101
5: Lamp (150w HQI)	91004
6: Reflector	91791
7: Connecting ring	000C03
8: Gaskets	000C07
9: S.S. M6 socket screws	93306
10: Glass retaining ring	000C04
11: Gaskets	000C02
12: Glass	000C01
13: Electronic ballast-120v	S00801-120
13: Electronic ballast-230v	S00801-230

LENS FITTING INSTRUCTIONS

- Check the glass landing surface is clean and apply a suitable silicone grease to the gaskets. Fit the glass, gaskets and retaining ring as shown above. Hand tighten the screws with a 5mm "Allen key" making sure the glass retaining ring is square. Torque the screws to 7Nm (5.1ft/lbs) in the sequence shown, check the ring again and re-torque the screws again to the same setting.



PLEASE REGISTER YOUR PRODUCT WARRANTY DIRECT TO WWW.REGISTER-UWL.COM
 FOR TECHNICAL INFORMATION PLEASE EMAIL T@UNDERWATERLIGHTS.COM
 SALES, PRODUCT INFORMATION AND NEWS GO TO WWW.UNDERWATERLIGHTS.COM

BULLEYT



FROM 2003 TO 2005

UL Ti MATE 70 316L Stainless Steel



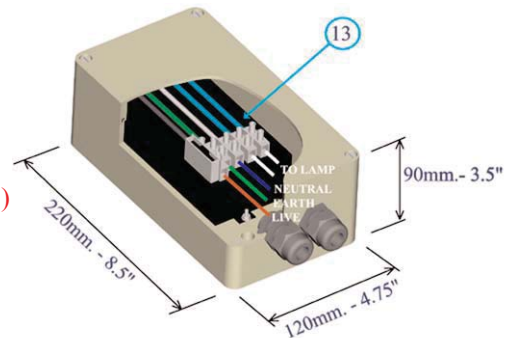
ORDERING NUMBERS FOR 100-277 VOLT 150 WATT LIGHTS
 FLUSH - S00310-70A-V1, 20 DEGREE - S00320-70A-V1,
 24-38 DEGREE - S00338-70A-V1, 50 DEGREE - S00350-70A-V1

OPERATIONAL CONDITIONS AND CONSIDERATIONS

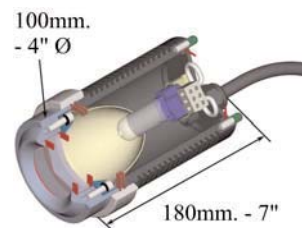
- The UL Ti MATE is serviced from inside the hull. Allow access for maintenance and space for ventilation.
- Do not use the UL Ti MATE in dry-dock or out of the water
- Allow a minimum of 70mm behind the projector lid (item 2) for lamp replacements.
- UL Ti MATE to be fitted 250mm below the yacht's water line when loaded with 50% fuel and 50% freshwater onboard.
- Do not attempt to remove the glass lens while afloat.
- The projector must be correctly assembled with lid secured to the UL Ti MATE 70 whilst afloat.

ELECTRICAL INFORMATION

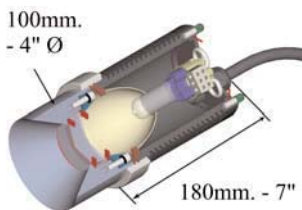
- Cable specification from electronic ballast to projector (Pt.No. S00111) Shielded 3 core, Temperature -60C to +180C, Voltage 2000 volts.
- Maximum distance between ballast and projector with the shield earthed 10 meters.
- Ballast power 100/277 volt 150 watt ballast - running current 2.0/07.A
- Ballast will not ignite a hot lamp. The ballast has a cycle of three attempts to ignite the lamp then will wait for four minutes before repeating the cycle.



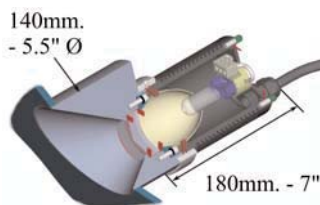
ELECTRONIC BALLAST COMPLETE WITH IP65 ENCLOSURE -S00800-V1W2 (V1=100-277 VOLTS, W2=150 WATTS)



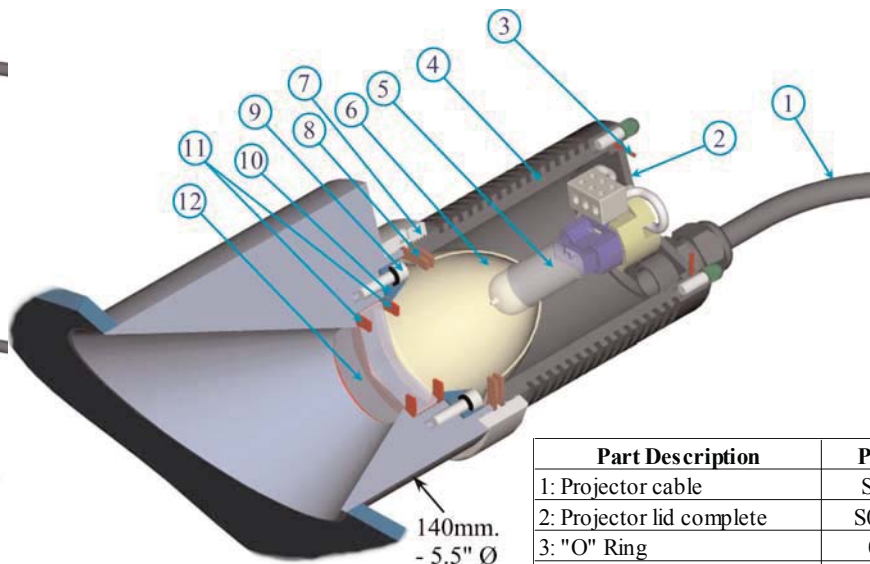
FLUSH - S00310-70A



20 DEGREE - S00320-70A



24-38 DEGREE - S00338-70A



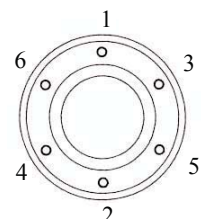
50 DEGREE - S00350-70A

Recommended Spares	Part No
Lamp (150w HQI)	91205
Glass with gaskets	S00C01-70A
Electronic ballast	95322

Part Description	Part No
1: Projector cable	S00111
2: Projector lid complete	S00C102
3: "O" Ring	00108
4: Projector case	00101
5: Lamp (150w HQI)	91205
6: Reflector	91791-1A
7: Connecting ring	000C03
8: Gaskets	000C07
9: S.S. M6 socket screws	93334
10: Glass retaining ring	00304-70A
11: Gaskets	00278-A
12: Glass	00280-70A
13: Electronic ballast-100/277v	S00800-V1W2

LENS FITTING INSTRUCTIONS

- Check the glass landing surface is clean and apply a suitable silicone grease to the gaskets. Fit the glass, gaskets and retaining ring as shown above. Hand tighten the screws with a 5mm Allen key making sure the glass retaining ring is square. Torque the screws to 7Nm (5.1ft/lbs) in the sequence shown, check the ring again and re-torque the screws again to the same setting.



UL Ti MATE

PLEASE REGISTER YOUR PRODUCT WARRANTY DIRECT TO WWW.REGISTER-UWL.COM
 FOR TECHNICAL INFORMATION PLEASE EMAIL T@UNDERWATERLIGHTS.COM
 SALES, PRODUCT INFORMATION AND NEWS GO TO WWW.UNDERWATERLIGHTS.COM

UL Ti MATE

QtLED 75 RETRO

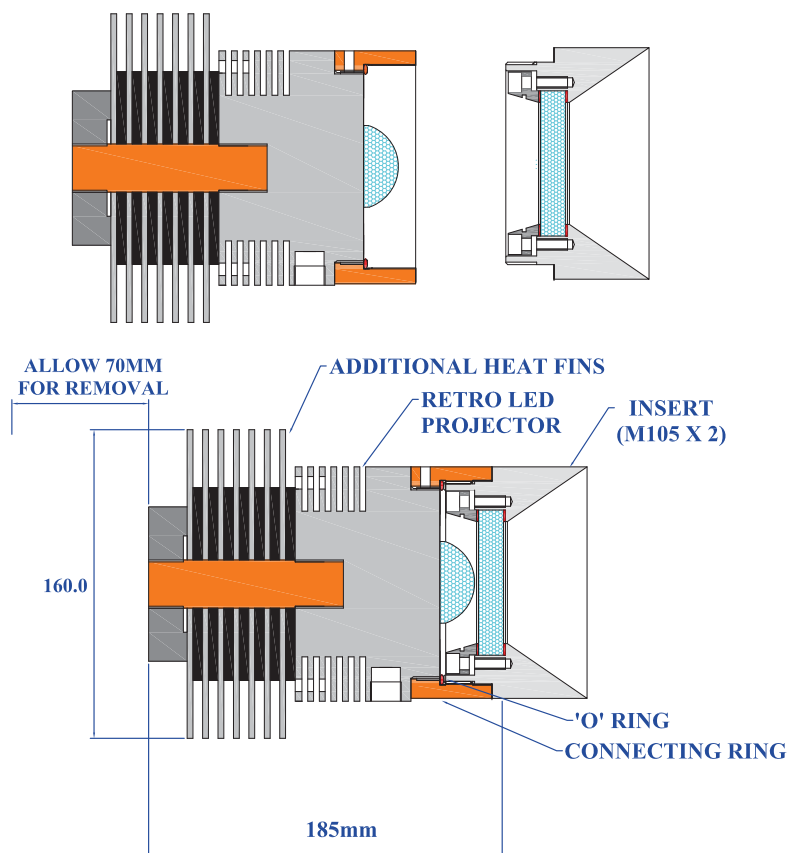
CONVERSION FROM UL TIMATE- TO QT-LED

* FITTING THE LED PROJECTOR

- * STEP 1 - Remove the original projector and the connecting ring.
- * STEP 2 - Clean the insert thread and glass.
- * STEP 3 - Lightly grease the insert thread with silicone grease.
- * STEP 4 - Screw the LED projector firmly onto the insert. Ensure the 'O' ring is in place.

* ELECTRICAL INSTRUCTIONS.

- * STEP 1 - Remove the original ballast enclosure and replace with the LED driver enclosure.
- * STEP 2 - Connect the main power supply to the driver and plug the LED projector into the socket.
- * STEP 3 - The LED light is now ready to be switched on.



FROM 2005 TO 2014

316 S.S. UL Ti MATE 75 SA-ICE 'submersible through hull light'

ORDERING NUMBERS

FLUSH - S00300-75-SA-ICE. 30 DEG - S00330-75-SA-ICE. 50 DEG -S00350-75-SA-ICE
WITH 120 (V3) / 230 (V2) VOLT BALLAST AND 150W (W2) OR 250W (V2,W1) WATT LAMP.



OPERATIONAL CONDITIONS AND CONSIDERATIONS

- The UL Ti MATE 75 SA is serviced from inside the hull. Allow access for maintenance and space for ventilation.
- Do not attempt to remove the glass lens while afloat.
- Do not use the UL Ti MATE™ in dry-dock or out of water
- The projector must be correctly assembled with lid secured to the UL Ti MATE™ whilst afloat.
- Allow a minimum of 170mm behind the cable gland for lamp replacements on 150w and 150mm behind the ignitor on 250w.

- UL Ti MATE™ to be fitted a minimum of 250mm below the yacht's water line when loaded with 50% fuel and 50% freshwater onboard

ELECTRICAL INFORMATION

- **150 WATT** Maximum distance between ballast and projector -10 meters
- **250 WATT** Maximum distance between ballast and projector - 10 meters.
- Ballast power 150 watt ballast 120/230 volt, running current 1.4/0.7.A
- Ballast power 250 watt ballast 230 volt, running current 1.2.A
- Ballast will not ignite a hot lamp. The ballast has a cycle of three attempts to ignite the lamp then will wait for six minutes before repeating the cycle.
- Ballast must be installed in dry space. Maximum ambient temperature 40C
DO NOT swich ballast on and off.

CABLE SPECIFICATION TO PROJECTOR

- High temperature (180C) silicone screened three core. Cable diameter 9mm

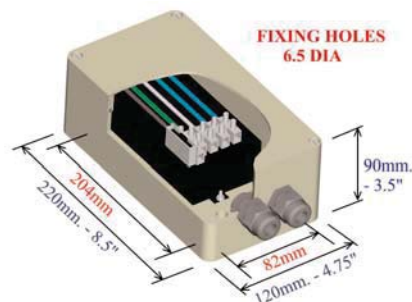
PART NUMBER

S00111-180 EWKF 3G0,0.75

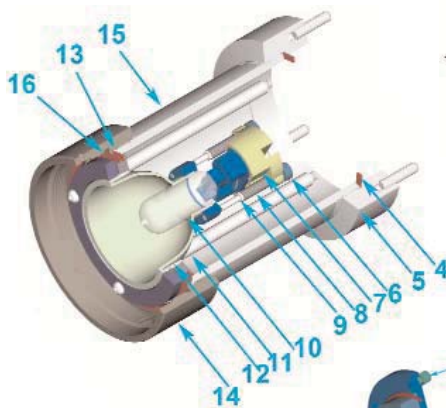
Part Description 75-SA	Part No
1: Projector lid securing plate	00283-B
2: M6 Nut	93381
3: 'O' Ring	00108
4: Gasket NAF	00285-A
5: Connecting ring	00274-C
6: Lamp holder screw	00290
7: Lamp holder (250W)	91195
7: Lamp holder (150W)	91191
8: Reflector collar bush	00288-A
9: M4 Lock nut	93374
10: Lamp (250W)	91209
10: Lamp (150W)	91210
11: Reflector adjustment rod	00284
12: Reflector complete	S91791
13: Gasket NAF	00285-A
14: AB2 Connecting ring	00503-75-A
15: Projector barrel	00101-C
16: Gasket NAF	000C07-B
30: Glass gaskets NAF	00286-A
31: Glass lens	00281
39: Body Flush (s.s.)	S00300-75 ICE
40: Body 50 deg (s.s.)	S00350-75-B ICE
41: Body 30 deg (s.s.)	S00330-75 ICE
42: Glass retaining ring	00304-ICE 75B
43: Cap head screws	93334

Part Description 75-SA	Part No
22: Gland	92011
23: Projector cover	00102-E
24: Ballast 250 watt 230v	S00820-V2 W1
24: Ballast 150 watt 230v	S00800-V2W2
24: Ballast 150 watt 120v	S00800-V3W2

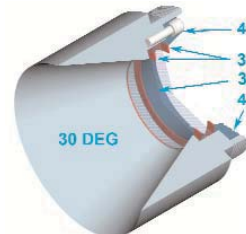
Recommended Spares	Part No
Lamp (250w = W1)	91209
Lamp (150w = W2)	91210
Glass with gaskets	S00281-A
Ballast	



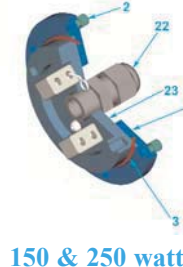
120 & 230 VOLTAGE SUPPLY FOR 150 & 250 WATT ELECTRONIC BALLAST COMPLETE WITH ENCLOSURE .



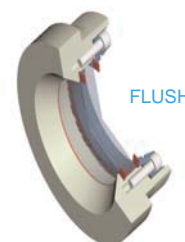
S00350-75 ICE (40)



S00330-75 ICE (41)



150 & 250 watt

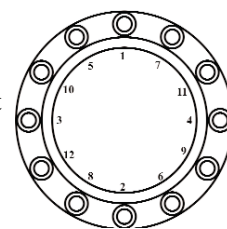


FLUSH

S00300-75 ICE (39)

LENS FITTING INSTRUCTIONS

- Check the glass landing surface is clean and apply a suitable silicone grease to the gaskets. Fit the glass, gaskets and retaining ring as shown above. Hand tighten the screws with a 5mm "Allen key" making sure the glass retaining ring is square. Torque settings for all retaining screws - 7 Nm (5.1 ft/lbs). Torque the screws in the sequence shown. Check the ring again and re-torque the screws again to the same torque setting.



TM Underwater lights limited



PLEASE REGISTER YOUR PRODUCT WARRANTY DIRECT TO WWW.REGISTER-UWL.COM
FOR TECHNICAL INFORMATION PLEASE EMAIL T@UNDERWATERLIGHTS.COM
SALES, PRODUCT INFORMATION AND NEWS GO TO WWW.UNDERWATERLIGHTS.COM





5083 ALU UL Ti MATE 75 SA 'submersible through hull light'



ORDERING NUMBERS

FLUSH - S00600-75-SA. 30 DEG - S00630-75-SA. 50 DEG - S00650-75-SA
WITH 120 (V3) / 230 (V2) VOLT BALLAST AND 150W (W2) OR 250W (V2,W1) WATT LAMP.

OPERATIONAL CONDITIONS AND CONSIDERATIONS

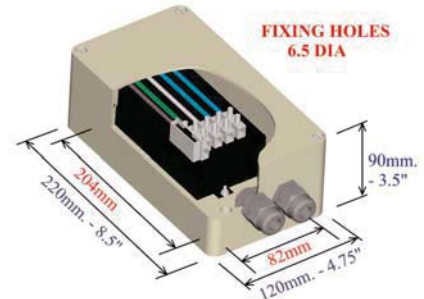
- The UL Ti MATE 75 SA is serviced from inside the hull. Allow access for maintenance and space for ventilation.
- Do not use the UL Ti MATE™ in dry-dock or out of water
- Allow a minimum of 170mm behind the cable gland for lamp replacements on 150w and 150mm behind the ignitor on 250w
- UL Ti MATE™ to be fitted 250mm below the yacht's water line when loaded with 50% fuel and 50% freshwater onboard.
- Do not attempt to remove the glass lens while afloat.
- The projector must be correctly assembled with lid secured to the UL Ti MATE™ whilst afloat.

ELECTRICAL INFORMATION

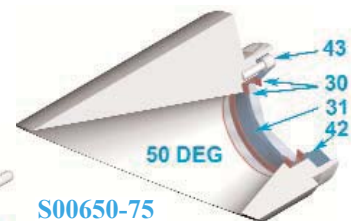
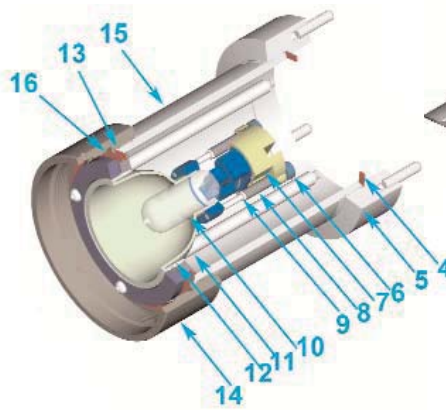
- **150 WATT** Maximum distance between ballast and projector -10meters
- **250 WATT** Maximum distance between ballast and projector - 25 meters.
- Ballast power 150 watt ballast 120/230 volt, running current 1.4/0.7.A
- Ballast power 250 watt ballast 230 volt, running current 1.2.A
- Ballast will not ignite a hot lamp. The ballast has a cycle of three attempts to ignite the lamp then will wait for six minutes before repeating the cycle.
- Ballast must be installed in dry space. Maximum ambient temperature 40C DO NOT switch ballast on and off.

CABLE SPECIFICATION TO PROJECT

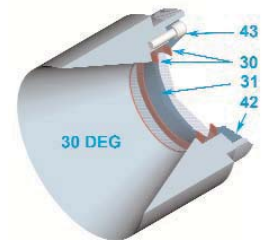
- High temp silicone three core part number. S00111



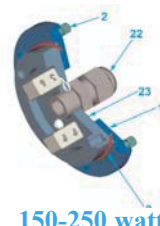
150 WATT ELECTRONIC BALLAST COMPLETE WITH ENCLOSURE. SEE BALLAST SHEET FOR FURTHER INFORMATION



S00650-75



S00650-75



150-250 watt



FLUSH

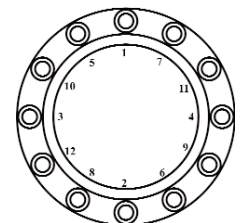
Part Description 75-SA	Part No
1: Projector lid securing plate	00283-B
2: M6 Nut	93381
3: 'O' Ring	00108
4: Gasket NAF	00285-A
5: Connecting ring	00274-C
6: Lamp holder screw	00290
7: Lamp holder (250W)	91195
7: Lamp holder (150W)	91191
8: Reflector collar bush	00288-A
9: M4 Lock nut	93374
10: Lamp (250W)	91209
10: Lamp (150W)	91210
11: Reflector adjustment rod	002842-
12: Reflector complete	S91791
13: Gasket NAF	00285-A
14: AB2 Connecting ring	00503-75A
15: Projector barrel	00101-D
16: Gasket NAF	000C07-B
30: Glass gaskets NAF	00286-A
31: Glass lens	00281
39: Body Flush (alu)	S00600-75
40: Body 50 deg (alu)	S00650-75-B
41: Body 30 deg (alu)	S00630-75
42: Glass retaining ring	00604-75-B
43: Cap head screws	93460-SC

Part Description 75-SA	Part No
22: Gland	92010
23: Projector cover	00102-E
24: Ballast 250 watt	S00820-V2W1
24: Ballast 150 watt 230v	S00800-V2W2
24: Ballast 150 watt 120v	S00800-V3W2

Recommended Spares	Part No
Lamp (250w = W1)	91209
Lamp (150w = W2)	91210
Glass with gaskets	S00281-A
Ballast	S00801-V2/V3

LENS FITTING INSTRUCTIONS

- Check the glass landing surface is clean and apply a suitable silicone grease to the gaskets. Fit the glass, gaskets and retaining ring as shown above. Hand tighten the screws with a 5mm "Allen key" making sure the glass retaining ring is square. Torque settings for all retaining screws - 7 Nm (5.1 ft/lbs). Torque the screws in the sequence shown. Check the ring again and re-torque the screws again to the same torque setting.



PLEASE REGISTER YOUR PRODUCT WARRANTY DIRECT TO WWW.REGISTER-UWL.COM
FOR TECHNICAL INFORMATION PLEASE EMAIL T@UNDERWATERLIGHTS.COM
SALES, PRODUCT INFORMATION AND NEWS GO TO WWW.UNDERWATERLIGHTS.COM



underwater lights limited™