





Nauticus

Incorporated®



NAUTICUS INCORPORATED

When Nauticus, Inc. was founded in 2000, we raised the bar for performance boat products. From our headquarters in the Great Lakes region, today we are a leading manufacturer and worldwide supplier of innovative marine accessories offering unparalleled durability and value.

Since the company's inception we have changed the nautical landscape with **SMART TABS**, a fully automatic, boat-specific trim and stabilizer system for smaller craft. We offer 27 **SMART TABS** systems to accommodate most models and styles of boats. Recognizing the need for greater ease when boarding and exiting watercraft, we expanded our product line in 2018 to include **EZ BOARD**, a removable boarding handle for boats and kayaks. The maintenance-free **EZ BOARD** is available in four sizes and fits securely into most fishing rod holders.

The complete line of Nauticus products is available online at www.nauticusinc.com or through marine retailers around the globe.



Nauticus Inc. warrants (to the original purchaser) that **SMART TABS** will improve the overall performance of any planing hull power boat to the consumers satisfaction. Contact Nauticus Inc, at **800-233-0194** for more information.

RAISE YOUR PERFORMANCE EXPECTATIONS



AUTOMATIC PERFORMANCE

Designed to eliminate poor handling and performance issues, **SMART TABS** are much more than a solution to problems: they make a good boat even better.

SMART TABS are a fully automatic, one-of-a-kind trim and stabilizer system designed for boats from 10' to 30'. The continually active system automatically adjusts to water conditions, boat speed and payload without the need for pilot interface. Improvements in acceleration, bow angle ('hole shot'), ride and handling, top speed, and fuel economy are documented by OEM builders and numerous national and international magazine tests. Most important, thousands of consumer testimonials confirm that if you haven't tried **SMART TABS**, you're missing the boat.

OPERATING PRINCIPLE

First, it is important to understand that trim tabs become an extension of the boat's running surface and therefore change the performance and handling characteristics as they adjust. This happens automatically with **SMART TABS** because they react to water pressure, boat speed and payload.

At slow speeds, the plates deploy downward, increasing stern lift to keep the boat more level and allow it to plane more easily. At cruising speeds they are pushed up by the water pressure, but remain under a load creating ride control like shock absorbers. **SMART TABS** self-adjust so there is no need to worry about tab position when pulling a tube, wake board, or skier.

SMART TABS use a nitrogen gas actuator providing smooth adjustment to boating conditions. By nature of design, the actuator produces dampened reaction to compression and extension, impeding response to minor boat movements.

All of this is done without the need for electric or hydraulic connection, feed holes, or manual switches. With **SMART TABS**, all you have to do is drive and enjoy the ride.



**SCAN THE QR CODE WITH YOUR MOBILE DEVICE
TO LEARN MORE.**

VERSATILE BY DESIGN

SMART TABS are boat-specific and can be customized to accommodate special applications. The plate size and actuator resistance (pressure) are determined by boat size and horsepower prior to installation. In addition, each set provides five (5) actuator mounting positions to specifically ‘tune’ the system to suit the specific boat design and pilot preference.

Finding the right size for your boat is easy. Refer to the application chart for each product or visit www.nauticusinc.com and select the ‘**SMART TABS Applications**’ tab to receive a recommendation based on your boat’s specifications.

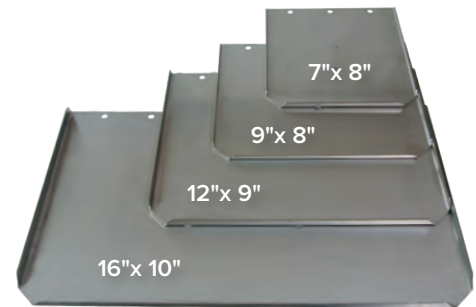
SMART TABS®

ST SERIES

For 10' to 22' boats with up to 240 hp

The original **SMART TABS** are constructed of time-tested, marine-grade stainless steel for durability and performance. The flexible component design provides maximum mounting versatility to achieve ideal operation. As always, sacrificial zinc anodes should be used in prolonged saltwater applications.

- Plates include five (5) actuator mounting positions for further customization
- Adjustable trim plate bracket
- Ideal for contoured transoms
- Each kit includes all components, mounting hardware, sealant materials, templates, and installation instructions



BOAT TYPE	BOAT LENGTH	MOTOR SIZE	MOTOR TYPE	SMART TABS
Small Tenders, Roll Up Inflatables, & RIBs	10', 11', 12'	8 to 15 hp	2 or 4 Stroke	ST780-20 or ST781-20
Small Tenders, & RIBs	10', 11', 12'	20 to 25 hp	2 or 4 Stroke	ST780-30
RIBs, Flats & Bay, Bow Riders, Fish & Ski	13', 14', 15'	30 to 40 hp	2 Stroke	ST980-30
	12', 13', 14'	40 to 50 hp	4 Stroke	ST980-40 or PT980-40
	14', 15', 16'	50 to 80 hp	2 Stroke	
RIBs, Flats & Bay, Bow Riders, Day Cruisers, Fish & Ski, Rescue, Deck	15', 16', 17'+	60 to 135 hp	4 Stroke	ST1290-60 or PT1290-60
	16', 17', 18'+	90 to 150 hp	2 Stroke	
	18' - 22'	150 to 240 hp	2 or 4 Stroke	ST1290-80
Inboard/Outboard	16', 17', 18'+	4 or 6 cyl	Inboard/Outboard	ST1290-60
	18' - 22'	8 cyl	Inboard/Outboard	ST1290-80

SMART TABS II®

ST1610 SERIES

For 23' to 30' boats with 9'10" Max Beam

The SMART TABS II system is designed to increase payload performance and range on heavier boats. Dual actuators create twice the reactive dampening for a smoother ride, even in rough seas.

- Durable marine-grade stainless steel plates
- Larger, heavier plates (16"W x 10" D)
- Withstands loads from 5,000 lbs to 8,500 lbs
- Ideal for low-profile boats with transom widths less than ten (10) feet (trailerable)
- Pre-drilled inserts to accommodate zinc anodes



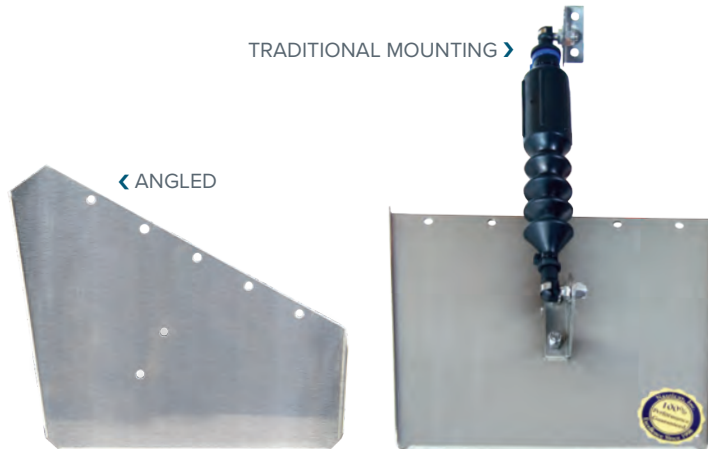
BOAT TYPE	BOAT LENGTH	TRANSOM WIDTH	BOAT WEIGHT	SMART TABS II
Day Cruiser, Rescue, Cuddy Cabin	23' - 30'	9'10" Max Beam	5,000 lb to 6,500 lb	ST1610-120
	23' - 30'	9'10" Max Beam	7,000 lb to 8,500 lb	ST1610-180



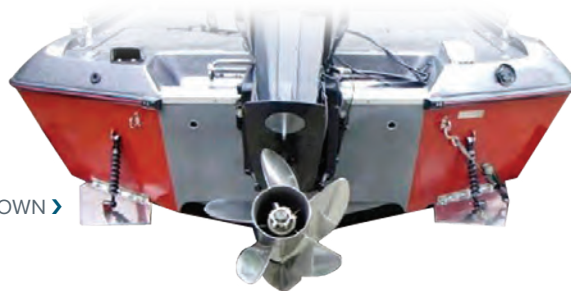
Get to the hole faster with MOBSTER TABS. Ideally suited for Bass Boats, this system automatically reacts to water pressure, lifting the boat during the hole shot and stabilizing high speed runs. MOBSTER TABS produce no drag at high speed because the water pressure pushes them up to a horizontal position to become level with the bottom of the boat.

- Durable marine-grade stainless steel plates
- Choice of traditional or angled transom mounting

TRADITIONAL MOUNTING >



ANGLED TRANSOM MOUNTED TRIM PLATES SHOWN >



BOAT TYPE	BOAT LENGTH	MOTOR SIZE	MOTOR TYPE	MOBSTER TABS	
MOBSTER TABS - Specifically designed for Bass Boats				TRADITIONAL	ANGLED
Bass Boats	16' - 19'+	90 to 150 hp	2 or 4 Stroke	MT1080-60	MT1175-60
	17' - 22'	175 to 250 hp	2 or 4 Stroke	MT1080-80	MT1175-80



The **SMART TABS SX** series incorporates the fully automatic features of original **SMART TABS** with the rust- and corrosion-free benefits of thermo-molded composite materials. This material provides superior strength and resilience for any rough water situation. The SX Series is an excellent choice for both fresh and saltwater.

- Plates include five (5) actuator mounting positions to fine-tune the system
- Maintenance-free construction
- Plates absorb water and become more rugged over time
- No zinc anodes required in saltwater applications



SX9510 SERIES

For 10' to 20' boats with up to 240 hp

Our best-selling **SMART TABS SX** system, the SX9510 series is the ideal solution for many types of boats.

- Plates measure 9.5" W x 10" D
- Ideal for boats weighing up to 3,500 lbs
- Available with black (**SX**) or white (**SXW**) plates
- White plates are UV stable/resistant – will not 'yellow'



BOAT TYPE	BOAT LENGTH	MOTOR SIZE	MOTOR TYPE	SMART TABS SX
RIBs, Flats & Bay, Bow Riders, Fish & Ski	13', 14', 15'	30 to 40 hp	2 Stroke	SX9510-30 / SXW9510-30
	12', 13', 14'	40 to 50 hp	4 Stroke	SX9510-40 / SXW9510-40
	14', 15', 16'	50 to 80 hp	2 Stroke	
RIBs, Flats & Bay, Bow Riders, Day Cruisers, Fish & Ski, Rescue, Deck	15', 16', 17'+	60 to 135 hp	4 Stroke	SX9510-60 / SXW9510-60
	16', 17', 18'+	90 to 150 hp	2 Stroke	SX9510-80 / SXW9510-80
	18' - 20'	150 to 240 hp	2 or 4 Stroke	
Inboard/Outboard	16', 17', 18'+	4 or 6 cyl	Inboard/Outboard	SX9510-60 / SXW9510-60
	18' - 20'	8 cyl	Inboard/Outboard	SX9510-80 / SXW9510-80

SX10512 SERIES

For 21' to 25' boats with up to 350 hp

This larger version of our most popular SMART TABS SX maximizes improvements in handling, ride and efficiency for power boats with heavier engine options and larger hull designs.

- Larger plates (10.5" W x 12" D) include 30% more planing surface
- Heavy-duty hinge design with four (4) mounting bosses
- Increased actuator load capacity



BOAT TYPE	BOAT LENGTH	MOTOR SIZE	MOTOR TYPE	SMART TAB SX10512
Large RIBs, Day Cruisers, Rescue, Deck, Cuddy Cabin	21' - 25'	175 to 220 hp	2 Stroke Outboard	SX10512-70
		150 to 190 hp	4 Stroke Outboard	
		4 or 6 cyl	Inboard/Outboard	
		220 to 350 hp	2 Stroke Outboard	SX10512-90
		200 to 350 hp	4 Stroke Outboard	
		8 cyl	Inboard/Outboard	



“Previously, the boat was very slow to plane, almost too slow to do anything but tube behind it. These (SMART TABS) completely changed how this boat performs. It now planes out in what feels like half the distance and time, easily pulls a slalom skier up from a deepwater start.”

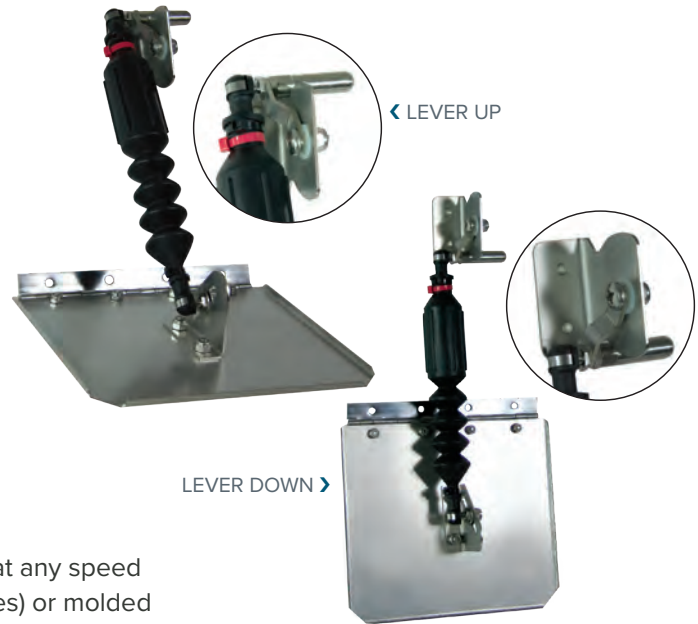
– doghouse01, www.cabelas.com/www.basspro.com

ProTroller SMART TABS®

PT / SXPT SERIES

ProTroller SMART TABS are two products in one. This innovative design simplifies fishing by transforming SMART TABS into trolling brakes with the flip of a lever handle. In the 'up' (retracted) position, ProTroller SMART TABS function as trim tabs. In the 'down' (deployed) position, the plates create equal braking on both sides of the boat. The plates will not break if the tabs are accidentally left down during acceleration. ProTroller SMART TABS are a must-have for the avid fisherman.

- Reduces trolling speed up to 35%
- Maintains steering control
- Eliminates prop restriction and promotes straight tracking at any speed
- Available with either marine-grade stainless steel (PT Series) or molded composite plates (SXPT Series)



WHEN DOWN, THE PROTROLLER SMART TABS ACT AS BRAKES TO REDUCE TROLLING SPEEDS BY UP TO 35% WITHOUT LOSING STEERING CONTROL.

By simply moving a lever up or down, ProTroller SMART TABS switch between the most effective trim and stabilizer system on the market to the most effective trolling brakes on the market.

AVAILABLE IN SX SERIES >



BOAT TYPE	BOAT LENGTH	MOTOR SIZE	MOTOR TYPE	PT SERIES	SX SERIES
RIBs, Flats & Bay, Bow Riders, Fish & Ski	12', 13', 14'	40 to 50 hp	4 Stroke	PT980-40	SXPT9510-40
	14', 15', 16'	50 to 80 hp	2 Stroke		
RIBs, Flats & Bay, Bow Riders, Day Cruisers, Fish & Ski, Rescue, Deck	15', 16', 17'+	60 to 135 hp	4 Stroke	PT1290-60	SXPT9510-60
	16', 17', 18'+	90 to 150 hp	2 Stroke		
	18' - 22'	150 to 240 hp	2 or 4 Stroke	PT1290-60	SXPT9510-60

ACCESSORIES

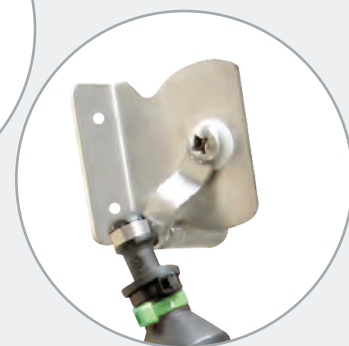
PR500 PLATE RETRACTOR KIT

No more worries about breaking the tabs in shallow water, when beaching a tender or rack storing a boat. The PR500 bracket assembly allows **SMART TABS** to be set in two different positions without the use of any additional tools.

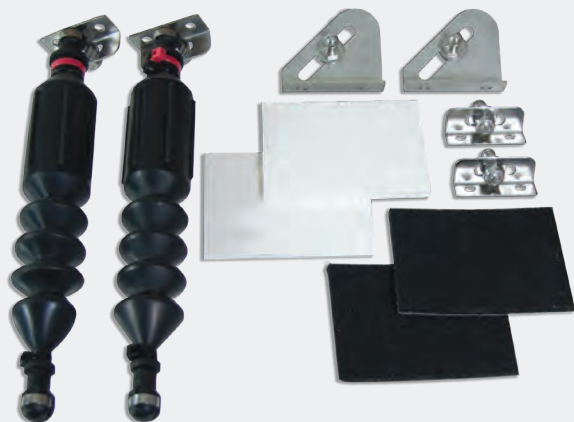
- Functions as trim tabs with bracket handle in the 'down' position
- Fully retracts the tabs with bracket handle in the 'up' position
- Replaces the standard transom bracket (TB1007)
- Suitable for use with any **SMART TABS** or **MOBSTER TABS** system



LEVER UP



LEVER DOWN



CONVERSION KIT

Eliminate the hassle and expense of maintaining and repairing hydraulic or electric components. Convert any existing trim tab system to **SMART TABS** for a surprisingly economical price. Simply remove the existing actuators and add **SMART TABS** actuators.

- No wires, no hydraulic lines and no maintenance
- Includes instructions, all hardware, backing plates, gaskets and actuators
- Not intended for high-profile boats

#CK1820-60 Boats up to 20' & 3000 lb

#CK2125-80 Boats up to 25' & 4750 lb

#CK2627-120 Boats up to 27' & 6000 lb (dual actuators)

#CK2830-160 Boats up to 30' & 8500 lb (dual actuators)

"This item that I purchased is the best thing I ever installed on my boat. These trim tabs should be installed on every boat...Thank you Nauticus, for making a wonderful product."

– Mulligan474, www.cabelas.com/www.basspro.com

SMART TABS ACTUATOR

Think of this component as the heart of the trim tabs. **SMART TABS** use a nitrogen gas pneumatic actuator to automatically react to water pressure, boat speed and payload. Actuators are engineered to withstand harsh sea conditions and provide years of use.*

- Casing is made of black nitrate treated with a rubberized coating
- Life expectancy of black nitrate exceeds stainless steel by up to 28%
- Sealed in an air-tight, chemical- and ultraviolet-resistant EDPM rubber boot
- Color-coded identification system**
- Equipped with system-specific end fittings
- Actuators and end fittings are removable, replaceable and interchangeable

***Note:** For optimal actuator performance and longevity, we recommend routine inspection to ensure the integrity of the rubber boot.

SMART TABS ACTUATOR COLOR CODING SYSTEM FOR EASY IDENTIFICATION



PART NUMBER	COLOR	PRESSURE
GA5000-90 _____**	White	90 lb
GA5000-80 _____**	Black (All)	80 lb
GA5000-70 _____**	Yellow	70 lb
GA5000-60 _____**	Blue	60 lb
GA5000-40 _____**	Red	40 lb
GA5000-30 _____**	Purple	30 lb
GA5000-20 _____**	Green	20 lb

SMART TABS Actuator Color Coding System



****Note:** Add "X" for SX Series **SMART TABS** Add "T" for Stainless Series **SMART TABS**.

ACTUATOR END FITTING IDENTIFICATION

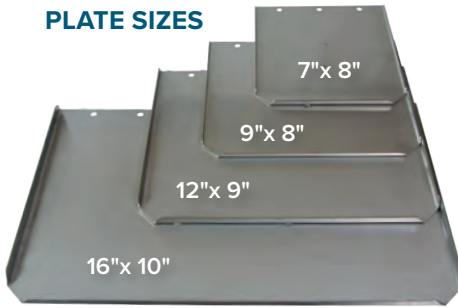
	EF9510-2	Clevis Style for use with the SX Series
	EF-PS-140	Eyelet Style for use with Stainless Series

Note: End fittings are removable, replaceable, and interchangeable.

ASSEMBLED DIMENSIONS AND PARTS IDENTIFICATION

SMART TABS STAINLESS STEEL

PLATE SIZES



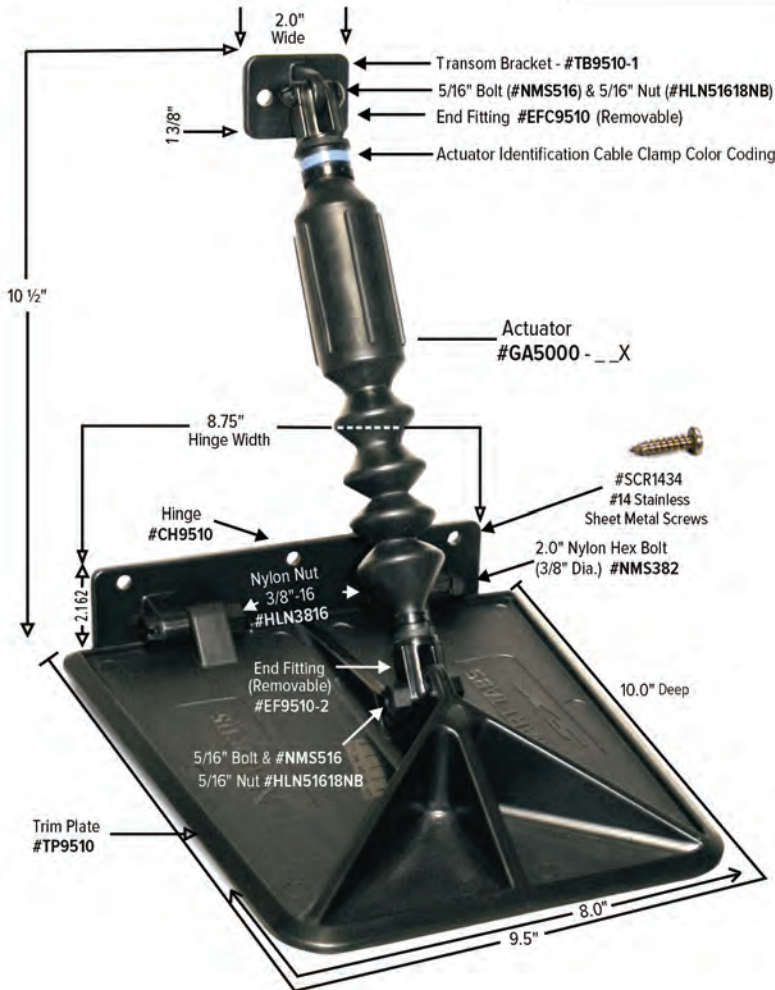
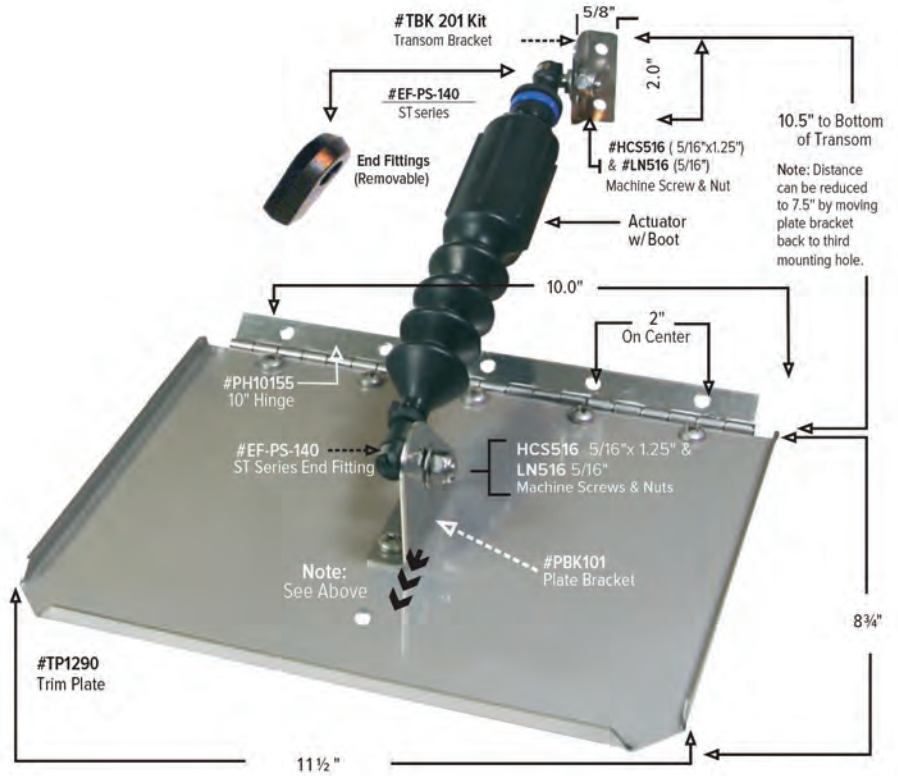
#PH10155 Plate Hinge for ST1290, MT1080, MT1175



#PH8150 Plate Hinge for ST980



#PH6150 Plate Hinge for ST780 & ST781



SMART TABS SX

Part #	Description	Qty.
TP9510	Trim Plate	2 each
CH9510	Hinge	2 each
NMS382	Machine Screw/Bolt Nylon 2.0"	4 each
HLN3816	Nut Nylon 3/8" - 16	4 each
GA5000-__X*	Actuator w boot & end fittings	2 each
*Insert two #'s indicating actuator pressure (ie.GA5000-60X)		
TB9510-1	Transom Bracket	2 each
NMS516	Nylon Bolt 5/16"	4 each
HLN51618NB	Nylon Nut 5/16"	4 each
SCR1434	Stainless Screws #14 x 3/4"	16 each
EF9510-2	End Fitting for Actuator Bottom	Included
EFC9510	End Fitting for Actuator Top	Included

PRODUCT COMPARISON

DESCRIPTION

SMART TABS are self-regulated trim tabs that automatically adjust stern lift, as required, to control boat performance and attitude. The system is constantly active. Boat speed and water pressure adjust the trim plate angle to control the amount of lift. Actuator pressure and plate size can be selected based on boat and engine configuration. **SMART TABS** systems offer up to 35 adjustments and seven (7) trim plate sizes to achieve the desired performance results.

SMART TABS are available in both stainless steel and composite material.

Hydrofoils are a permanently fixed planing device attached to the cavitation flange (often shaped like a “wing”) that provides continuously increasing stern lift as the boat speed increases. Hydrofoils are not adjustable, and often cause excessive lift at cruising speeds and above.

Coil Spring Type Trim Tabs are self-leveling via the use of a ‘coil spring in a tube’. The two (2) systems (one 6" plate and one 10" plate) are said to have application from 10' to 20' boats. The product is made with a composite actuator tube and stainless steel plates. The addition of zinc anodes is recommended for both products when used in salt water.

	SMART TABS	HYDROFOILS	COIL SPRING TYPE
Reduce Bow Rise	50% (Guaranteed)	Min	30% (will differ w/app)
Eliminate Porpoising (without negative trim)	Yes (Guaranteed)	Min	Possible
Easier to Plane	40% (Guaranteed)	15%	17%
Improve Fuel Economy	11%	No	Possible
Maximum Performance Adjustments	12	None	2
Reduce Minimum On-Plane Speed	30%	6%	11%
Faster Acceleration - 0 to 30 MPH (without prop change)	15%	8%	10%
Increase Top Speed (without prop change)	3 to 6 MPH	No	No
Automatic Control (ride, handling, & performance)	Yes	No	Limited
Money Back Performance Guarantee	Yes	No	No
Improve Tracking in Quartering Seas	Yes	No	No
Independent Port and Starboard Adjustment	Yes	No	No

SIMPLE INSTALLATION

Installing any **SMART TABS** system requires only a few common tools. Assembly and installation can be completed on most aluminum, wood, or fiberglass transoms in less than an hour. All components, mounting hardware and installation instructions are included in every kit. Here is all you need to get underway:

- Electric drill with 1/8" or 3/16" drill bit
- Phillips screwdriver
- Adjustable wrench
- Flat head screwdriver (optional)



Free Installation Video
with all SX Series.

“The installation itself took less than 30 minutes. Compared to the cost and installation complexity of electro-hydraulic tabs, these tabs were very well worth their relatively minimal cost.”

– doghouse01, www.cabelas.com/www.basspro.com

INTERACTIVE SELECTION TOOL



SMART CHOICE APP

SMART TABS SELECTOR

We have developed an automated selector application called the “Smart Choice App” for use by everyone from the prospective buyer to the largest retailers and distributors. Scan the QR code with your mobile device to find your **SMART TABS**.



CUSTOMER TESTIMONIALS

“Best money spent on my boat ever. Thank you!”

– **M.G., Bemidji, MN**

“All I can say is thank you...In a nutshell, the boat performance with two (2) 150 hp engines:...comes out of the hole instantly... planes at 2,300 RPM, where before, it would hardly stay up at 3,300 RPM...handling in rough cross wind waves is so much more stable...And I didn’t have to install wiring, hoses, fluid and pump, etc.”

– **G. G., Quebec, Canada**

“...(SMART TABS) work great on my boat, they have saved enough gas to pay for them and then some...”

– **nlane, www.iboats.com**

“Bought (SMART TABS) recently after having a hydrofoil on my engine for 10 yrs. If you are considering a hydrofoil versus these, “DON’T”. These are extremely affordable, good factory assistance, and very reasonable.”

– **cottontopjohn, www.bassproshops.com**

“I have a Lowe Angler 140... porpoised horribly...I decided to try **SMART TABS SX**...Nose stayed down thru hole shot, the boat got up to 23.9 knots and I was amazed! I actually gained on the top end...I haven’t ever enjoyed this boat as much as I do now with the **SMART TABS**. Thanks for a great product.”

– **somethinsFishy, www.cabelas.com/www.basspro.com**



EZ BOARD

REMOVABLE BOAT BOARDING ASSIST HANDLE

EZ BOARD

Removable Boat Boarding Assist Handle

Creating an enjoyable boating experience is our goal at Nauticus. To this effect, we introduced **EZ BOARD**, a boarding handle designed to make boat boarding effortless. **EZ BOARD** attaches easily to any boat and can be readily removed and stowed away. The handle fits securely into most flush-mounted fishing rod holders to provide stability when boarding. **EZ BOARD**'s unique design enables boarding from either the swim platform or the dock, a feature that sets **EZ BOARD** apart from other boarding handles.

- No special tools required
- Made from high-impact corrosion- and UV-resistant PVC
- Assist in maintaining balance while boarding
- Slides easily into and out of most flush mounted rod holders
- Five (5) year replacement warranty
- Made in USA





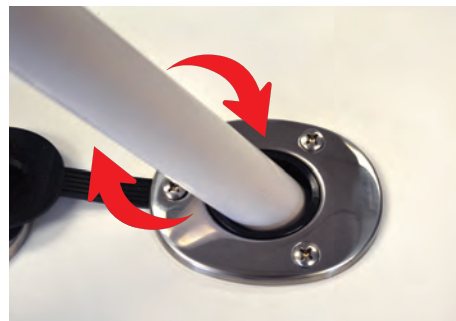
Converts standard fishing rod holder for use as a boarding assist handle

Installation and Removal Instructions

Installation: Slide the *EZ BOARD* handle into the rod holder until the locating pin engages the *EZ BOARD* slots. Rotate the handle to the right or left to lock in place. Both ends of the *EZ BOARD* handle are slotted for ease and convenience. Simply adjust the orientation of the handle to achieve the optimal position for boarding and balance.

Removal: Rotate the handle until the rod holder pin aligns with the *EZ BOARD* slot, then pull out to remove.

Do not force the *EZ BOARD* handle to install or remove.



“You can get stern lift with trim tabs. I run **SMART TABS**, they dropped my planing speed down to 13 or 14 MPH... The Trim Tabs take a bunch of the porpoising out of the boat when trimming it out to scoot, and really soften how it behaves when crossing wakes. My wife loves them.”

– R. S., www.iboats.com



SERVICE AND SUPPORT

We at Nauticus are committed to providing exceptional service and access to resources. Our technicians and administrative staff are available for assistance via telephone or email Monday through Friday from 9 a.m. to 5 p.m. EST. We also have a comprehensive website with installation instructions, videos and technical product specifications. For more information please contact us:

Nauticus, Incorporated	Toll Free: 800.233.0194
8080 Snowville Rd.	Phone: 440.746.1290
Brecksville, OH 44141	Email: info@nauticusinc.com
	Web: www.nauticusinc.com

100% MONEY BACK PERFORMANCE GUARANTEE

Nauticus, Inc. warrants that any appropriately sized and applicable **SMART TABS** set will improve the overall performance of a planing hull boat, as claimed by the company, to the satisfaction of the original purchaser. This offer is extended to the original purchaser for up to 30 days from the date of purchase.



Nauticus products may be returned for a full refund or credit by following these steps: **1)** The original purchaser must contact the consumer help desk at 800-233-0194 or 440-746-1290 to discuss the perceived deficiencies **2)** The purchaser must make all recommended adjustments **3)** If the deficiency cannot be resolved to the original purchaser's satisfaction, a Return Authorization Number will be issued **4)** The product must be returned to Nauticus, Inc., 8080 Snowville Road, Brecksville, OH 44141 **5)** Upon receipt and inspection of the returned product, a refund will be issued to the customer for the full purchase price of the **SMART TABS**.

LIMITED WARRANTY

Since 2000 we have earned a reputation for quality by designing and producing products that stand the test of time. Nauticus, Inc. warrants to the first retail purchaser of all **SMART TABS** kits and **EZ BOARD** handles that they are free from defects in material and/or workmanship for a period of five (5) years on all metal and composite components and two (2) years for gas actuators and rubber boot covers from the original date of purchase. If during the warranty period it appears as though the product or components are defective, contact Nauticus at 800-233-0194 or 440-746-1290 for assistance and instructions.

Visit our website at www.nauticusinc.com for detailed warranty information.

Nauticus, Inc. | 8080 Snowville Rd. | Brecksville, OH 44141 | Toll Free: 800-233-0194 | 440-746-1290 | Fax: 440-746-1291
www.nauticusinc.com

© Trademark of Nauticus, Inc. | © 2018 Nauticus, Inc. All Rights Reserved.
NAUT-16P-9-18