

safire



DIESEL HEATERS

Finnish heater expertise onshore and offshore



Since 1998

safire.fi

MARINE HEATERS

Safire heaters are designed to be reliable, convenient to use and easy to install. The brushless blower motors with ball bearings and intelligent control automatics ensures that all Safire heaters are extremely quiet and consume little battery power. Safire heaters are made of stainless steel, where applicable. Two-year guarantee.



16 Di - 23 Di

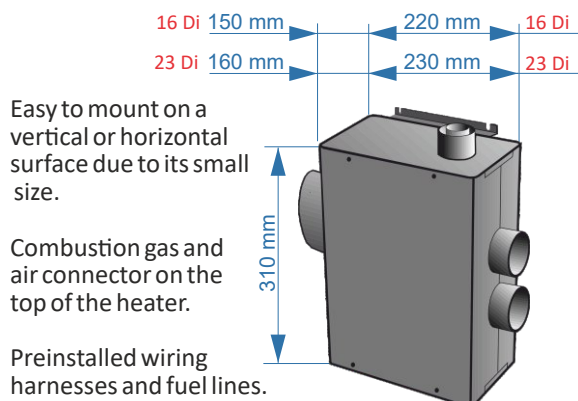
Safire 16 Di

Variable power regulation 0,7 - 1,6 kW
Power consumption 0,3 - 0,7 A (3,6 - 8,4 W)



Safire 23 Di

Variable power regulation 0,7 - 2,3 kW
Power consumption 0,3 - 0,8 A (3,6 - 9,6 W)



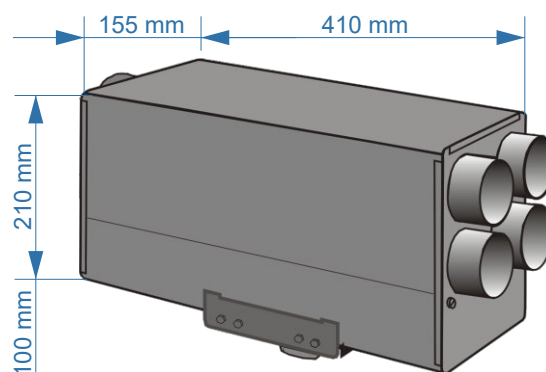
32 Di - 39 Di

Safire 32 Di

Variable power regulation:
0,9 - 3,2 kW
Power consumption:
0,4 - 1,2 A (5,0 - 14,4 W)

Safire 39 Di

Variable power regulation:
0,9 - 3,9 kW
Power consumption:
0,5 - 1,9 A (6,0 - 23,0 W)



Effortless to install due to the mounting bracket. Combustion gas and air connector on the bottom part of the heater. Preinstalled wiring harnesses and fuel lines.



	Safire 16 Di	Safire 23 Di	Safire 32 Di	Safire 39 Di
Boat length Sailboat + 1m	5-6 m	5-8 m	7-11 m	7-14 m
Fuel type	Biodiesel / Diesel			
Consumption	0,07 - 0,16 l/h	0,07 - 0,23 l/h	0,09 - 0,32 l/h	0,09 - 0,39 l/h
Operating voltage	12 V DC	12 V DC	12 V DC	12 V DC
Power consumption	0,3 - 0,7A (3,6-8,4W)	0,3 - 0,8A (3,6-9,6W)	0,4 - 1,2A (5,0-14,4W)	0,5 - 1,9A (6,0-23,0W)
Starting current (6 min.)	8 A	8 A	8 A	8 A
Control panel	Fixed (on heater)	Separate	Separate	Separate
Hot air connection	2 x 60 mm	2 x 60 mm	3x60mm (4x60, 2x75, 1x90mm)	4x60 mm (2x75, 1x90 mm)
Fresh air connection	----	115 mm	115 mm	115 mm
Housing material	Aluminium	Stainless steel	Stainless steel	Stainless steel
Dimensions (LxHxW)	220 x 310 x 150 mm	230 x 310 x 160 mm	410 x 210 x 155 mm	
Weight	5,5 kg	6,5 kg	10 kg	10 kg

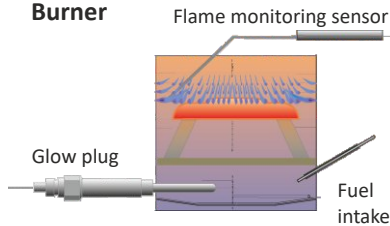


TECHNOLOGY AND USAGE

Combustion and circulation air blower



Burner



Electronics unit



Basic control panel



Genius control panel



Sirius control panel



An opened 3200 Di heater



Power consumption

Safire heaters use very little power. E.g. the Safire 16 Di runs for almost a one week on a 60 Ah battery and the Safire 2000 A cottage heater for almost two weeks.

Operating noise

Brushless blower motors with ball bearings ensure a long service life and a low and even noise level.

Burner

The modern burner technology ensures a silent blue flame on all power levels, and a long service interval. The stainless steel burner is self-serviceable.

Control, monitoring and safety

The functions of the burner are controlled by the newest microprocessor technology. The software tests the operational readiness of integral parts during start-up, before the start-up is continued. Numeric display for fault codes. The microprocessor monitors the safety of the device through sensors.

Convenience

Basic control panel: Safire heaters come with variable power regulation, which is either manual or automatic with its electronic thermostat. Fresh air ventilation.

Genius control panel: A built-in thermostat adjusts the power level of the heater variably (the thermostat can be turned off, in which case the power level can be regulated manually). In addition, the Genius control panel can be connected to two and the heater to one thermostat sensors (e.g. outdoor temperature, foreship cabin, sea water temperature). If a low heating power level is enough, the blower can still be set at a high level in order to remove moisture. The Genius control panel also comes with a calendar-based timer function, a counter for the remaining fuel, fault code display in case of a malfunction, and a solar switch, which stops the heating when the indoor temperature increases too much and starts ventilating the cabin, if desired. With Genius you can use also GSM-remote control, when you can control your heater easily by text message or with app.

Sirius control panel: suitable with marine heaters and also with cera22 ceramic cooker. A built-in thermostat sensor adjusts the power level of the heater variably (or you can use separated thermostat from the heater) or in which case the power level can be regulated manually (cera22), fresh air ventilation and fail code display. Sirius include also START/STOP function, the heater shut down when the temperature exceeds 3 degrees thermostat setting and start automatically after 3 degrees drop.

Installation and maintenance

The installation is easy and straightforward, due to the heater's compact structure. The service intervals are exceptionally long, spare parts are affordable, and the heater is self-serviceable. A digital numeric display. displays the reason for the malfunction.

Delivery scope:

- Heater
- Mounting bracket
- Fuel pump
- Fuel line
- Power cables
- Control panel cable

Accessories:

- Hull or deck grommets for combustion gas
- Combustion gas piping
- Air deflectors
- Electronic thermostat
- Control panel
- Warm air piping 60 mm
- Warm air grating 60 mm

COTTAGE HEATERS

safire 2000 B



Power:

- 0,7 - 2,0 kW
- 0,15 - 0,30 A
(1,8 - 3,6 W)

Fuel consumption:

- 0,7 - 2,0 dl / h

Dimensions and weight:

- 600 x 170 x 212 mm, 10 kg

safire 3200 B



Power:

- 0,9 - 3,2 kW
- 0,15 - 0,35 A
(1,8 - 4,2 W)

Fuel consumption:

- 0,9 - 3,2 dl / h

Dimensions and weight:

- 730 x 310 x 230 mm, 18 kg

safire 3800 A



Power:

- 0,9 - 3,8 kW
- 0,15 - 0,80 A
(1,8 - 9,6 W)

Fuel consumption:

- 0,9 - 3,8 dl / h

Dimensions and weight:

- 730 x 310 x 230 mm, 18 kg

2000 B available in colours:
white and black

3200 B and 3800 A available in colours:
white and black

safire

Cottage heaters are top quality heaters offering high power despite their dimensions. The Safire heaters use very little power. E.g. Safire 2000 B works for almost two weeks with a 60 Ah battery.

Accessories for cottage heaters include, among others, an easy-to-install wall lead-through set and a GSM remote control unit for convenience.

Wall lead-through

For Safire 2000, 3200 and 3800 cottage heaters. All it takes is one 90 mm hole in the wall. Maximum wall thickness: 400 mm



1287B GSM

Two way GSM control

- Start / Stop
- Temperature
- Last fail codes
- Consumption
- Alarms:
 - voltage
 - temperature
- Report:
 - status
 - heating time
 - battery voltage
 - temperature / adjust.
 - power saving
 - signal strenght



App for
Android / Apple

ACCESSORIES FOR DIESEL HEATERS

2215

Basic control panel



2216

Genius control panel



2230

Sirius control panel



2220

Electronic thermostat



Infinitely variable

Exchangeable end plates

2280
2 pcs 75mm mm outputs



2281
1 pc 90mm output



2282
4 pcs 60mm output



Fresh air adapter

2286
115mm - 2 x 75mm



Fuel tanks

3061

295x315x475
30 l



3065

295x240x380
22 l



3062

300x240x330
15 l



2265

Tank connection set
for diesel tank



2249

Coaxial combustion gas
deck grommet



2250

Coaxial combustion gas
hull grommet



2251

Coaxial combustion
gas pipe
28/45 HST



2277

Adjustable
warm air grate



2288

Warm air grate

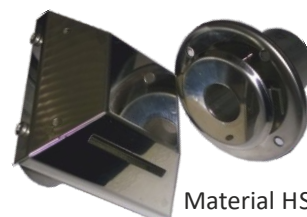
2278

Three-way distributor



2270

Warm air pipe



Material HST

Manufacturer:

SF-Lämmitin Oy
Tilhenkatu 1, 20610 TURKU FINLAND

tel. +358 2 244 3282
www.safire.fi

Distributors
for more

safire.fi