



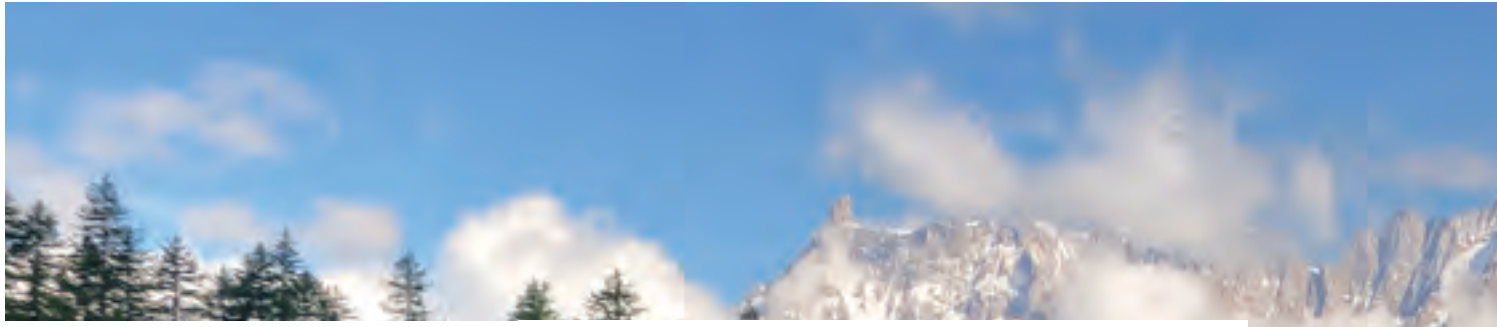
COOKING APPLIANCES
ALWAYS MOVING FORWARD

CATALOGUE
2018



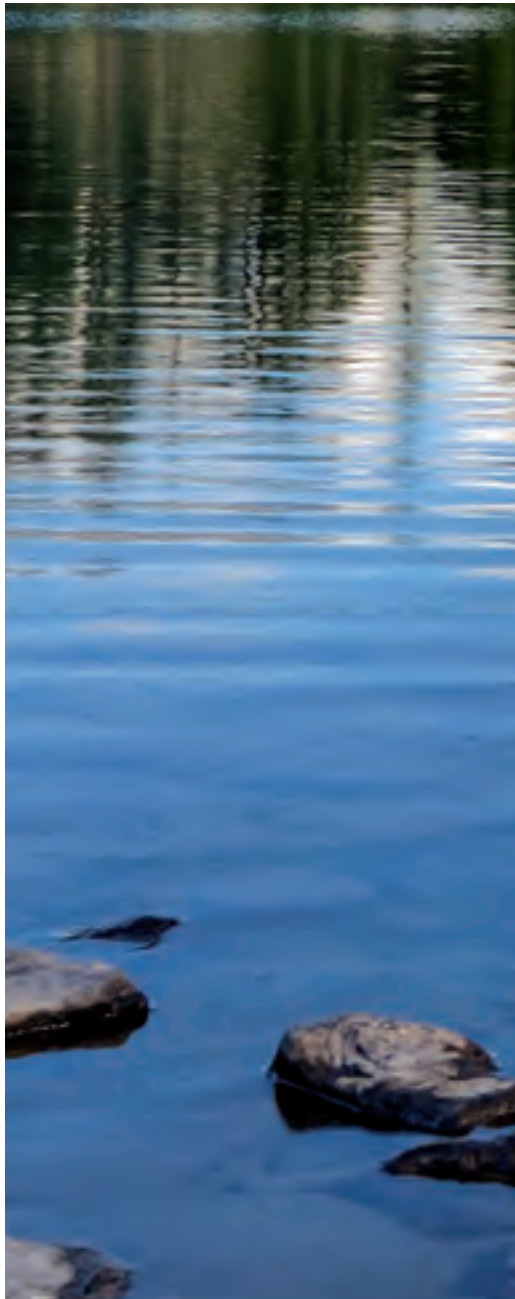
ALWAYS MOVING FORWARD





COMPANY

**The Italian brand
in the most beautiful
travelling kitchens**



CAN is the Italian manufacturer of hobs and sinks whose products can be found off the most exclusive coastlines, and in the heart of the wildest landscapes.

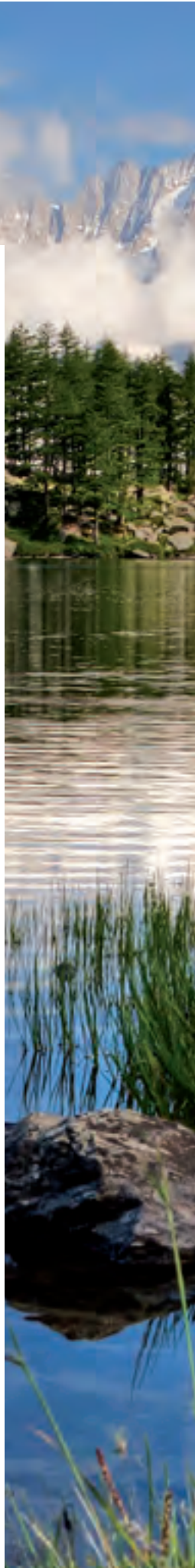
For over 30 years yacht and leisure vehicles manufacturers have chosen CAN to help realise their kitchen ideas, achieved through close collaboration between the respective designers, with a reliable supply chain and a high product quality standard that is never broken.

Many great brands from both the nautical and recreational vehicle markets have found CAN to be an exceptional partner. Authoritative references demonstrate how CAN has, and continues to be successful in bringing the excellence of Italian design to appliances within galleys and recreational vehicle kitchens, helping them to become the most sought after Italian company in the industry, most requested, most popular.

With the growth of CAN ever increasing, the objectives of CAN for the future remain, aiming to serve a market in constant evolution and expansion.

In 2017, CAN has done huge investments in new “moulds” and machinery giving birth to a new range of innovative products to keep its appliances always updated to the last customers’ needs and tendencies.

CAN Designers and Researchers have worked in close contact to develop brand new built-in kitchens and innovative cooktops with amazing features.







In the early months of 2017, CAN has completely revised its global strategy, becoming a multi-company by opening 2 new production sites in US and China:

- CAN Leisure Products USA - South Bend (IN) USA

- C.A.N. Far East HK Limited - HONG KONG

“With our overseas factories, we will be able to provide great products in the shortest time, supporting our customers with the most accurate assistance and being always by their side.”

Lorenzo Bellini - Managing Director of CAN S.r.l.

A world map with a network of white dots and lines connecting them, overlaid on a dark blue background. Two callout boxes are present: one for Italy (Brescia) and one for Hong Kong. The Italian callout box has a white background with a green, white, and red horizontal bar at the top. The Hong Kong callout box has a white background with a red horizontal bar at the top containing the Chinese flag's stars.

CAN SRL *Brescia* ITALY
HEADQUARTERS

Main Offices
Production & Assembling
R&D
Design Center
Sales & Services



C.A.N. Far East HK Limited
HONG KONG

Assembling
Sales & Services



Certifications





Certificate of Compliance

Modello: C34-114
Appartamento: 1
Transazione No.: 279554 - 26/12/2014

This product shall be used only as fitted to the CEI Mark Machine with subsequent identification "S" and "CS" for Control and "ES" or with additional identifier "US" for US only or without other indicator for Canada only.

SP **CEI** **CEC**

Attachment No. 1
 Transazione No. 279554 - 26/12/2014
 CAN S.R.L.

Certificate of Compliance

Modello: C34-114
Appartamento: 1
Transazione No.: 279554 - 26/12/2014

Attachment No. 1
 Transazione No. 279554 - 26/12/2014
 CAN S.R.L.

CERTIFICATO DI ESAME CE DI TIPO
EC Type Examination Certificate
 No. 512M700

Cooking
Coasters
Modello / Model: C2000 / C2000

CAN SRL
VIA NAZIONALE 85
25080 PUSIGNAGO DEL GARDA BS
IT - Italy

CERTIFICATO DI ESAME CE DI TIPO
EC Type Examination Certificate
 No. 50CD488

Piani di cottura
Cooking hot plates
Tipi / Type: PN / P / G

CAN SRL
VIA NAZIONALE 85
25080 PUSIGNAGO DEL GARDA BS

CERTIFICATO DI ESAME CE DI TIPO
EC Type Examination Certificate
 No. 50CD487

Piani di cottura
Cooking hot plates
Tipi / Type: P / G / S

CAN SRL
VIA NAZIONALE 85
25080 PUSIGNAGO DEL GARDA BS

CERTIFICATO DI ESAME CE DI TIPO
EC Type Examination Certificate
 No. 50RU580

Piani di cottura
Cooking hot plates
Tipi / Type: P / S

CAN SRL
VIA NAZIONALE 85
25080 PUSIGNAGO DEL GARDA BS

Do you wish to know more?
Take part in the most important
events: appointment in
the CAN space

ITALY

Genoa Boat Show (October)



FRANCE

Cannes Yachting Festival (September) and Salon
Nautique International De Paris (December)



GERMANY

Boote Dusseldorf (January) and
Dusseldorf Carvan Salon (August)



HOLLAND

Mets, Amsterdam (November)



UK

Birmingham Nec Show (October)



USA

Louisville (December)



TURKEY

Eurasia Boat Show, Istanbul (February)



QATAR

Qatar International Boat Show, Doha (November)



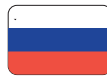
UNITED ARAB EMIRATES

Dubai International Boat Show (March)



RUSSIA

Moscow Boat Show (March)



CHINA

Shanghai International Boat Show (March)



KOREA

Korea Boat Show, Seoul (May)



13
F
60



News, events, insights: discover online all the CAN world

Cansrl.com is the address where the answer to every question can be found: with catalogues and images that can be downloaded in high resolution, or where information on spare parts, technical details and instruction manuals can be sought. Should anything not be found then live chat is now available.



www.cansrl.com



For a professional kitchen Always. Everywhere



For over thirty years CAN have stood for quality within the kitchen for the marine market. Supplying Hobs and Sinks with professional performances, designed for those who, even whilst travelling, wish to cook just as they would at home. Accurate adjustment of power and even cooking are guideline objectives for CAN, without ever compromising the practicality, compactness or safety of the appliance.

This method of design and manufacture that today meets even the recreational vehicle market, making CAN the reference brand for all professional kitchens away from home.



**Customised solutions.
Unique.
Just as whoever cooks**

Materials of all kinds are moulded through Italian design into a variety of shapes and designs. CAN interprets the specific needs of every market, sector, and customer. This enables it to offer a range of versatile solutions that in turn can be customised upon request. Be it stainless steel or glass, elliptical, square, round or irregular shapes, combined or dedicated units. Whether gas, induction, alcohol or ethanol burners, CAN will endeavour to meet every request with the most effective solution. Customised. Unique.

Cooktops CAN are certified CE, Energy Safety, New Zealand, IMQ, CSA.









Can®


GIMBALLING AND BUILT-IN COOKERS

	18	20	22	24	27
	CU2000 CU3000	CU3001	CU5000	CU7000	CU1371 CU1372 CU1370


CRYSTAL

	30	31	32	33
	PV1320 PV1350	PV1351 PV1357	PV1353 PV1354	PV1355 PV1352


CRYSTAL COMBINATION UNIT

	36	37
	PV1360 PV1362	PV1364 PV1366


HOODINY

	40	41	42	43
	FC1345 FC1348	FC1336 FC1349	FC1347 FC1343	FC1344


RANDI COMBINATION UNIT

	46	47	48	50	51
	FL1323 FL1324	FL1400 FL1401	FL1402 FL1410	FL1765 FL1766	FL1770 FL1780

HOTTY

	54	55
	PC1320 PC1321	PC1322 PC1323


FOLDY

	59
	LC1701 LC1710

ELECTRICAL COOKING UNITS

	62	63	64	65
	PI3050 PI3051	PT1356 PT1358	PB1327 PB1328	FR1800 TP1900


SINKS WITH FAUCET

	68	69
	LR1450 LR1751	LR1760


SINKS

	73	74	75	76	77		
	LA1400 LA1401	LA1402 LA1403	LA1404 LA1410	LA1411 LB1413	LB1414 LA1417		
	78	79	80	81	LA1418 LA1420	LA1418BA LA1403BA	LA1499 LA1489

OUTDOOR

	84	85
	FN1330 FN1332	FN1335

ACCESSORIES

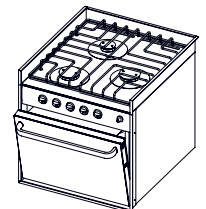
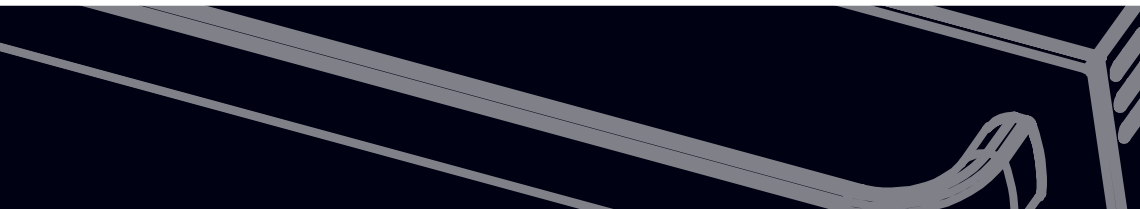
	88	89	90	91	92
	CL1552 CL1536	LP1600 LP1601 LP1602 LP1610	LP1800 LP1000 LP1616 LP1699	RB1853 RB1854	RB1855 RB1481 RB1482 RB1856
	93	94	95	RB1485 RB1486 RB1487 RB1488 RB1489	FP1320 FP1321 PV1370 PV1371



GIMBALLING AND BUILT-IN COOKERS

Gas cookers and ovens

High quality gimbaling and built-in cookers with oven and grill, completely built in Stainless steel. Design, Quality and Performance.

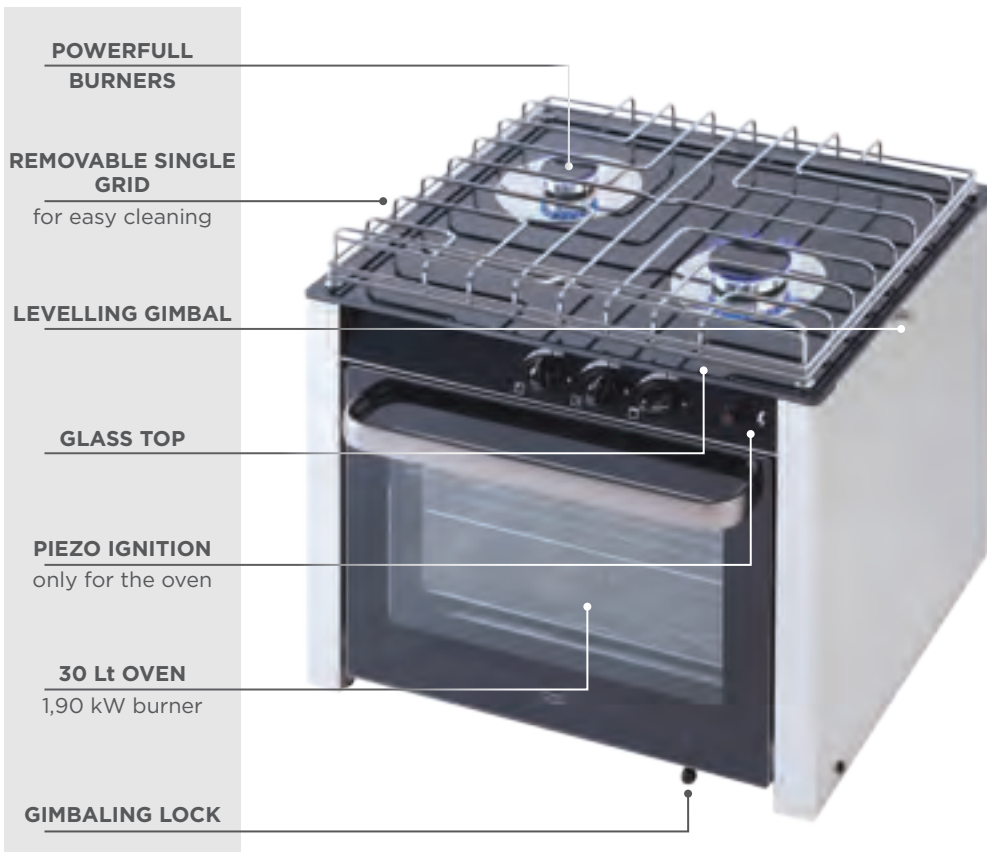


CU2000	18
CU3000	18
CU3001	20
CU5000	22
CU7000	24
CU1371	27
CU1372	27
CU1370	27



GIMBALLING AND BUILT-IN COOKERS

CU2000

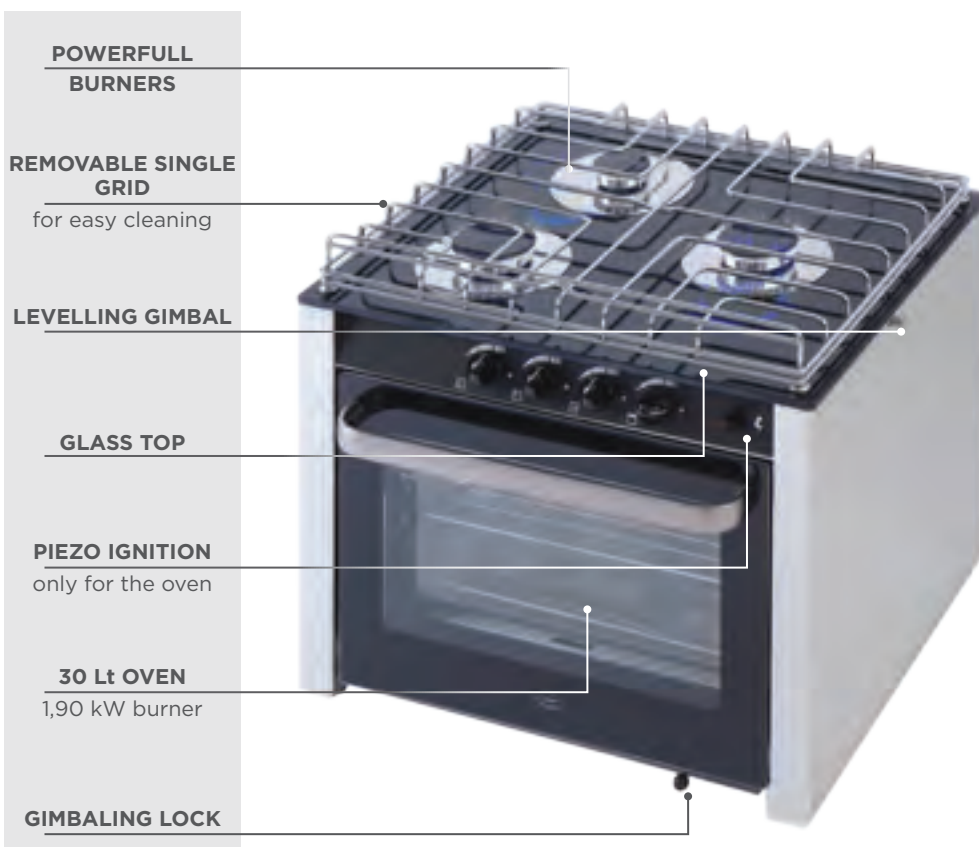


High Quality marine cooker, 2 burners with gimbal.

Completely built in Stainless Steel. Design, quality and performant glass top surface; flame failure safety device on all burners, piezo ignition to turn on the flame in the gas oven burner. Oven door with double thermal glass and see through window! Oven capacity over 30 liters with an efficient 1.90 kW burners. The cooker is easy to install and includes Gimbal mounting kit. We offer pan holder kit and a stainless-steel heat shield as optional. Built for the best sailing boats ever!

Width	500 mm
Depth	410 mm
Height	458 mm
Weight	22 kg
Burners	
- oven (1,90 kW)	x1
- A (1,00 kW)	x1
- SR (1,75 kW)	x1

CU3000



High Quality marine cooker, 3 burners with gimbal.

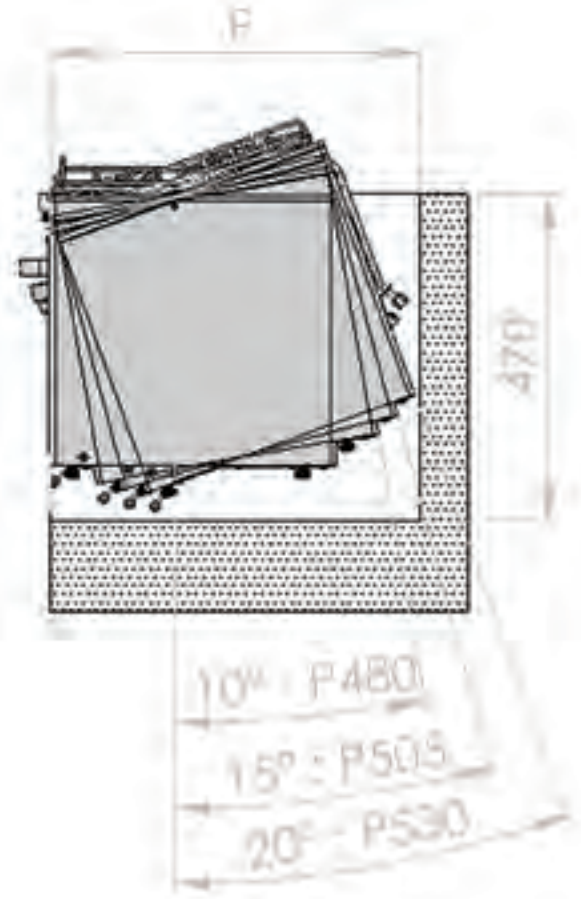
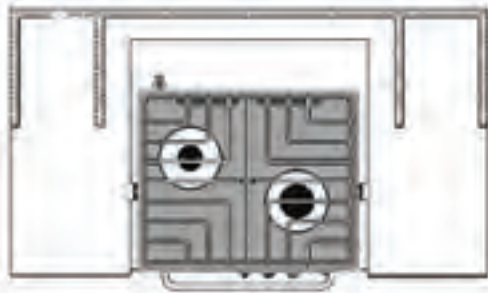
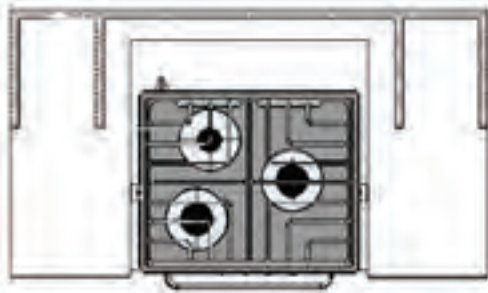
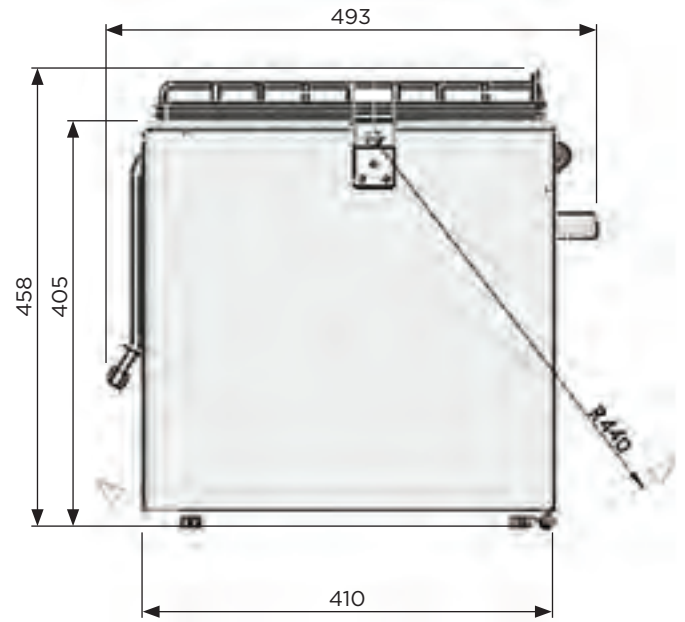
Completely built in Stainless Steel. Design, quality and performant glass top surface; flame failure safety device on all burners, piezo ignition to turn on the flame in the gas oven burner. Oven door with double thermal glass and see through window! Oven capacity over 30 liters with an efficient 1,90 kW burners. The cooker is easy to install and includes Gimbal mounting kit. We offer pan holder kit and a stainless-steel heat shield as optional. Built for the best sailing boats ever!

Width	500 mm
Depth	410 mm
Height	458 mm
Weight	23 kg
Burners	
- oven (1,90 kW)	x1
- A (1,00 kW)	x1
- SR (1,75 kW)	x2



GIMBALLING AND BUILT-IN COOKERS

TECHNICAL INFORMATION CU2000 - CU3000





GIMBALLING AND BUILT-IN COOKERS

CU3001



High Quality built-in gas cooker, 3 burners with oven and grill.

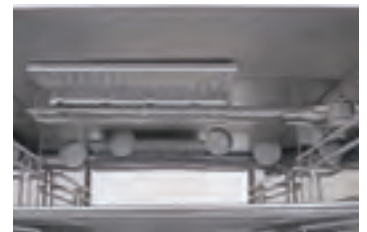
Stainless-steel built-in gas cooker with grill, glass top surface and flame failure safety device on all the 3 burners. Oven and grill burner managed by a thermostatic gas valve for a great cooking experience. Movable glass lid with hinges and electric 12V ignition for all the burners. Big single chromed grid to support and to let you to easily slide your pans. Oven door with see through window. More than 37 liters oven capacity with efficient 1,90 kW burner and a unique 1,80 kW grill burner! Check out the built-in dimension in the following page.

Width	440 mm
Depth	495 mm
Height	458 mm
Weight	26 kg

Burners	
- grill (1,80 kW)	x1
- oven (1,90 kW)	x1
- A (1,00 kW)	x1
- SR (1,75 kW)	x2

Grill burner

Gas grill (1,80 kW) capable of guaranteeing a superb level of performance with an optimum flame distribution and improved burning characteristics such as rapidity of ignition and activation of the safety system.



GLASS LIFTING COVER

REMOVABLE SINGLE GRID

for easy cleaning

POWERFULL BURNERS

GLASS TOP

THERMOSTATIC GAS VALVE

For oven and grill

GRILL

37 Lt OVEN

1,90 kW burner

ELECTRIC IGNITION 12 V

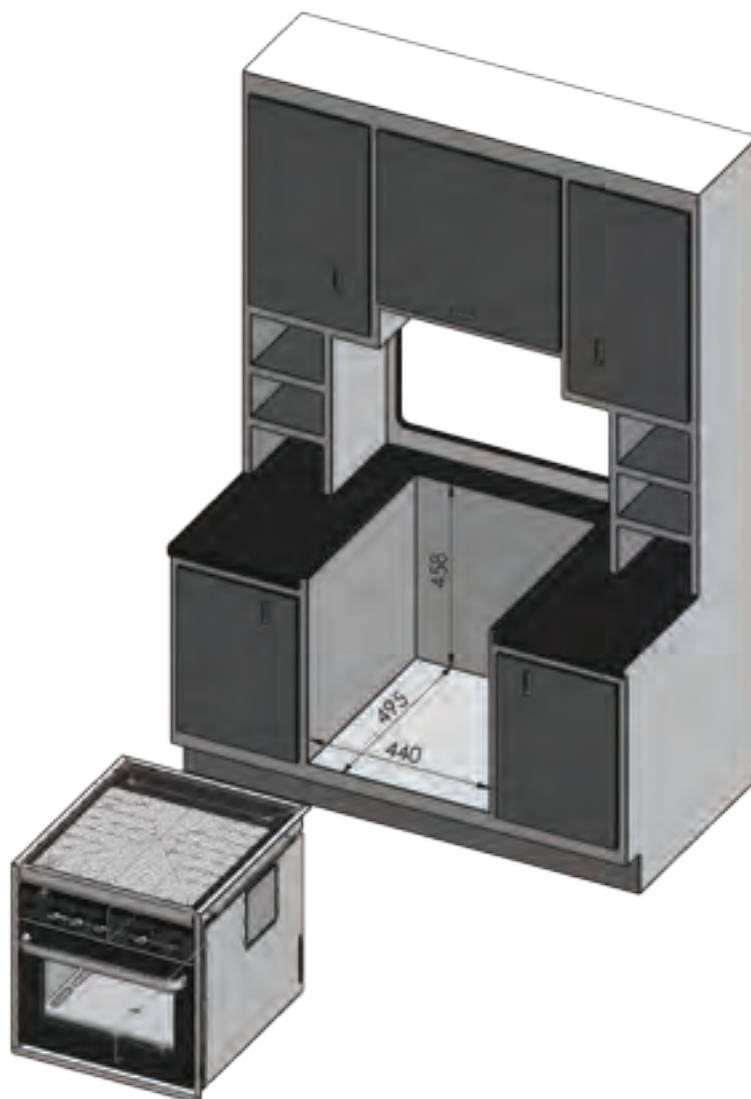
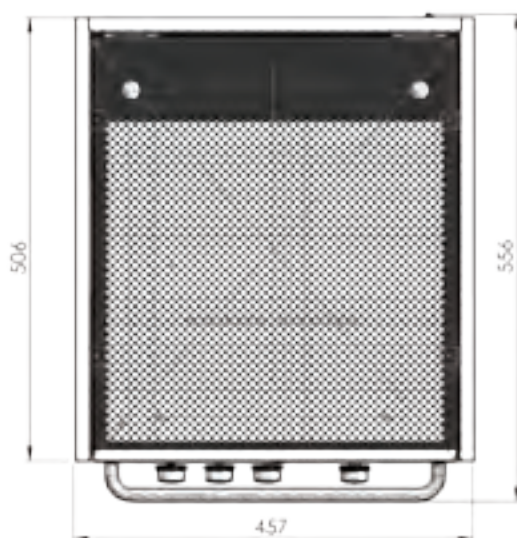
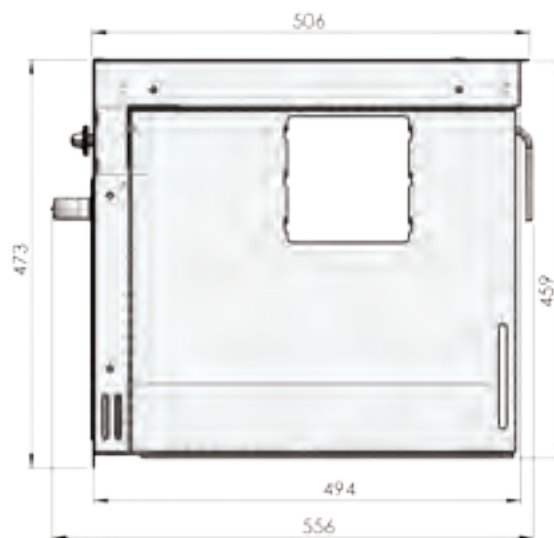
For all the burners





GIMBALLING AND BUILT-IN COOKERS

TECHNICAL INFORMATION CU3001





GIMBALLING AND BUILT-IN COOKERS

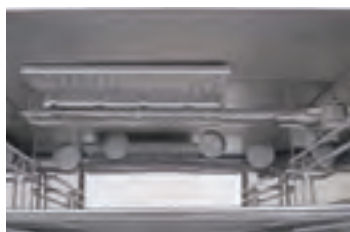
CU5000



High Quality built-in gas Oven with grill.

Stainless-steel built-in gas oven with grill, equipped by electric 12 V ignition and door with see through window. Oven and grill burner managed by a thermostatic gas valve with flame failure safety device. More than 37 liters oven capacity with efficient 1,90 kW burner and a unique 1,80 kW grill burner! Check out the built-in dimension in the following page.

Width	440 mm
Depth	495 mm
Height	408 mm
Weight	23 kg
Burners	
- grill (1,80 kW)	x1
- oven (1,90 kW)	x1



Grill burner

Gas grill (1,80 kW) capable of guaranteeing a superb level of performance with an optimum flame distribution and improved burning characteristics such as rapidity of ignition and activation of the safety system.

ELECTRIC IGNITION
12 V

For all the burners

GRILL

37 Lt OVEN

1,90 kW burner

THERMOSTATIC GAS VALVE

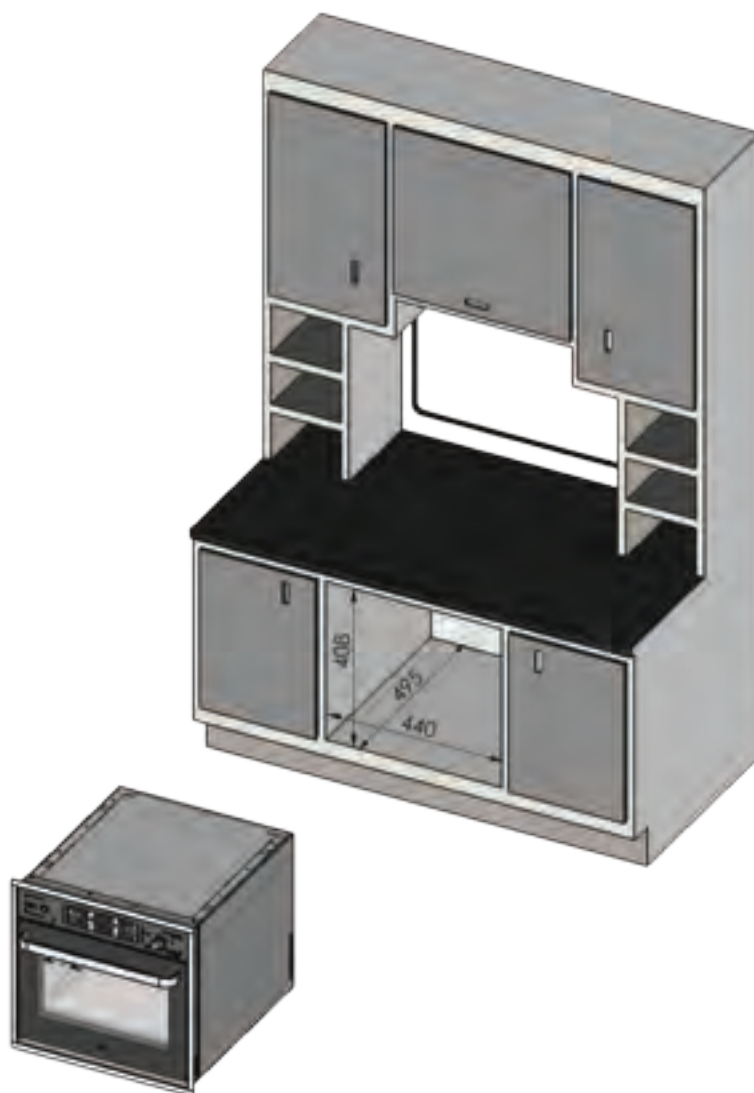
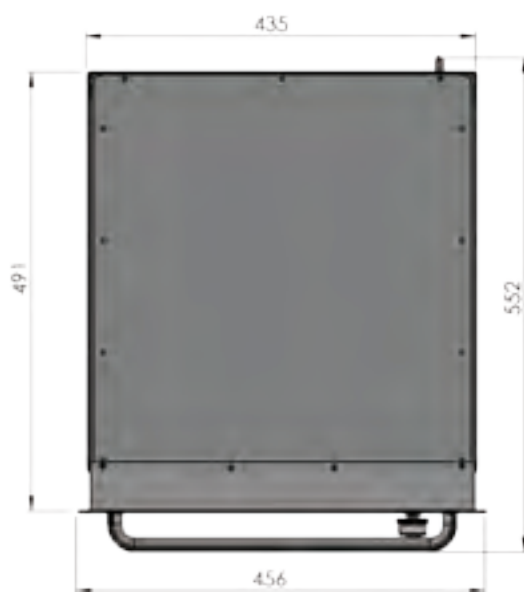
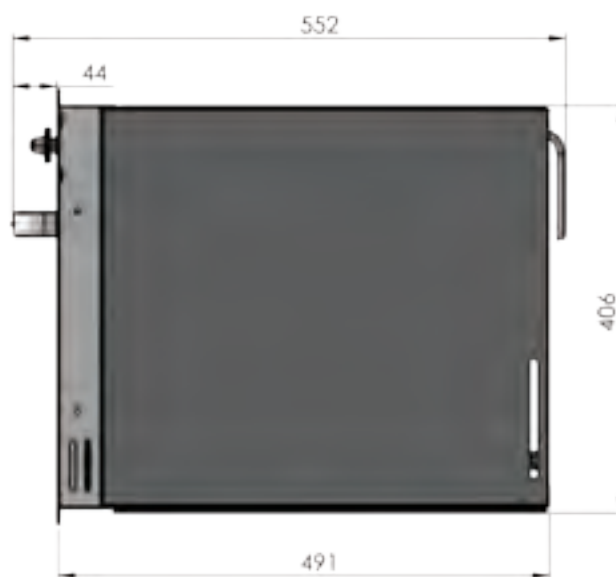
For oven and grill





GIMBALLING AND BUILT-IN COOKERS

TECHNICAL INFORMATION CU5000





GIMBALLING AND BUILT-IN COOKERS

CU7000



High Quality, compact built-in gas cooker, 3 burners with grill.

Compact Stainless-steel built-in gas cooker with grill, glass lid and cooktop equipped by 3 burners with flame failure safety device. Movable glass lid with hinges and electric 12V ignition for all the burners. Big single chromed grid to support and to let you to easily slide your pans. Grill door with see through window. More than 28 liters grill capacity with a unique 1,80 kW grill burner! Check out the built-in dimension in the following page.

Width	440 mm
Depth	495 mm
Height	330 mm
Weight	21 kg
Burners	
- grill (1,80 kW)	x1
- A (1,00 kW)	x1
- SR (1,75 kW)	x2

Grill burner

Gas grill (1,80 kW) capable of guaranteeing a superb level of performance with an optimum flame distribution and improved burning characteristics such as rapidity of ignition and activation of the safety system.

GLASS LIFTING COVER

REMOVABLE SINGLE GRID

for easy cleaning

POWERFULL BURNERS

GLASS TOP

ELECTRIC IGNITION 12 V

For all the burners

28 Lt GRILL

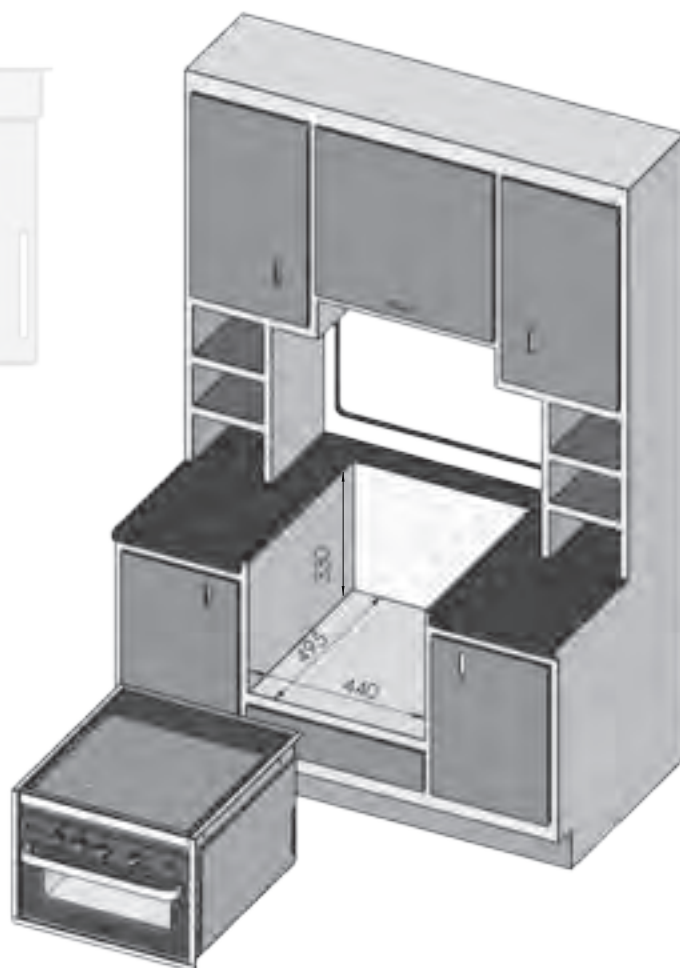
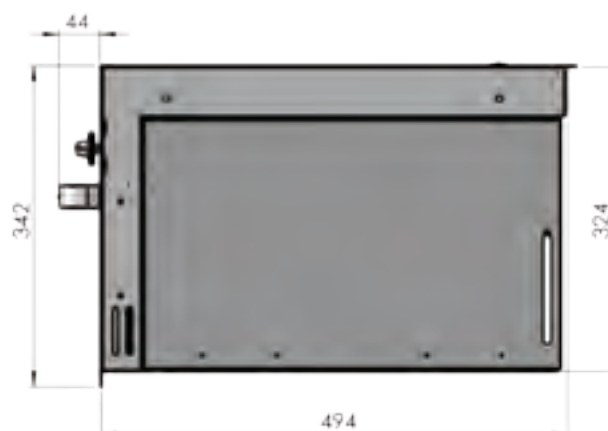
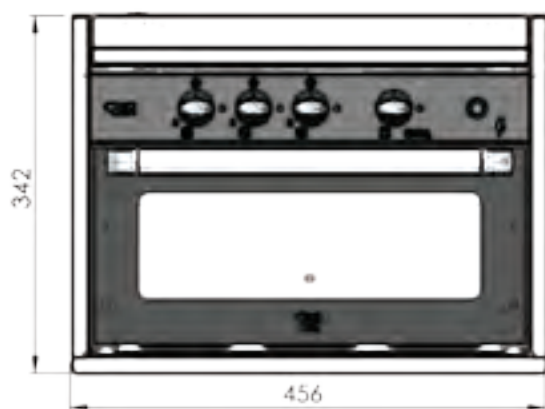
1,80 kW burner





GIMBALLING AND BUILT-IN COOKERS

TECHNICAL INFORMATION CU7000







ACCESSORIES

CU1371 - CU1372



Pan-Holder

Stainless-Steel Pan-Holder kit.

Article	Pincers	Suitable for
CU1371	2	CU2000
CU1372	3	CU3000



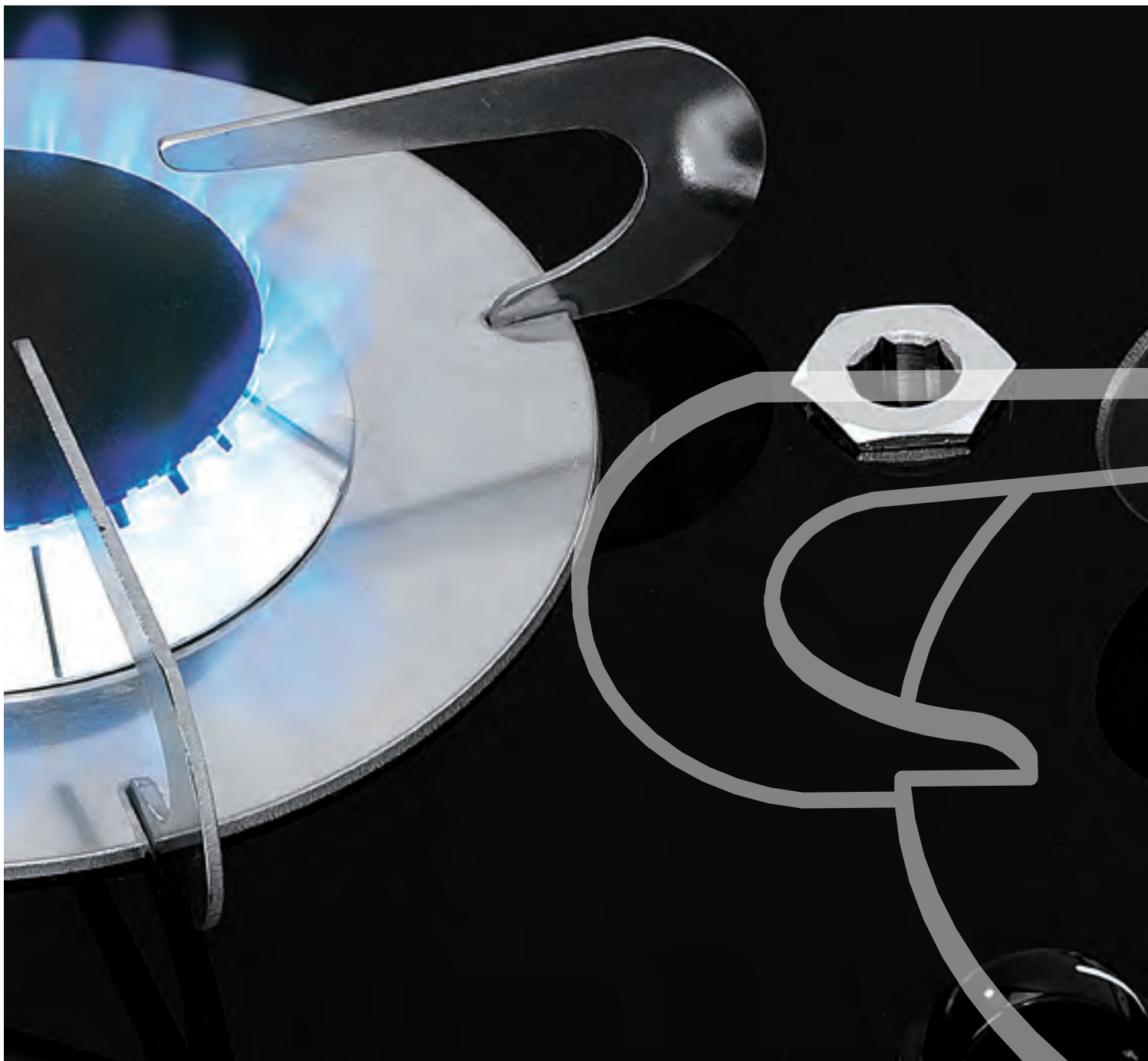
CU1370



Heat Shield for CU2000 - CU3000

Stainless-Steel flame protection device specifically designed to protect your kitchen's furniture.

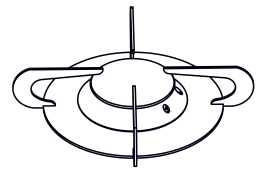




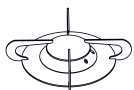
CRYSTAL

Hobs meet glass

Crystal was born through seeking new solutions: a line of hobs that utilizes glass as the principle material of the kitchen. Thus, the stainless steel components shine on special scratch-resistant surfaces, in sizes fully customisable, making Crystal the answer for those who wish to go beyond the ordinary, without restraint. What is the secret? Italian designed with maximum care taken over every detail.



PV1320	30
PV1350	30
PV1351	31
PV1357	31
PV1353	32
PV1354	32
PV1355	33
PV1352	33

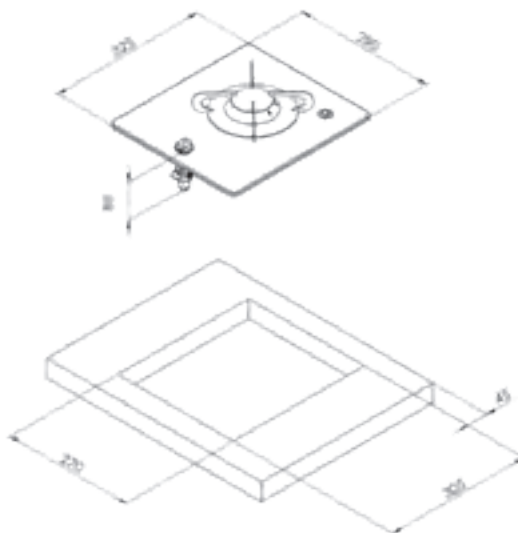


CRYSTAL

PV1320

Square glass top N°1 burner SR

The maximum of functional quality: a compact 1 burner hob.



OPTIONAL



STANDARD

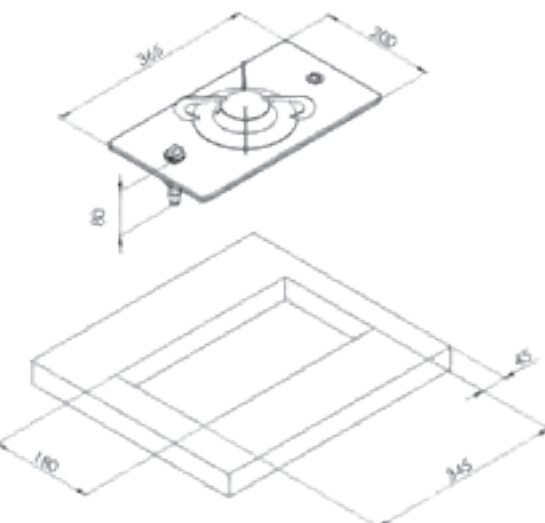


Width	290 mm
Depth	325 mm
Height	80 mm
Weight	5 kg
Burners	1SR

PV1350

Rectangular glass top N°1 burner SR

The rectangular geometry supports the requirement for compactness whilst maintaining functionality.



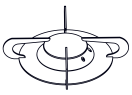
OPTIONAL



STANDARD



Width	200 mm
Depth	365 mm
Height	80 mm
Weight	5 kg
Burners	1SR



PV1351

OPTIONAL

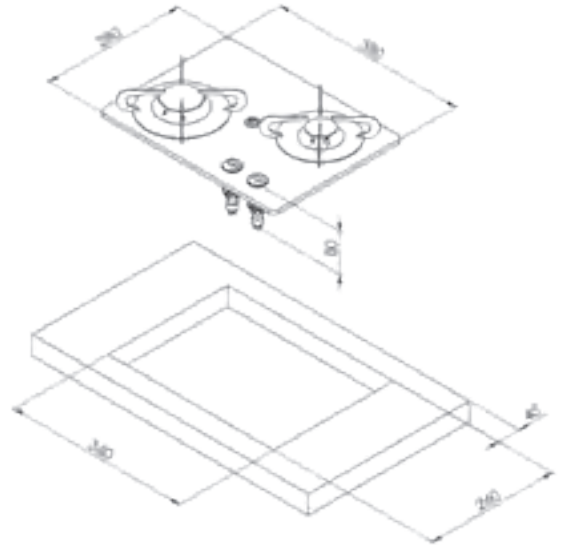


STANDARD



Rectangular glass top N°2 burners A-SR

The arrangement of the burners allows the simultaneous use of large pans.



Width	380 mm
Depth	280 mm
Height	80 mm
Weight	8 kg
Burners	1A - 1SR

PV1357

OPTIONAL

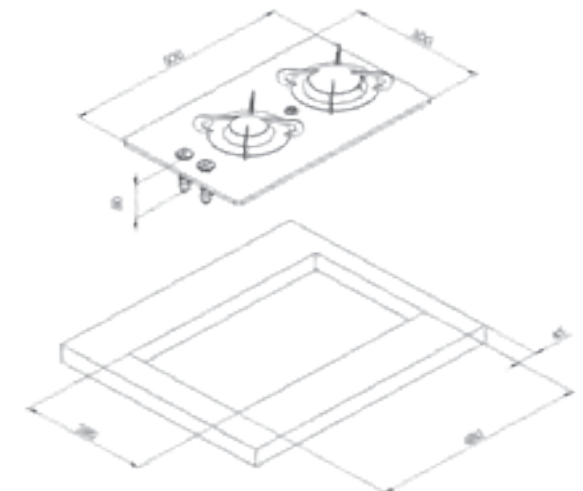


STANDARD

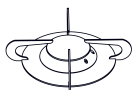


Rectangular glass top N°2 burners SR-R

The solution that satisfies everyone: the gas hob that can be combined to an induction solution.



Width	300 mm
Depth	500 mm
Height	80 mm
Weight	7 kg
Burners	1SR - 1R



CRYSTAL

PV1353

OPTIONAL

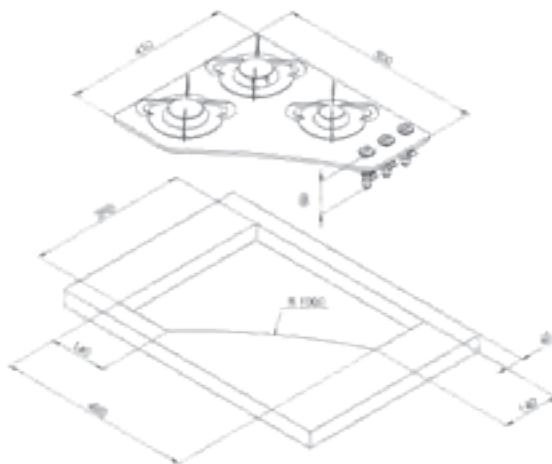


STANDARD



L-form glass top N°3 burners A-SR-SR

Ideal for a corner cooking area with reduced spaces. The special geometry allows combining one or more sinks.



Width	500 mm
Depth	410 mm
Height	80 mm
Weight	7 kg
Burners	1A - 2 SR

PV1354

OPTIONAL

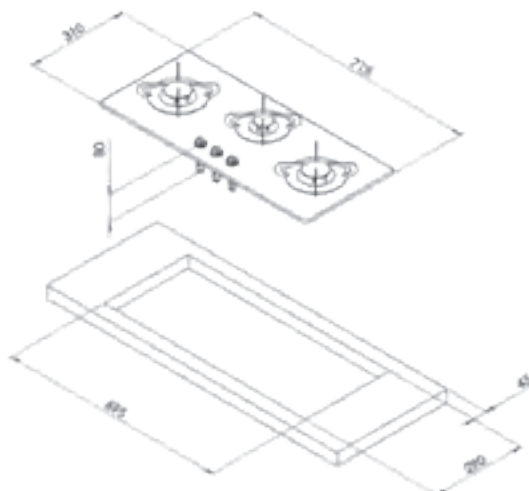


STANDARD

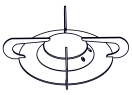


Rectangular glass top N°3 in-line burners A-SR-SR

Three in-line burners of different dimensions for having the maximum comfort in shallow surfaces. It is an installation of great aesthetic impact.



Width	715 mm
Depth	310 mm
Height	80 mm
Weight	8 kg
Burners	1A - 2SR



PV1355

OPTIONAL

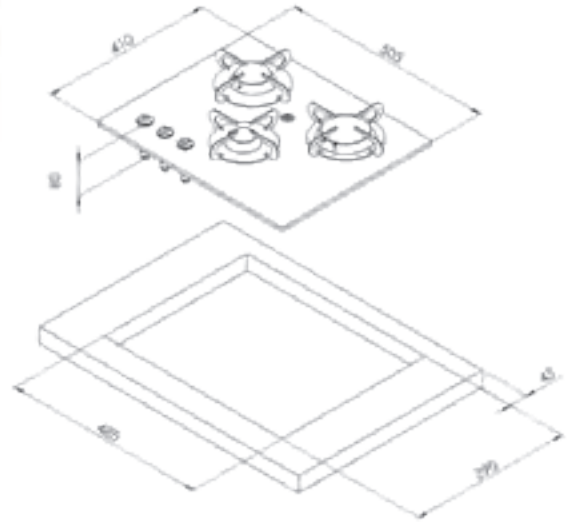


STANDARD



Rectangular glass top N°3 burners A-SR-R

Hob with professional burners that recreates, even while travelling, the space of a traditional kitchen.



Width	505 mm
Depth	410 mm
Height	80 mm
Weight	7 kg
Burners	1A - 1SR - 1R

PV1352

OPTIONAL

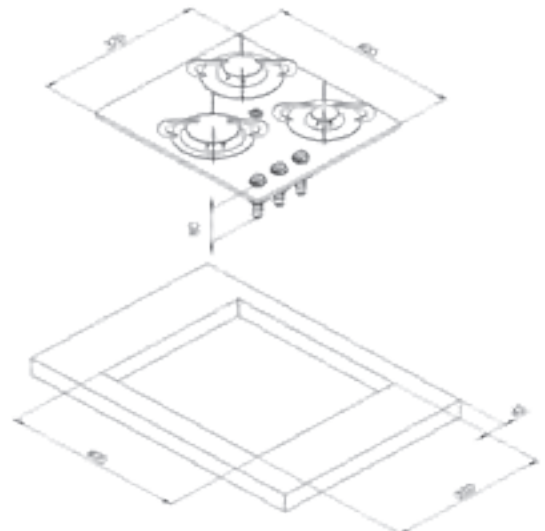


STANDARD



Rectangular glass top N°3 burners A-SR-R

The home stoves: professional and worthy of a traditional kitchen.



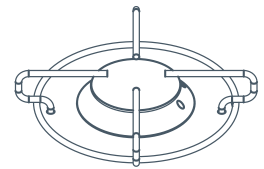
Width	420 mm
Depth	370 mm
Height	80 mm
Weight	10 kg
Burners	1A - 1SR - 1R



CRYSTAL COMBINATION UNIT

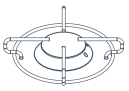
Wash, cook, taste:
all in one

Convenience is the key word in the kitchen. Creativity needs performing supports, which can accommodate it always, anywhere. This is the reason why CAN have created the combined items: burners and sink in a single space, which is the solution to every request, because free from predefined shapes. Round, square, elliptical, hemispherical: for each kitchen its geometry.



PV1360
PV1362
PV1364
PV1366

36
36
37
37



CRYSTAL COMBINATION UNIT

PV1360

OPTIONAL

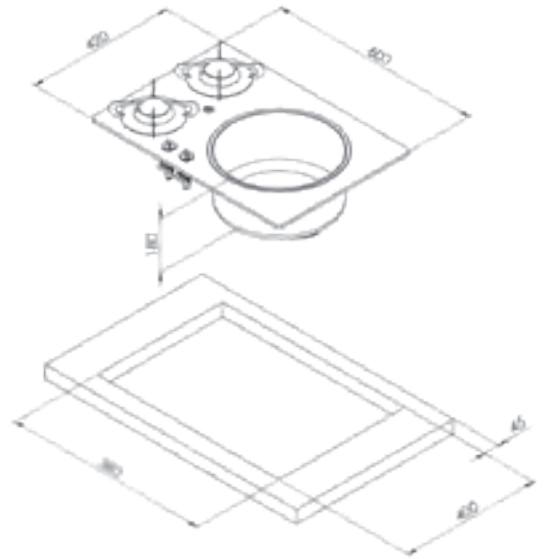


STANDARD



Gas hob unit with round sink N°2 burners SR-SR

The tap can be inserted inside the sink or on the side, or on top. The 300 mm diameter sink has a convenient space to wash, without giving up compactness and reduced overall dimensions.



Width	600 mm
Depth	420 mm
Height	180 mm
Weight	8,5 kg
Burners	2SR

PV1362

OPTIONAL

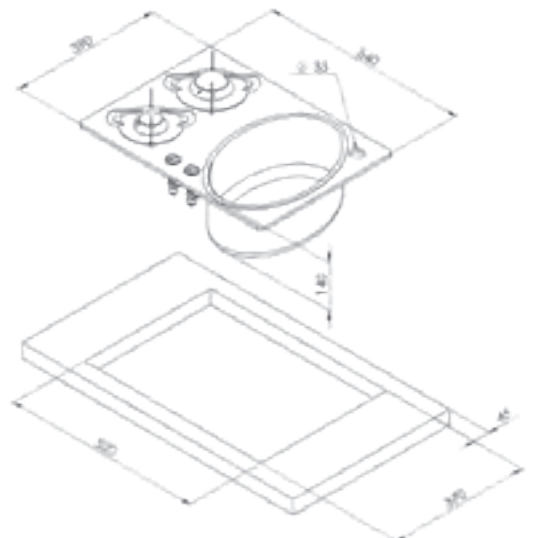


STANDARD

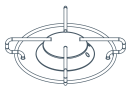


Gas hob unit with oval sink N°2 burners A-SR

The elliptical shape allows reducing the overall dimensions to a minimum and to give to the cooking area an original design. Water tap not included.



Width	540 mm
Depth	390 mm
Height	140 mm
Weight	7,5 kg
Burners	1A - 1SR



CRYSTAL COMBINATION UNIT

CRYSTAL
COMB. UNIT

PV1364



OPTIONAL

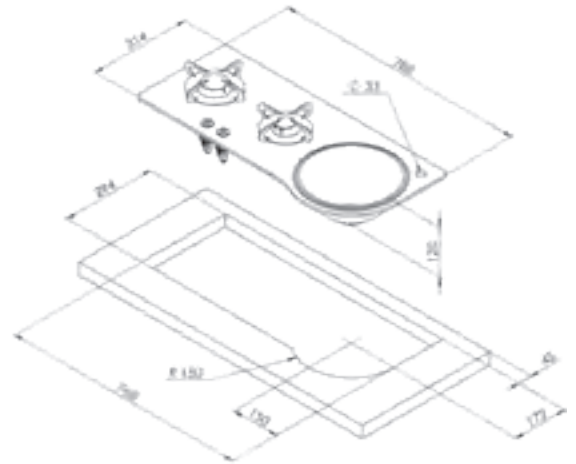


STANDARD



Gas hob unit with semispheric sink N°2 burners A-SR

The special geometry backs up the requirement of cooking more than one dish simultaneously, even in shallow spaces. Water tap not included.



Width	788 mm
Depth	314 mm
Height	120 mm
Weight	7,5 kg
Burners	1A - 1SR

PV1366



OPTIONAL

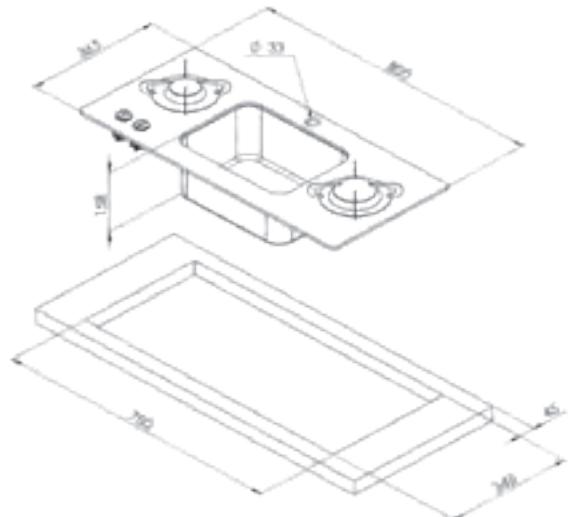


STANDARD



Gas hob unit with rectangular sink N°2 burners A-SR

The professional burners placed at the two ends allow cooking with large volume frying pans: a condition particularly difficult on a mobile hob. Water tap not included.



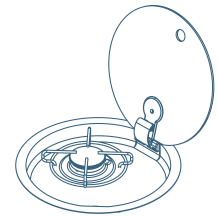
Width	800 mm
Depth	365 mm
Height	158 mm
Weight	8 kg
Burners	1A - 1SR



HOODINY

Linearity and compactness in the kitchen

To meet the natural lines of a kitchen whilst keeping the overall dimensions to a minimum, CAN offers Hoodiny: hobs with a special tempered glass cover. The closing of the lid allows the stove to be hidden whilst creating new, useful table tops. No surprises: to protect the glass from impacts, the hinge enables a slow and soft closing.



FC1345	40
FC1348	40
FC1336	41
FC1349	41
FC1347	42
FC1343	42
FC1344	43



HOODINY

FC1345

OPTIONAL

- 12V
- Pressure Cooker
- Child Lock

STANDARD

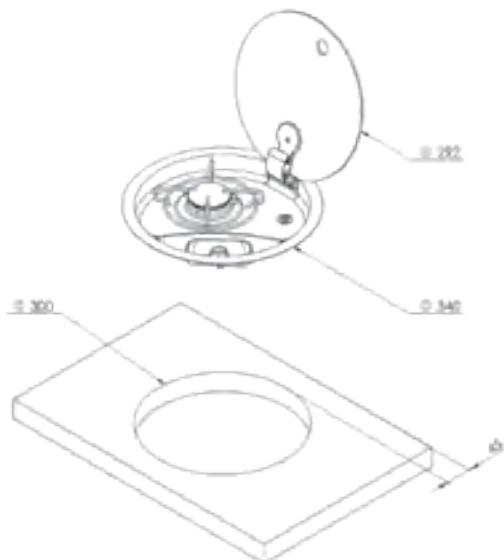
- Flameless
- LPG 28-30 mbar
- GLASS*



External diameter	340 mm
Height	80 mm
Weight	2,1 kg
Burners	1SR

Round gas hob-unit N°1 burner SR

The art of compactness: the perfect hob for few table seats.



FC1348

OPTIONAL

- 12V
- Pressure Cooker
- Child Lock

STANDARD

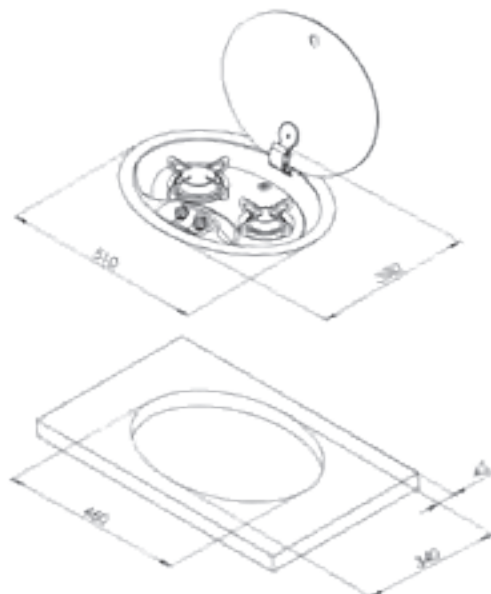
- Flameless
- LPG 28-30 mbar
- GLASS*



Width	510 mm
Depth	390 mm
Height	80 mm
Weight	3,8 kg
Burners	1A - 1SR

Elliptic gas hob-unit N°2 burners A-SR

Two burners for cooking simultaneously two dishes, without giving up a reduced space.



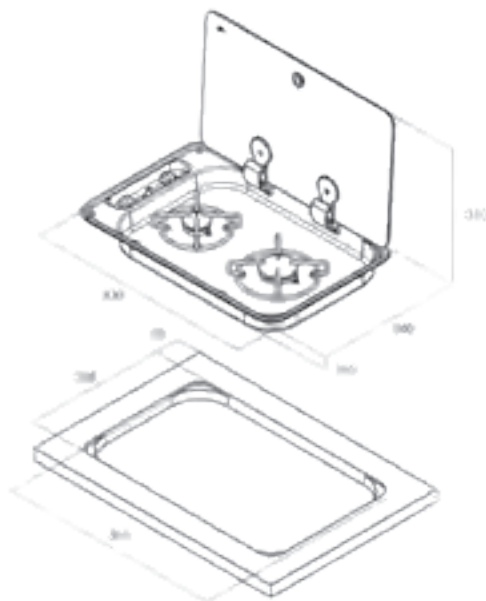


HOODINY

FC1336

Rectangular gas hob-unit N°2 burners A-SR

The rectangular shape allows the use of larger diameter pans.



OPTIONAL



STANDARD



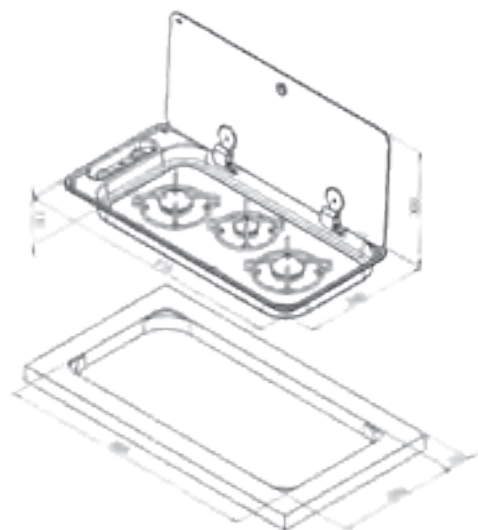
Width	530 mm
Depth	340 mm
Height	110 mm
Weight	4,8 kg
Burners	1A - 1SR

HOODINY

FC1349

Rectangular gas hob-unit N°3 burners A-SR-SR

The largest cooking space of the Hoodiny line: 3 in-line burners on a rectangular base.



OPTIONAL



STANDARD



Width	716 mm
Depth	340 mm
Height	110 mm
Weight	5,8 kg
Burners	1A - 2SR



HOODINY

FC1347

OPTIONAL

-
-
-

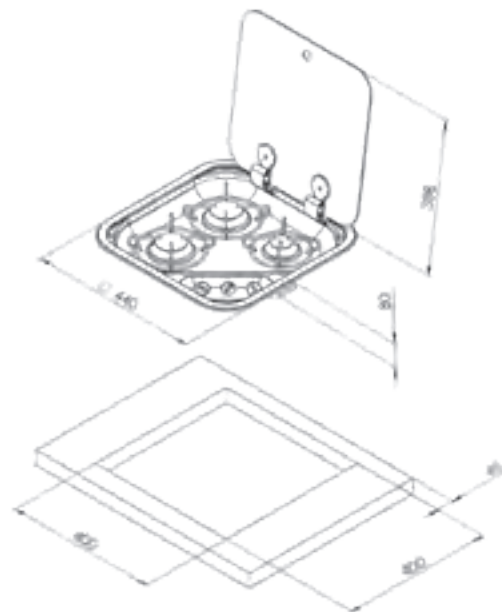
STANDARD

-
-
-



Square gas hob-unit N°3 burners A-SR-SR

A square hob that has the correct space for cooking on 3 burners simultaneously.



Width	440 mm
Depth	440 mm
Height	80 mm
Weight	5,3 kg
Burners	1A - 2SR

FC1343

OPTIONAL

-
-
-

STANDARD

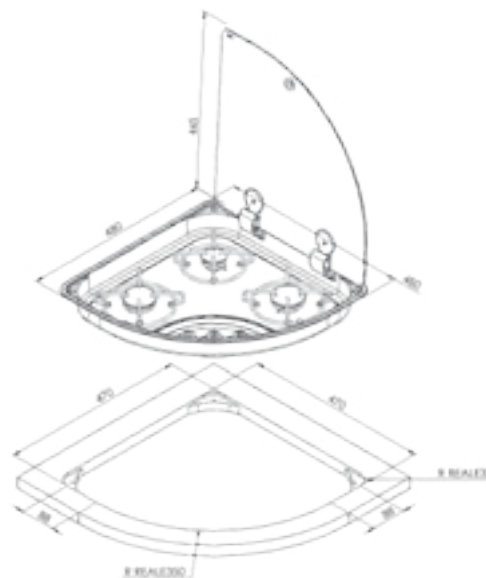
-
-
-



Triangular gas hob-unit n°3 burners A-SR-SR

Left fitting

A graceful and compact triangular unit, specifically developed for the most demanding application in term of space. Other pots' support configurations available.



Width	480 mm
Depth	480 mm
Height	90 mm
Weight	5,5 kg
Burners	1A - 2SR



HOODINY

FC1344

OPTIONAL

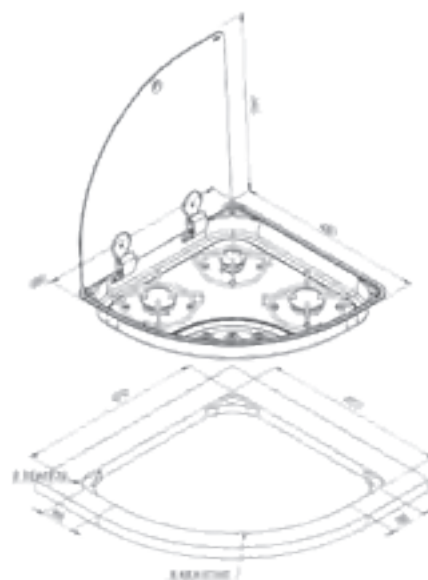


STANDARD



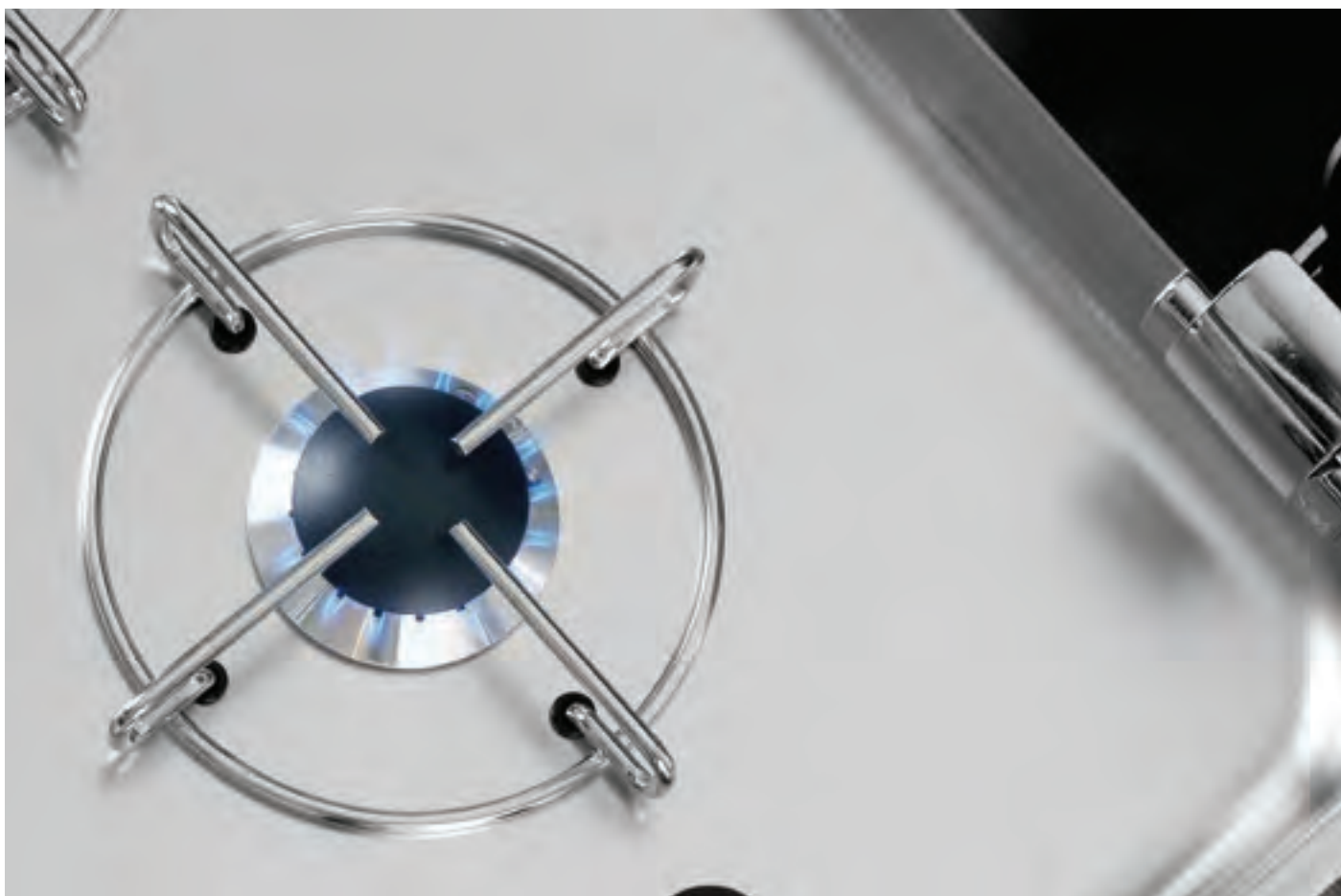
Triangular gas hob-unit n°3 burners A-SR-SR Right fitting

A graceful and compact triangular unit, specifically developed for the most demanding application in term of space. Other pots' support configurations available.



Width	480 mm
Depth	480 mm
Height	90 mm
Weight	5,5 kg
Burners	1A - 2SR

HOODINY

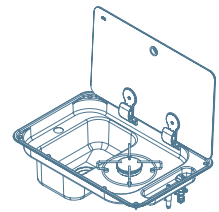




RANDI COMBINATION UNIT

**Quality,
compactness
and functionality,
combined with
the most flexible
design**

Monobloc, compact, combined. In the world of travel maximum functionality needs to be achieved, and Randi, the proposed unit-kitchen line, is the range that offers this. Hobs and sink are as one single unit, hidden beneath 4 mm of tempered glass, also creating a practical table top. The design is, as always, customisable: available in the right-hand or left-hand version and with taps and fittings at choice. The pan supports are removable with rubber anti-vibration inserts.



FL1323	46
FL1324	46
FL1400	47
FL1401	47
FL1402	48
FL1410	48
FL1765	50
FL1766	50
FL1770	51
FL1780	51



RANDI COMBINATION UNIT

FL1323

OPTIONAL

-
-
-
-
-

STANDARD

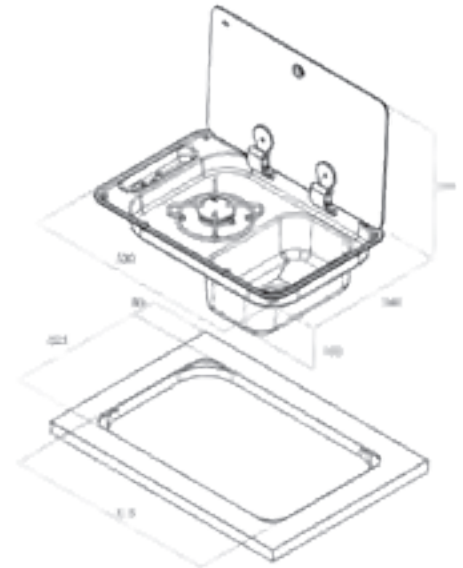
-
-
-
-
-



Width	530 mm
Depth	340 mm
Height	150 mm
Weight	4,5kg
Burners	1SR

The smallest built-in rectangular gas hob-unit ever built- N°1 burners SR with rectangular sink right-handed

This unique product, provide a powerful solution to the lack of space aboard: the single glass lid, conveys an idea of cleanliness and linearity, creating continuity between the cooktop and the surrounding furniture when closed (water tap and waste not included).



FL1324

OPTIONAL

-
-
-
-
-

STANDARD

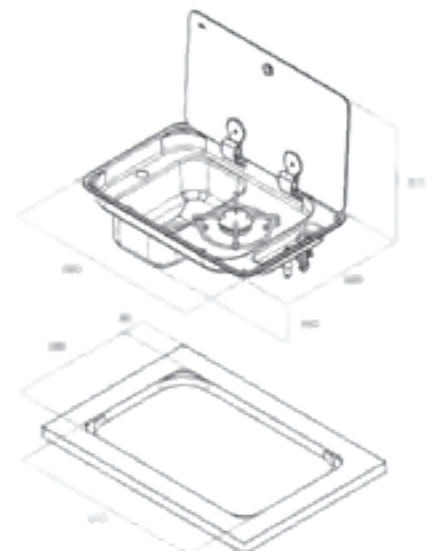
-
-
-
-
-



Width	530 mm
Depth	340 mm
Height	150 mm
Weight	4,5 kg
Burners	1SR

The smallest built-in rectangular gas hob-unit ever built - N°1 burners SR with rectangular sink left-handed

This unique product, provide a powerful solution to the lack of space aboard: the single glass lid, conveys an idea of cleanliness and linearity, creating continuity between the cooktop and the surrounding furniture when closed (water tap and waste not included).





RANDI COMBINATION UNIT

FL1400

OPTIONAL

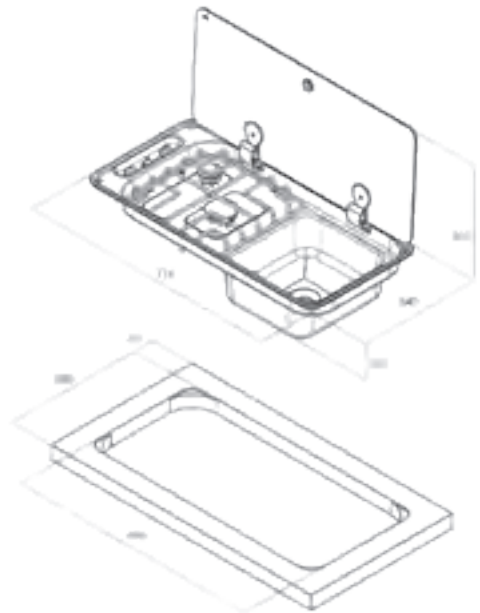


STANDARD



The most compact built-in rectangular gas hob-unit - N°2 burners A-SR Rectangular sink right-handed

The single glass lid, conveys an idea of cleanliness and linearity, creating continuity between the cooktop and the surrounding furniture (water tap and waste not included).



Width	716 mm
Depth	340 mm
Height	150 mm
Weight	5 kg
Burners	1A - 1SR

RANDI COMB. UNIT

FL1401

OPTIONAL

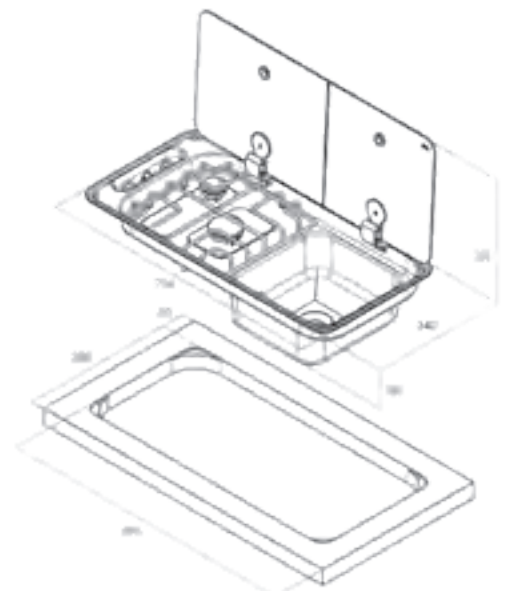


STANDARD



The most compact built-in rectangular gas hob-unit - N°2 burners A-SR Rectangular sink right-handed

The double glass lid gives you the chance to use the cooking and the washing area separately, extending the worktop with an outstanding flexibility (water tap and waste not included).



Width	716 mm
Depth	340 mm
Height	150 mm
Weight	5 kg
Burners	1A - 1SR



RANDI COMBINATION UNIT

FL1402

OPTIONAL



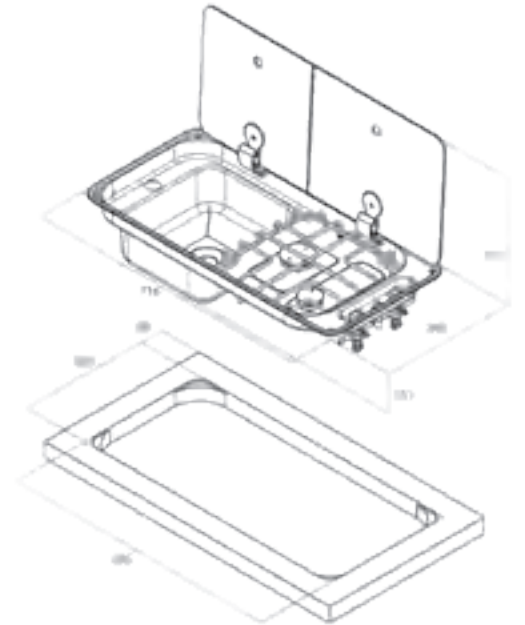
STANDARD



Width	716 mm
Depth	340 mm
Height	150 mm
Weight	5 kg
Burners	1A - 1SR

The most compact built-in rectangular gas hob-unit - N°2 burners A-SR Rectangular sink left-handed

The double glass lid gives you the chance to use the cooking and the washing area separately, extending the worktop with an outstanding flexibility (water tap and waste not included).



FL1410

OPTIONAL



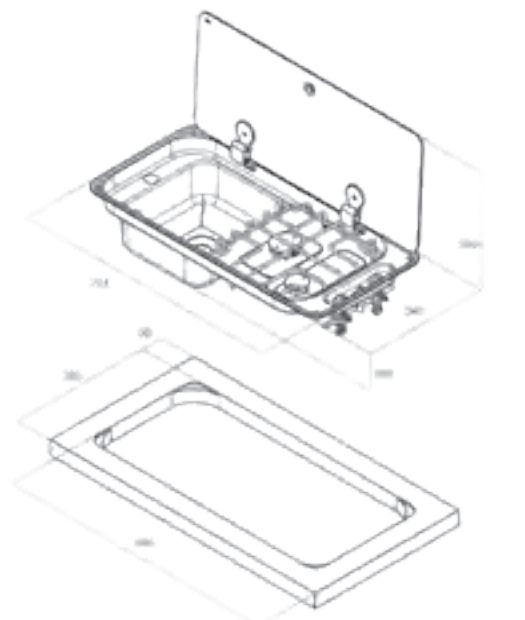
STANDARD



Width	716 mm
Depth	340 mm
Height	150 mm
Weight	5 kg
Burners	1A - 1SR

The most compact built-in rectangular gas hob-unit - N°2 burners A-SR Rectangular sink left-handed

The single glass lid, conveys an idea of cleanliness and linearity, creating continuity between the cooktop and the surrounding furniture (water tap and waste not included).



FL1401



RANDICOMB.
UNIT

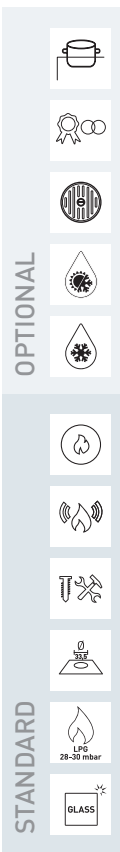


FL1765



RANDI COMBINATION UNIT

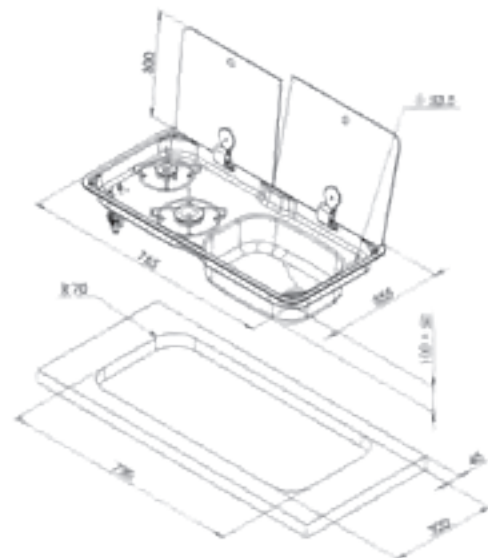
FL1765



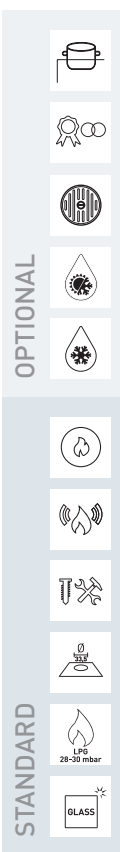
Width	765 mm
Depth	355 mm
Height	100 + 50 mm
Weight	6 kg
Burners	1A - 1SR

Rectangular gas hob-unit N°2 burners A-SR with rectangular sink right-hand, tap and waste not included

Available with single or double glass lids so the cooking area can be used separately from that intended for washing. Water tap not included.



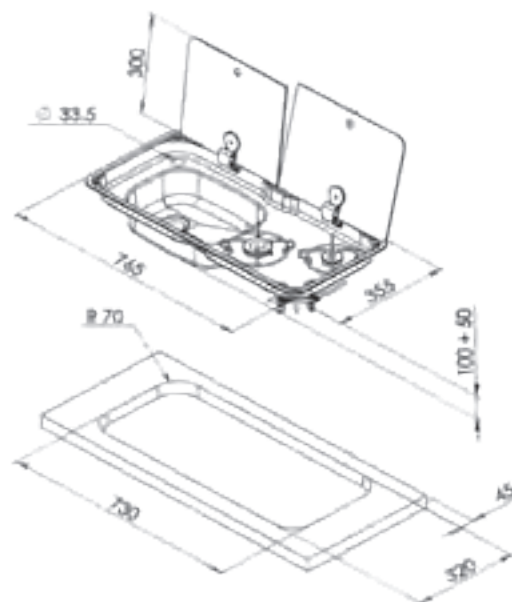
FL1766



Width	765 mm
Depth	356 mm
Height	100 + 50 mm
Weight	6 kg
Burners	1A - 1SR

Rectangular gas hob-unit N°2 burners A-SR with rectangular sink left-hand, tap and waste not included

Modular spaces: thanks to the glass cover, which can be single or double, it is possible to use only the sink or the hob, whilst creating a new table top. Water tap not included.





RANDI COMBINATION UNIT

FL1770

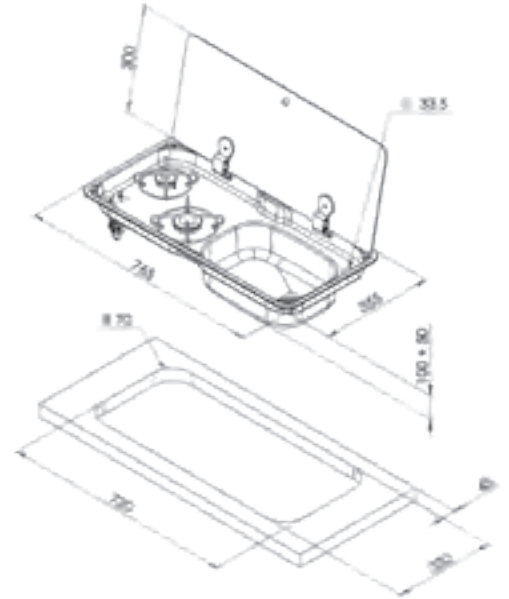
- OPTIONAL
 -
 -
 -
 -
 -
- STANDARD
 -
 -
 -
 -



Width	765 mm
Depth	355 mm
Height	100 + 50 mm
Weight	6 kg
Burners	1A - 1SR

Rectangular gas hob-unit N°2 burners A-SR with rectangular sink right-hand, tap and waste not included

A 1-cover solution with rectangular sink combined to 2 burners: maximum compactness in a linear space. Water tap not included.



RANDI COMB. UNIT

FL1780

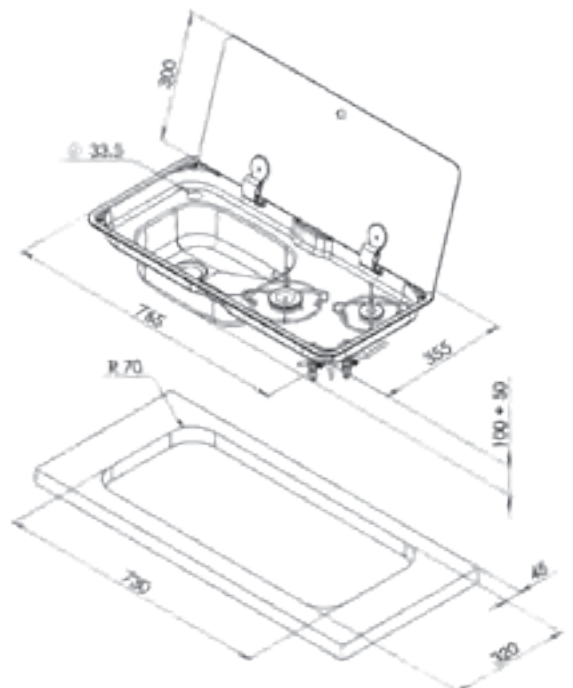
- OPTIONAL
 -
 -
 -
 -
 -
- STANDARD
 -
 -
 -
 -



Width	765 mm
Depth	355 mm
Height	100 + 50 mm
Weight	6 kg
Burners	1A - 1SR

Rectangular gas hob-unit N°2 burners A-SR with rectangular sink left-hand, tap and waste not included

Large hob, but extremely compact for managing 2 stoves even in the reduced spaces. Available with a single glass cover. Water tap not included.

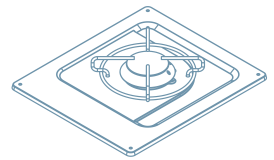




HOTTY

Simple. How to cook

At times, the more complex requirements have a simple solution. The Hotty: the CAN pressed stainless steel hob line can be installed on any surface with extreme ease, and support almost every request: with 1, 2 or 3 burners the kitchen is always a comfortable space.



PC1320
PC1321
PC1322
PC1323

54
54
55
55



PC1320

Gas hob unit N°1 burner SR

OPTIONAL

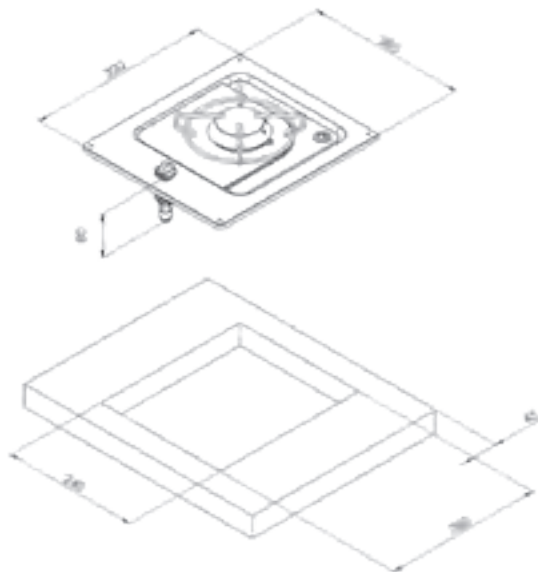
-
-
-

STANDARD

-
-



Width	285 mm
Depth	320 mm
Height	80 mm
Weight	2,2 kg
Burners	1SR



PC1321

Gas hob unit N°2 burners SR-SR

OPTIONAL

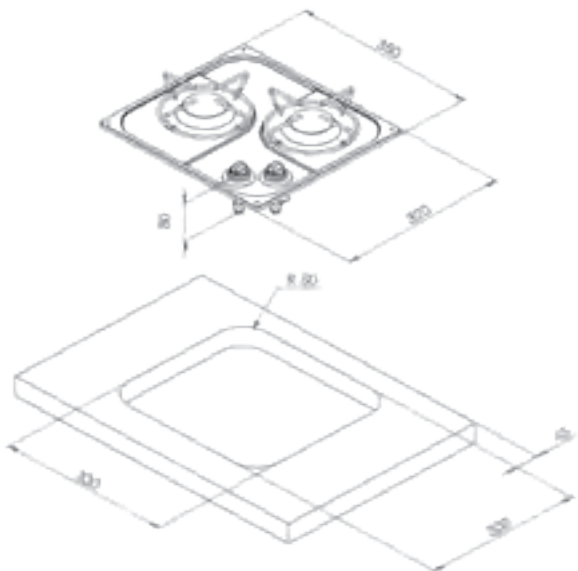
-
-
-

STANDARD

-
-



Width	350 mm
Depth	320 mm
Height	80 mm
Weight	3 kg
Burners	2SR





PC1322

Gas hob unit N°2 burners SR-SR

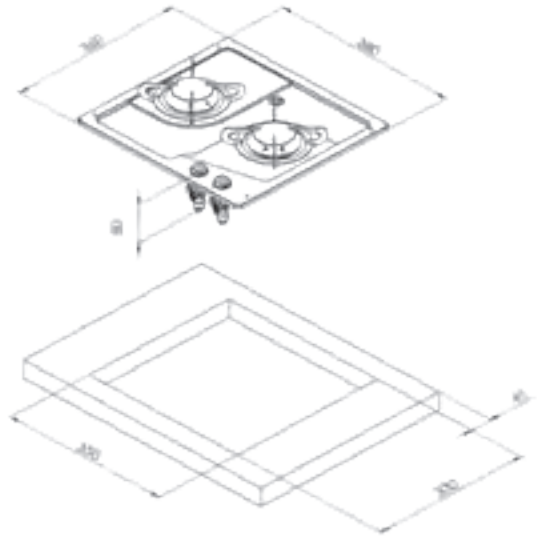
OPTIONAL





STANDARD





Width	380 mm
Depth	360 mm
Height	80 mm
Weight	3,6 kg
Burners	2SR

PC1323

Gas hob unit N°3 burners A-SR-R

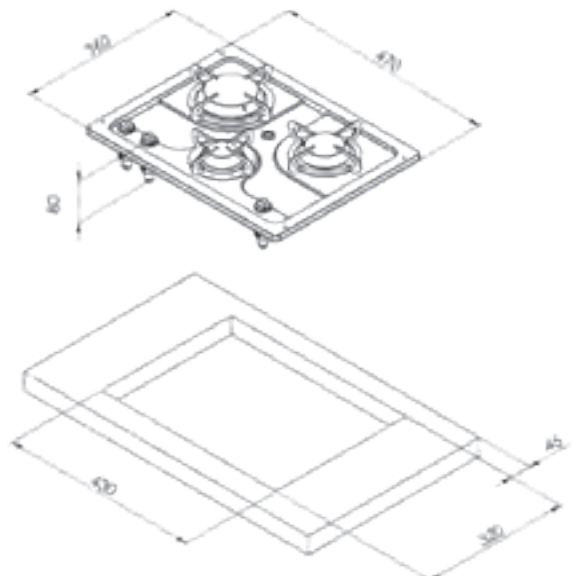
OPTIONAL



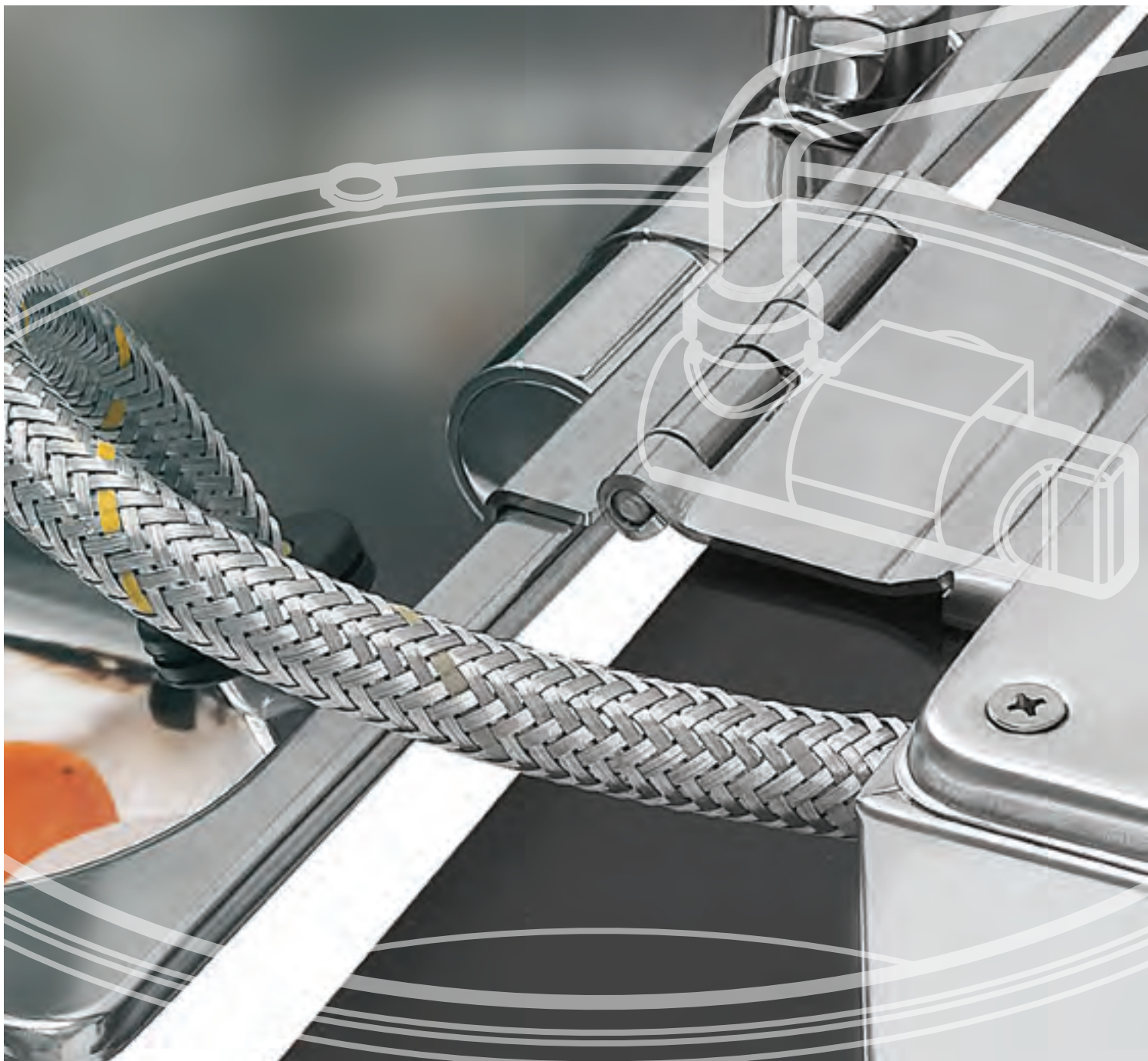


STANDARD





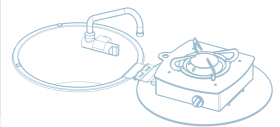
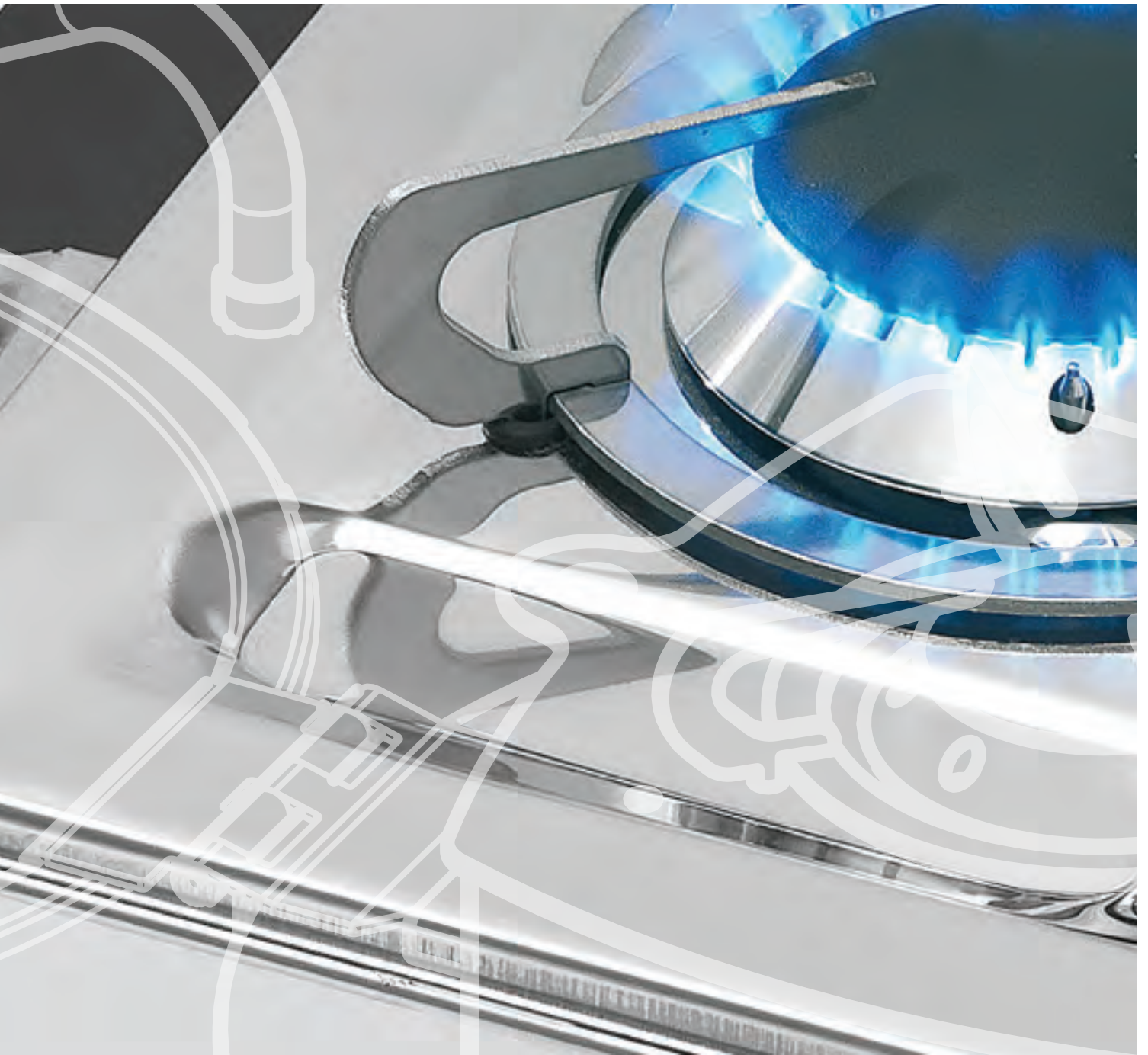
Width	470 mm
Depth	360 mm
Height	80 mm
Weight	4,6 kg
Burners	1A - 1SR - 1R



FOLDY

Everything concealed

The space of a sink can enclose much more. This is why CAN has created Foldy: the kitchen-unit with the concealed hob. The tempered glass burner support, once closed, disappears within the sink, hiding the hob and creating a practical table top.



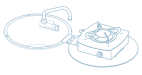
LC1701
LC1710

59
59



FOLDY





FOLDY

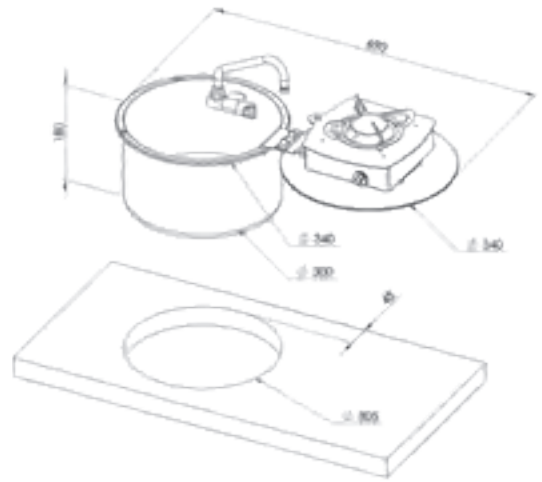
LC1701

Combined round N°1 turning burner SR

- OPTIONAL
 -
 -
 -
 -
 -
- STANDARD
 -
 -
 -
 -



Width	690 mm
Depth	340 mm
Height	180 mm
Weight	6 kg
Burners	1SR



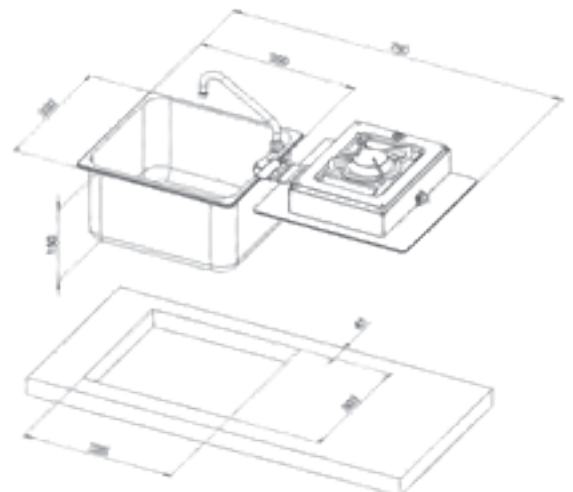
LC1710

Combined square N°1 turning burner SR

- OPTIONAL
 -
 -
 -
 -
 -
- STANDARD
 -
 -
 -
 -



Width	750 mm
Depth	320 mm
Height	150 mm
Weight	6 kg
Burners	1SR



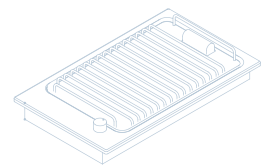
FOLDY



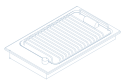
ELECTRICAL COOKING UNITS

The alternative to gas

Vitroc ceramic, induction, grill and electrical plates: if cooking by gas is not possible, CAN offer several alternatives. Electrical power supply has allowed the development of different style hobs, designed and produced with the same attention to detail.



PI3050	62
PI3051	62
PT1356	63
PT1358	63
PB1327	64
PB1328	64
FR1800	65
TP1900	65



ELECTRICAL COOKING UNITS

PI3050

Induction hob-unit N°2 cooking zone

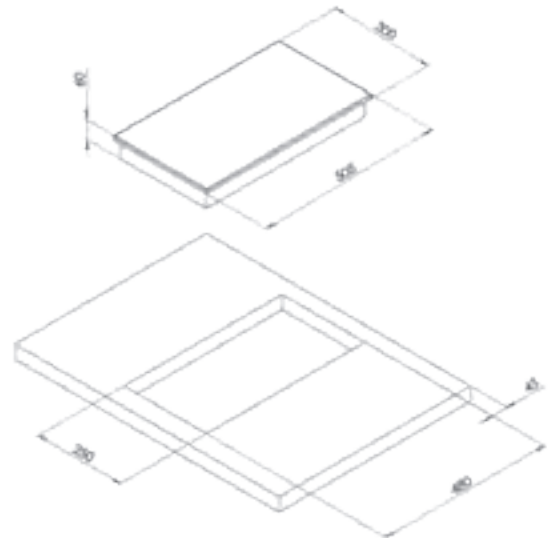
OPTIONAL



STANDARD



Width	300 mm
Depth	505 mm
Height	60 mm
Weight	5 kg
Cooking zone	N°1 coil Ø 145mm 1200W - N°1 coil Ø 210mm 1600W



PI3051

Induction hob-unit N°4 cooking zone

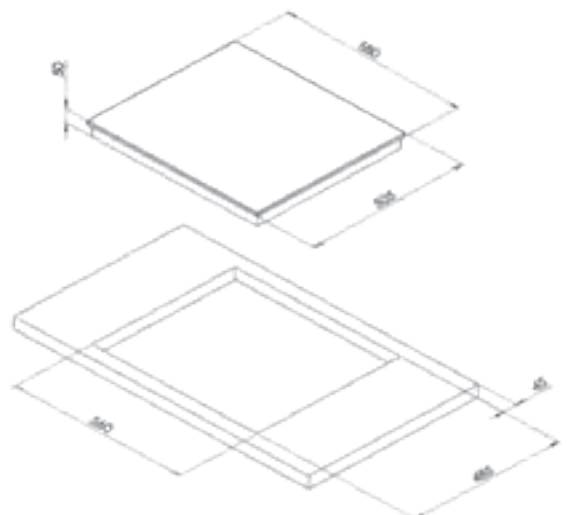
OPTIONAL

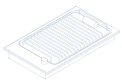


STANDARD



Width	580 mm
Depth	505 mm
Height	60 mm
Weight	8 kg
Cooking zone	N°2 coils Ø 145mm 1200W - N°2 coils Ø 210mm 1600W





ELECTRICAL COOKING UNITS

PT1356

Flush mounting vitroceramic hob-unit N°2 cooking zone

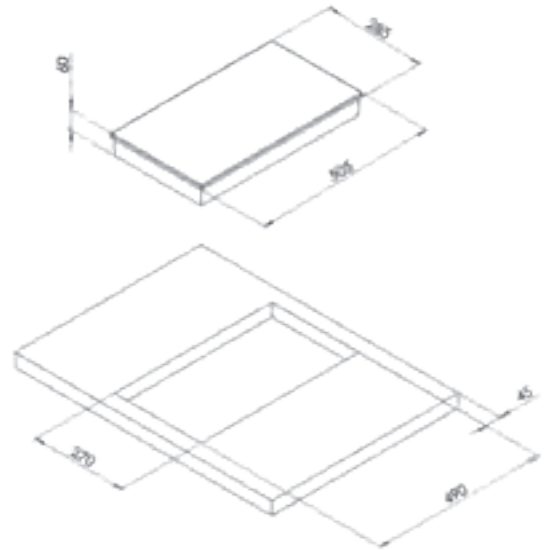
OPTIONAL



STANDARD



Width	285 mm
Depth	505 mm
Height	60 mm
Weight	5 kg
Cooking zone	N°1 coil Ø 145mm 1200W - N°1 coil Ø 180mm 1800W



ELECTRICAL COOKING UNITS

PT1358

Flush mounting vitroceramic hob-unit N°4 cooking zone

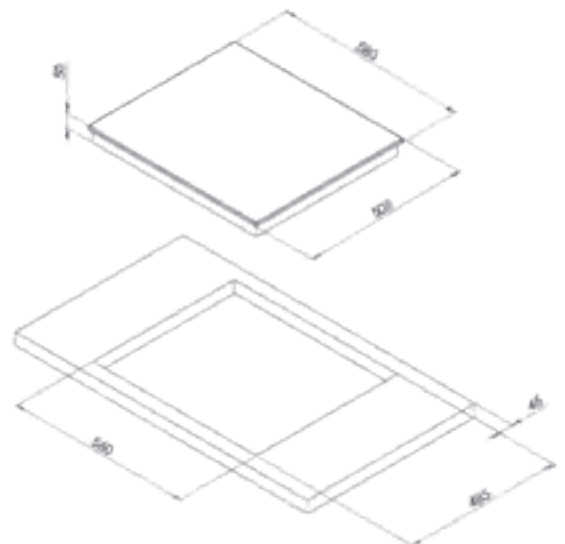
OPTIONAL

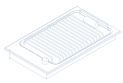


STANDARD



Width	580 mm
Depth	505 mm
Height	50 mm
Weight	8 kg
Cooking zone	N°2 coils Ø 145mm 1200W - N°2 coils Ø 180mm 1800W





ELECTRICAL COOKING UNITS

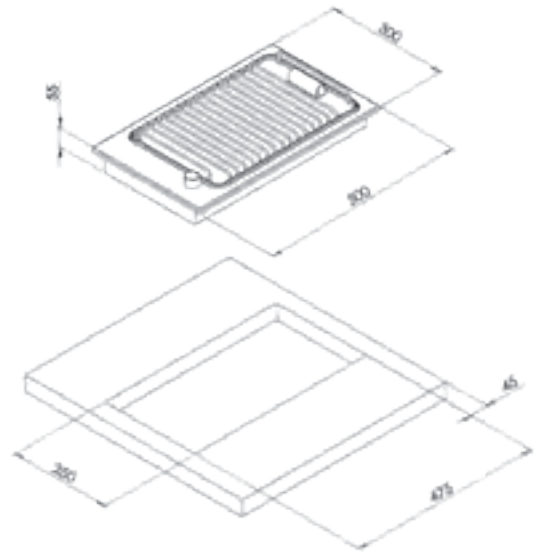
PB1327

OPTIONAL



Flush mounting electric barbecue with lava stone

The lava stone is brought to temperature by means of a resistance.



STANDARD



Width	300 mm
Depth	500 mm
Height	55 mm
Weight	7 kg
Power	2.4 kW

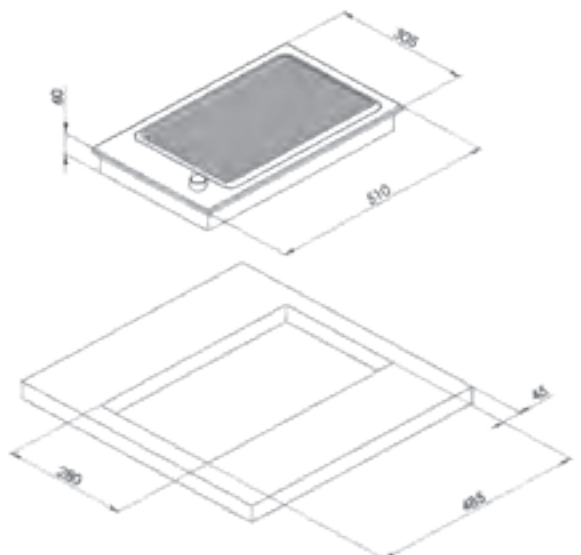
PB1328

OPTIONAL



Flush mounting electric hob

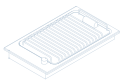
The special lined glass plate allows every type of cooking: by using a pan or by cooking directly on the grill.



STANDARD



Width	305 mm
Depth	510 mm
Height	60 mm
Weight	5,5 kg
Power	2,5 kW



ELECTRICAL COOKING UNITS

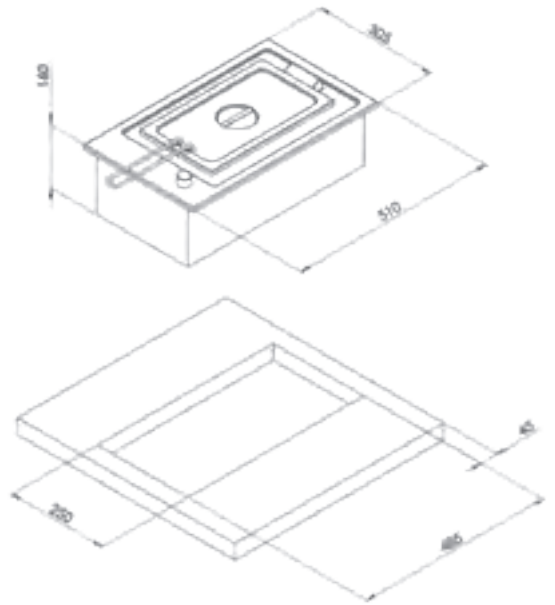
FR1800

STANDARD



Flush mounting electric fryer

The heating element is electrically power supplied and equipped with a thermostat which allows controlling the operating temperature perfectly.



Width	305 mm
Depth	510 mm
Height	160 mm
Weight	7 kg
Power	2.3 kW

ELECTRICAL COOKING UNITS

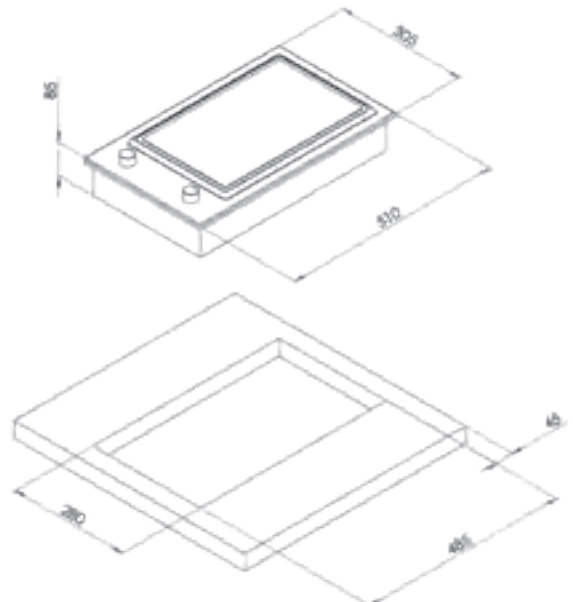
TP1900

OPTIONAL



Flush mounting Teppanyaki hob

The Teppanyaki plate is a stainless steel allergic surface, easy to clean and disinfect, ideal to cook meat, fish and vegetables.



STANDARD



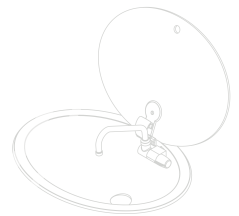
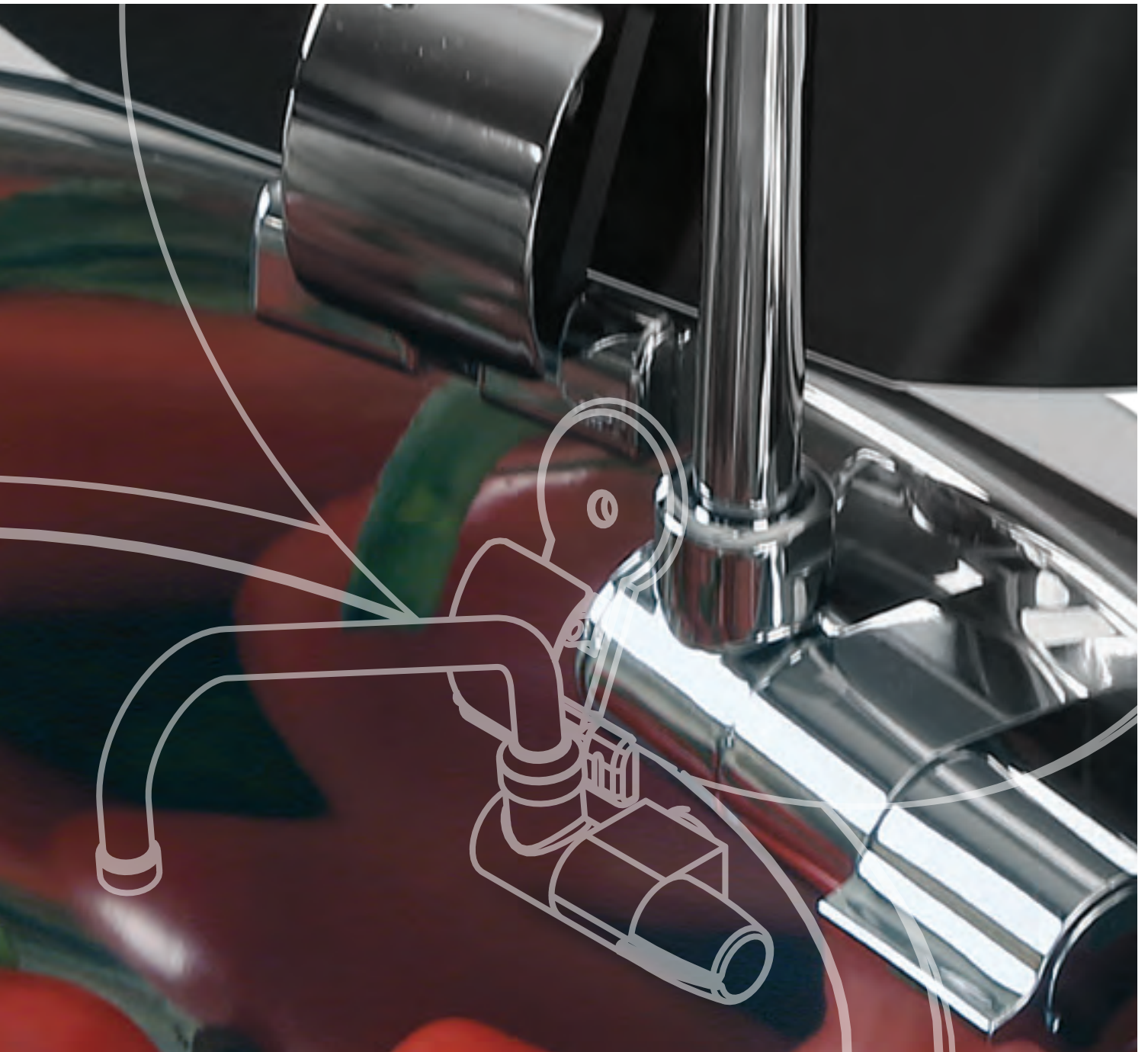
Width	305 mm
Depth	510 mm
Height	85 mm
Weight	8,5 kg
Power	2.4 kW



SINKS WITH FAUCET

And the sink disappears

The CAN stainless steel sinks are fully customisable due to the shapes and accessories offered. They're available in oval, round, or square shapes, and with different faucet variations. What do they have in common? Extreme attention to overall dimension and design: that can give a new table top with minimal space.



LR1450
LR1751
LR1760

68
68
69



SINKS WITH FAUCET

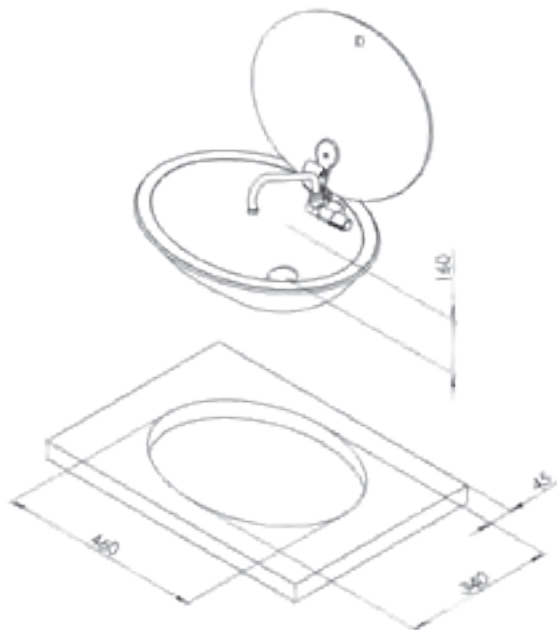
LR1450

Elliptic sink with tempered glass lid cover cold water

OPTIONAL



STANDARD



Width	460 mm
Depth	340 mm
Height	160 mm
Weight	4,5 kg
Mixer Tap	single

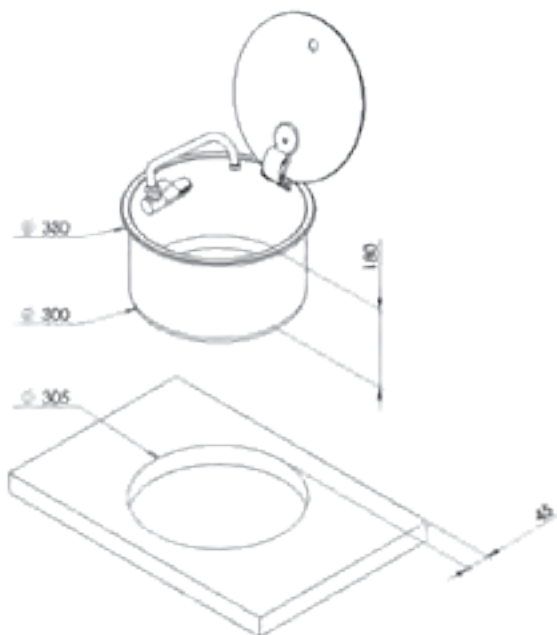
LR1751

Round sink with tempered glass cover

OPTIONAL



STANDARD



Diameter	300 mm
Height	180 mm
Weight	4,5 kg
Mixer Tap	single



SINKS WITH FAUCET

LR1760

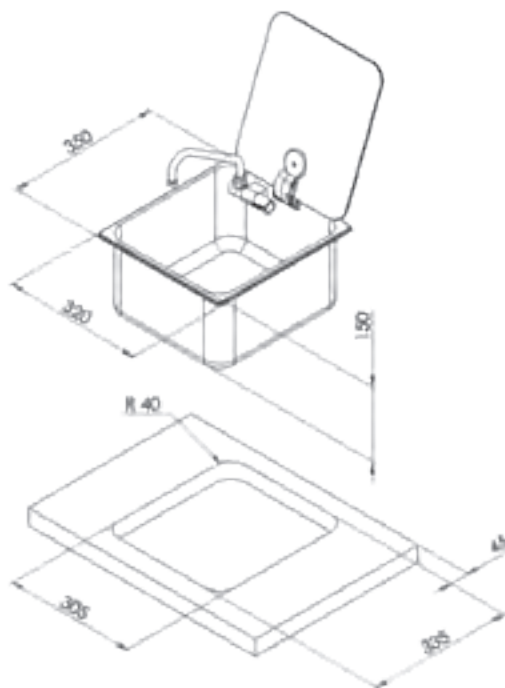
OPTIONAL



STANDARD



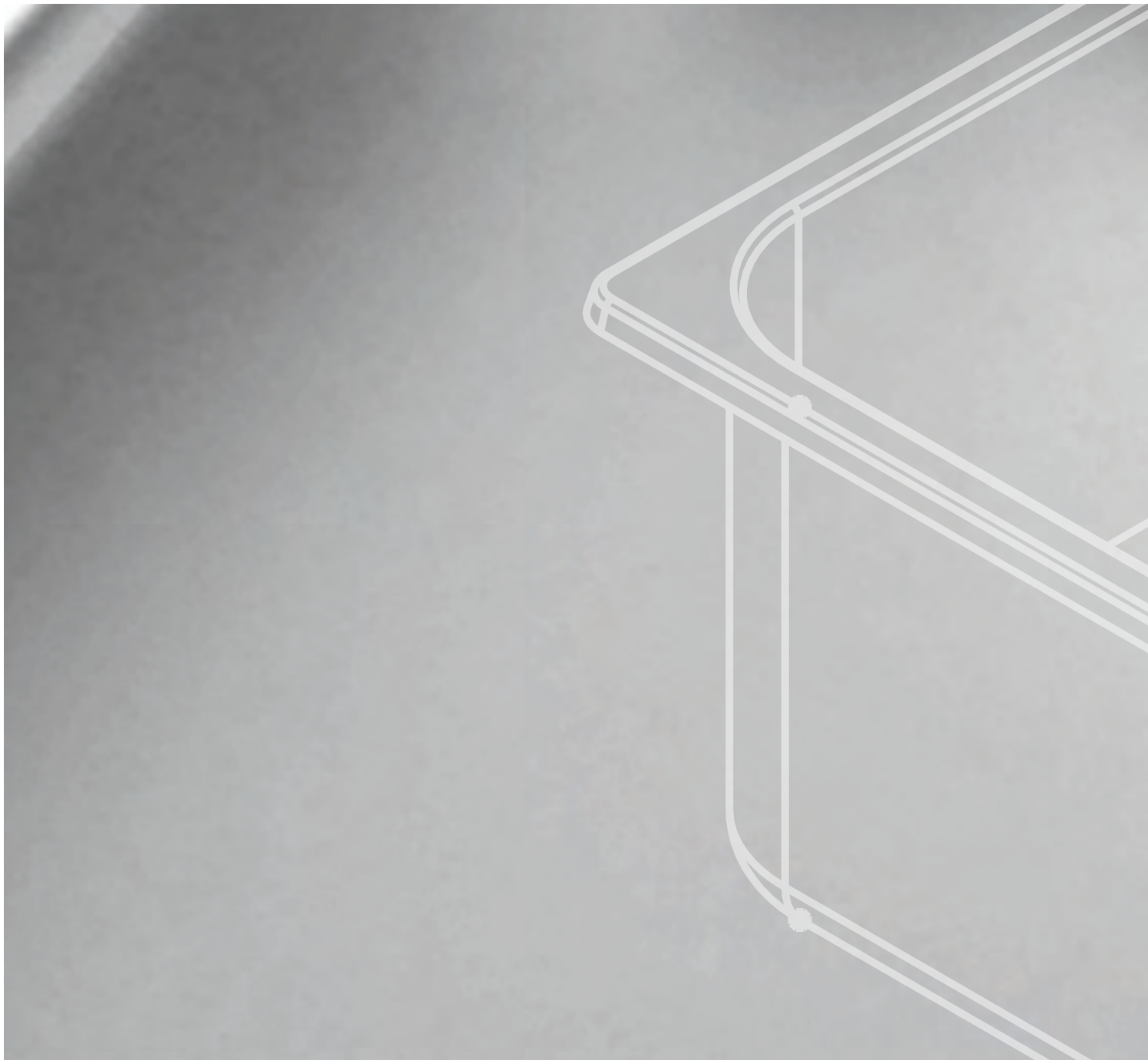
Rectangular sink with tempered glass cover



Width	320 mm
Depth	350 mm
Height	150 mm
Weight	4,5 kg
Mixer Tap	single



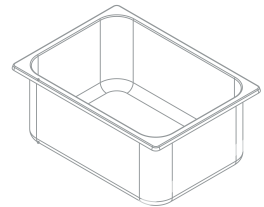
SINKS WITH FAUCET



SINKS

All the shapes of the water

For CAN, design is function and much more. The shape can become pure aesthetics and the opportunity to enhance the excellence of stainless steel, or of other materials. Sinks are an example, whether square, hemispheric, elliptical in stainless steel or glass. The architecture of every kitchen can thus always find a perfect recessed solution with customised shapes and dimensions.



LA1400	73	LA1418	78
LA1401	73	LA1420	78
LA1402	74	LA1418BA	79
LA1403	74	LA1403BA	79
LA1404	75	LA1499	80
LA1410	75	LA1489	80
LA1411	76	LA1479	81
LB1413	76		
LB1414	77		
LA1417	77		

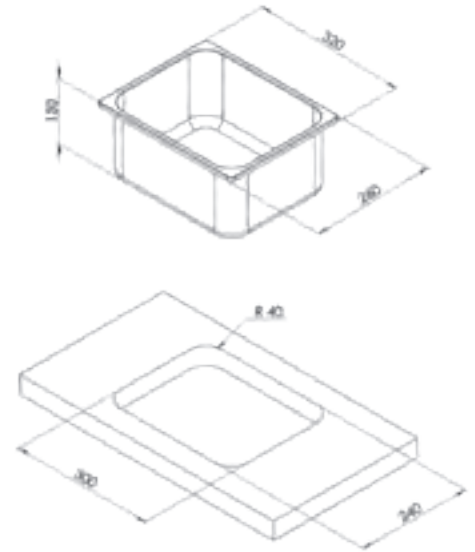




SINKS

LA1400

Rectangular semipolish sink



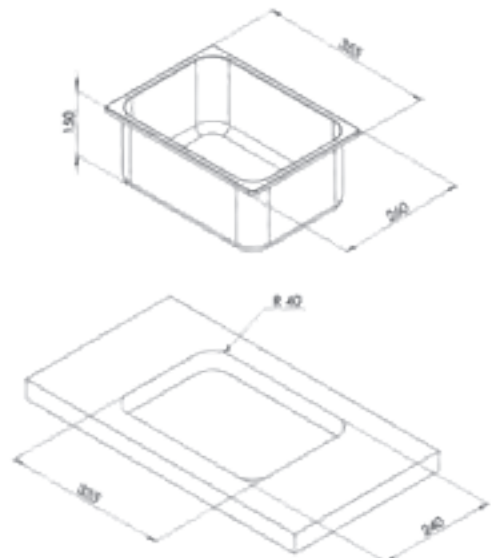
Width	320 mm
Depth	260 mm
Height	150 mm
Weight	1 kg

OPTIONAL



LA1401

Rectangular semipolish sink



Width	355 mm
Depth	260 mm
Height	150 mm
Weight	1,3 kg

OPTIONAL

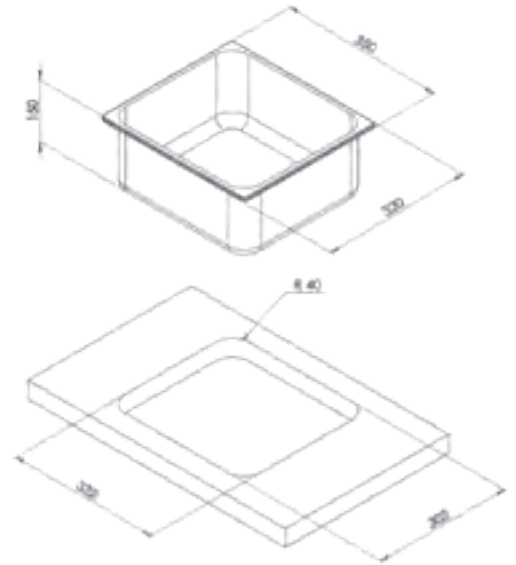




SINKS

LA1402

Rectangular semipolish sink



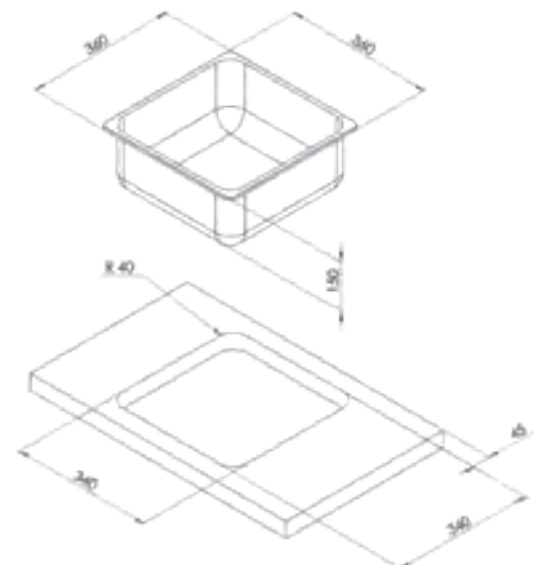
Width	350 mm
Depth	320 mm
Height	150 mm
Weight	1,5 kg

OPTIONAL



LA1403

Square semipolish sink



Width	360 mm
Depth	360 mm
Height	150 mm
Weight	1,6 kg

OPTIONAL

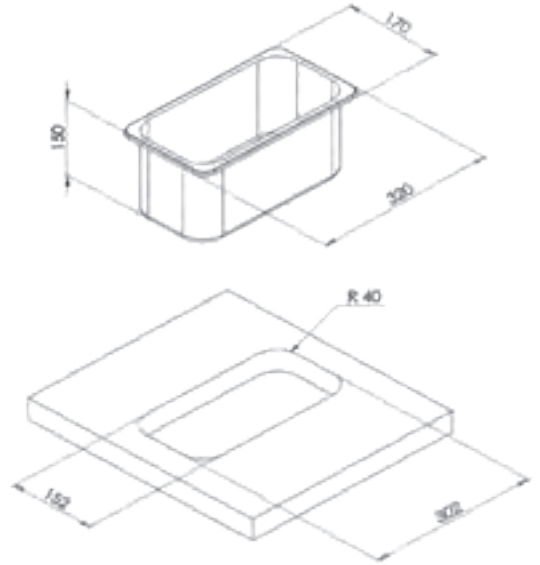




SINKS

LA1404

Rectangular semipolish sink



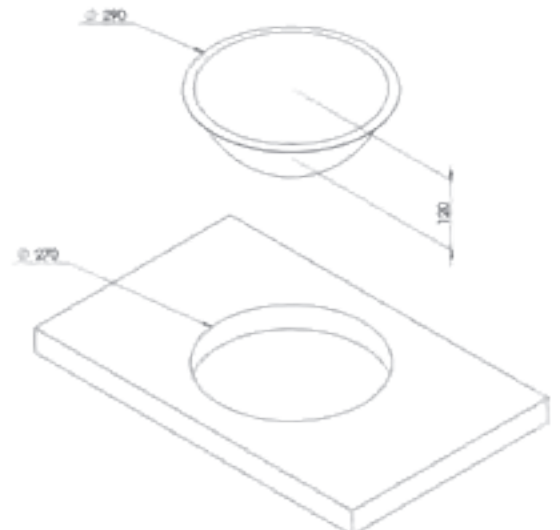
Width	170 mm
Depth	320 mm
Height	150 mm
Weight	0,8 kg

OPTIONAL



LA1410

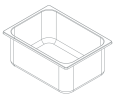
Semispheric mirror polish sink



External diameter	290 mm
Height	120 mm
Weight	0,6 kg

OPTIONAL

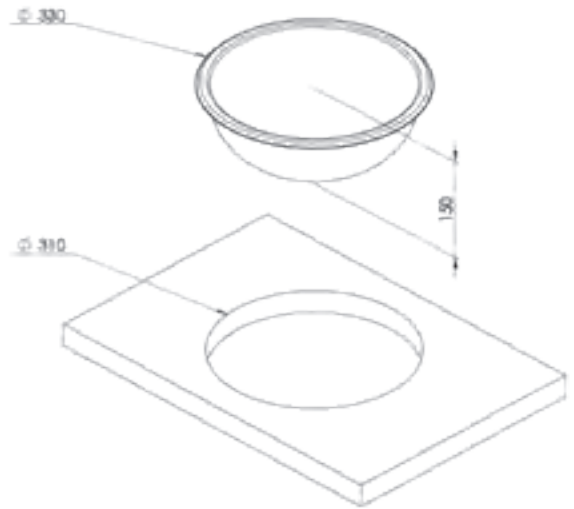




SINKS

LA1411

Semispheric mirror polish sink



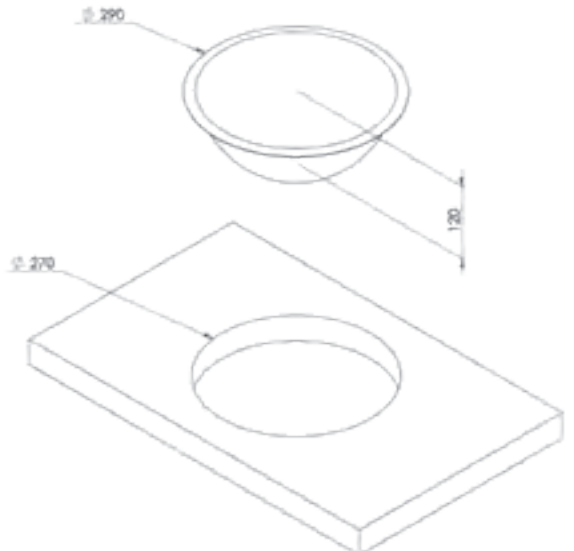
OPTIONAL



External diameter	330 mm
Height	150 mm
Weight	0,8 kg

LB1413

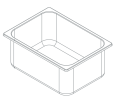
Semispheric white sink



OPTIONAL



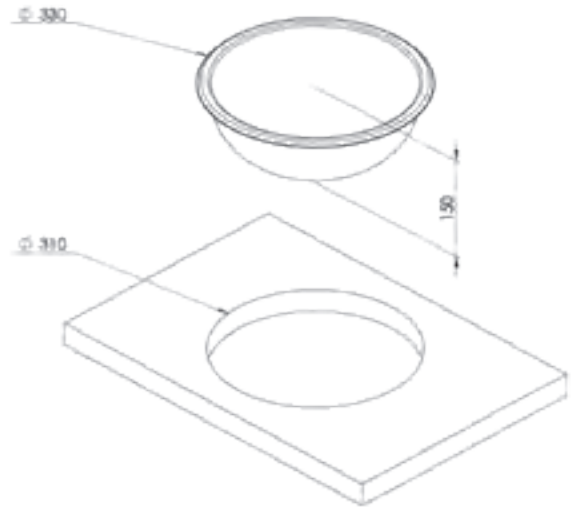
External diameter	290 mm
Height	120 mm
Weight	0,6 kg



SINKS

LB1414

Semispheric white sink



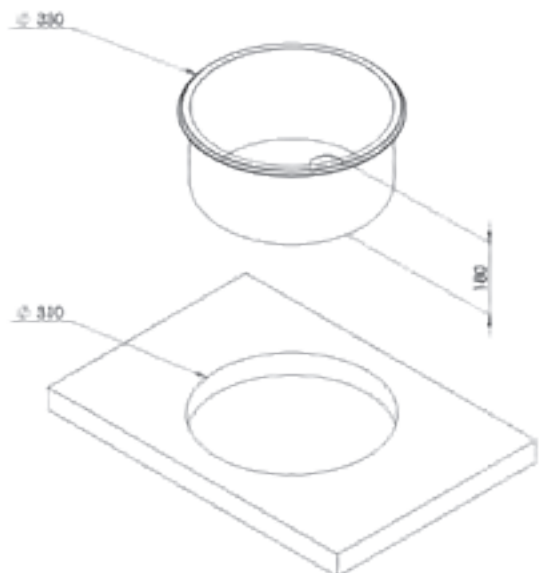
OPTIONAL



External diameter	330 mm
Height	150 mm
Weight	0,8 kg

LA1417

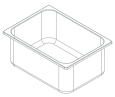
Round mirror polish sink



OPTIONAL



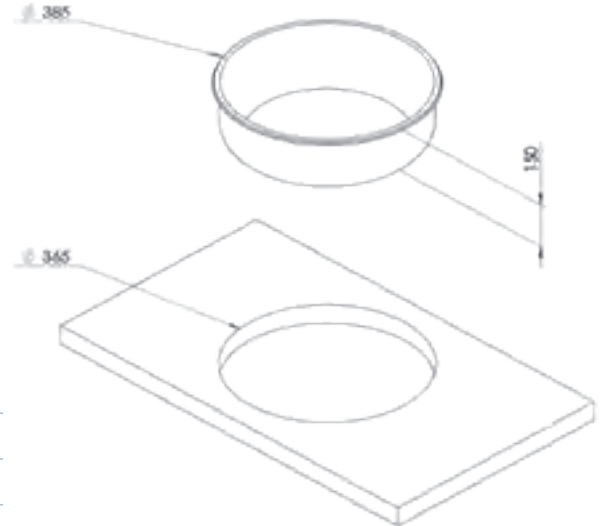
External diameter	330 mm
Height	180 mm
Weight	1,4 kg



SINKS

LA1418

Round mirror polish sink



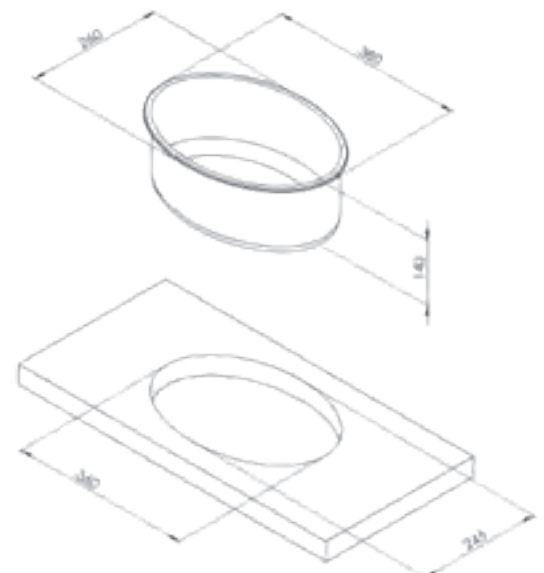
OPTIONAL



External diameter	385 mm
Height	150 mm
Weight	1,8 kg

LA1420

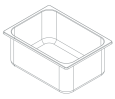
Elliptic mirror polish sink



OPTIONAL



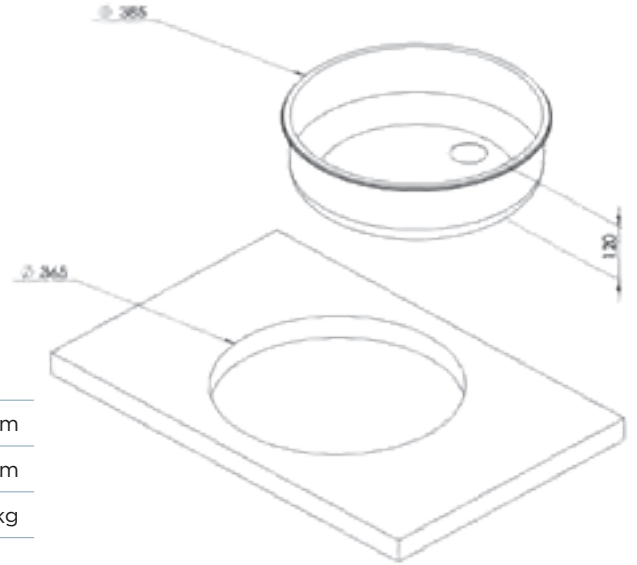
Width	380 mm
Depth	260 mm
Height	140 mm
Weight	1,3 kg



SINKS

LA1418BA

Round matte finish sink



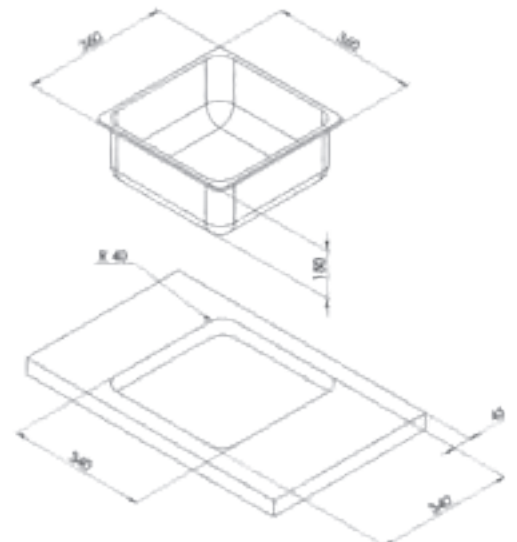
OPTIONAL



External diameter	385 mm
Height	120 mm
Weight	1,5 kg

LA1403BA

Square matte finish sink



OPTIONAL



Width	360 mm
Depth	360 mm
Height	150 mm
Weight	1,6 kg

SINKS



SINKS

LA1499

Semispheric glass sink

Waste not included.

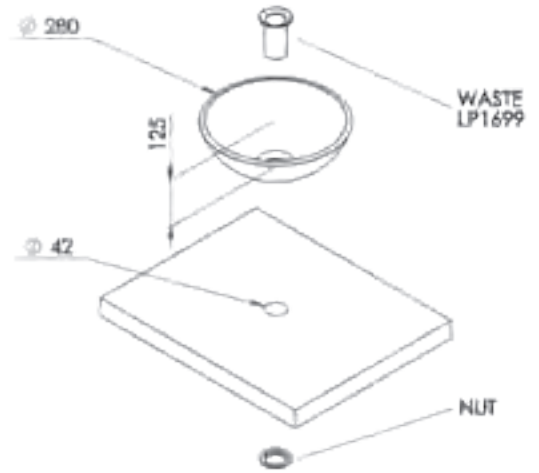
OPTIONAL



STANDARD



External diameter	280 mm
Height	110 mm
Weight	2,2 kg



LA1489

Semispheric glass sink

Waste not included.

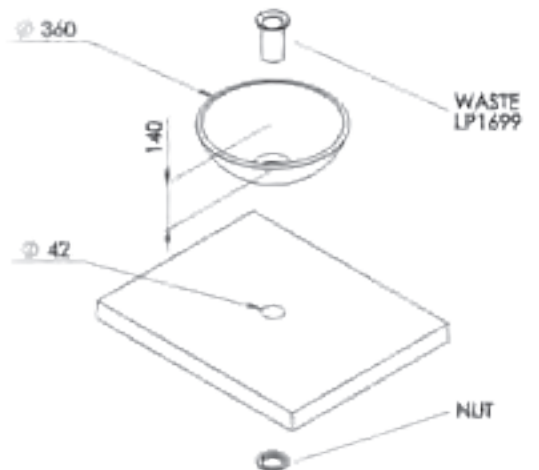
OPTIONAL



STANDARD



External diameter	360 mm
Height	125 mm
Weight	3,6 kg





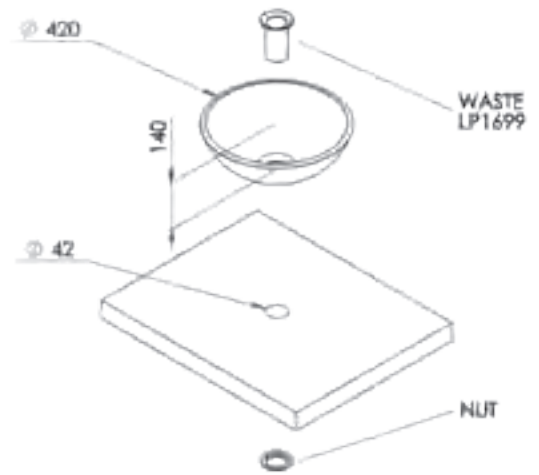
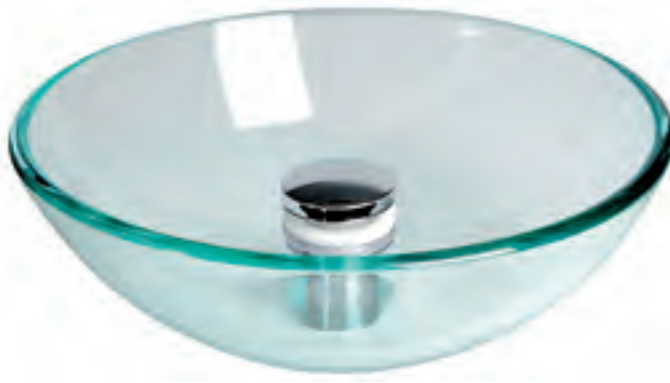
SINKS

LA1479

Semispheric glass sink

Waste not included.

OPTIONAL



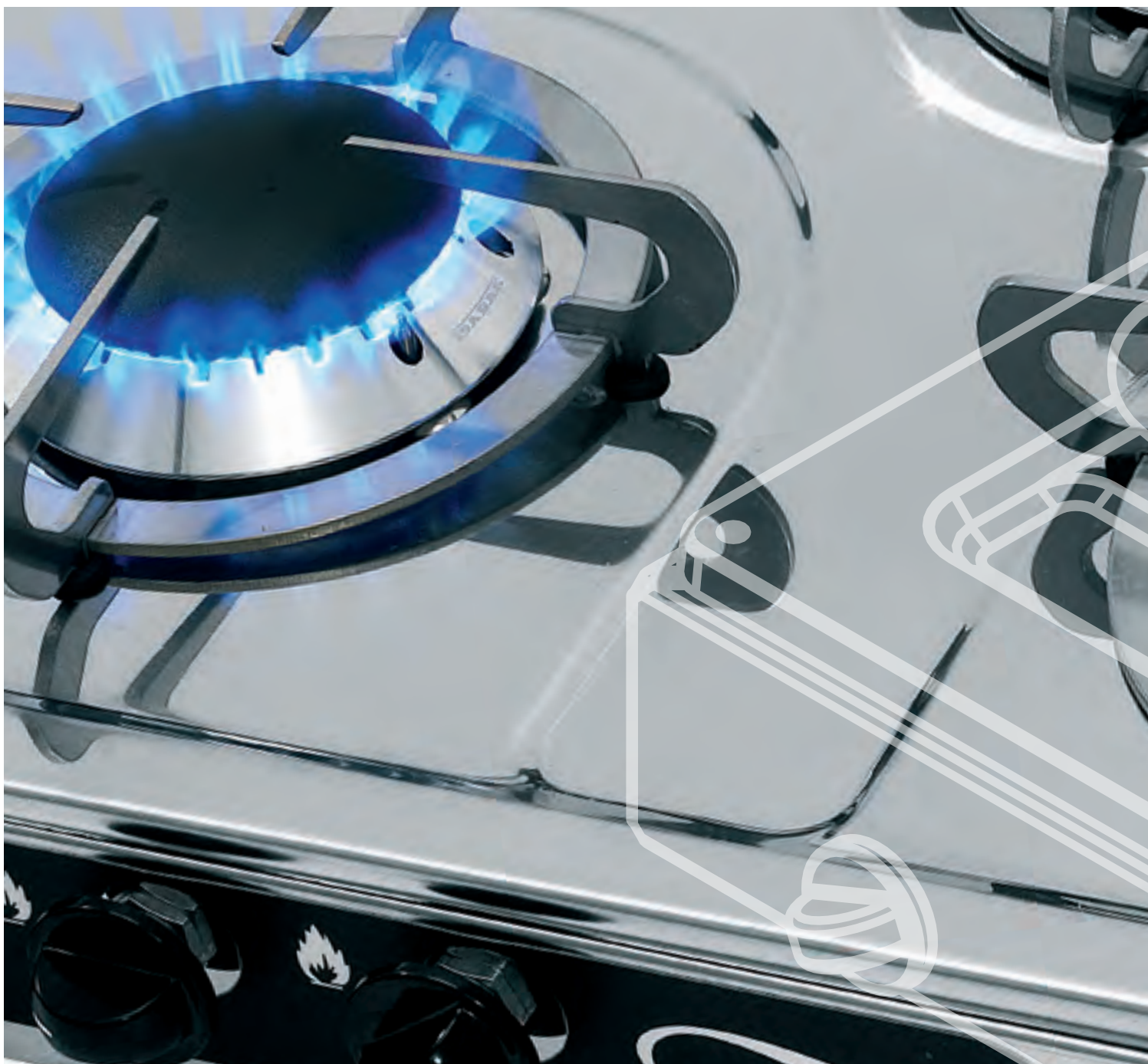
STANDARD



External diameter	420 mm
Height	140 mm
Weight	4,2 kg



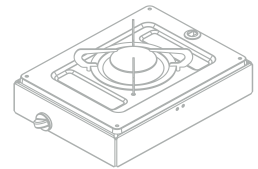
SINKS



OUTDOOR

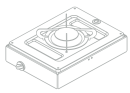
Hobs as supports: always free to cook

When a dedicated cooking area is not needed, but it is the freedom of action to guide the choice of the ideal stove, CAN offer the support solutions. The gas stoves of the Hotty line allow a free installation and make every surface a perfect hob, to cook hot meals in any situation.



FN1330
FN1332
FN1335

84
84
85



OUTDOOR

FN1330

Gas stoves N°1 burner SR

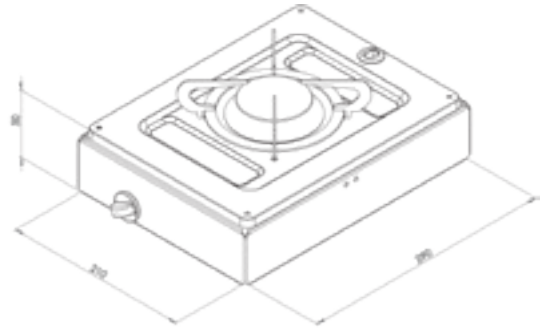
OPTIONAL



STANDARD



Width	210 mm
Depth	290 mm
Height	90 mm
Weight	2 kg
Burners	1SR



FN1332

Gas stoves N°2 burners A-SR

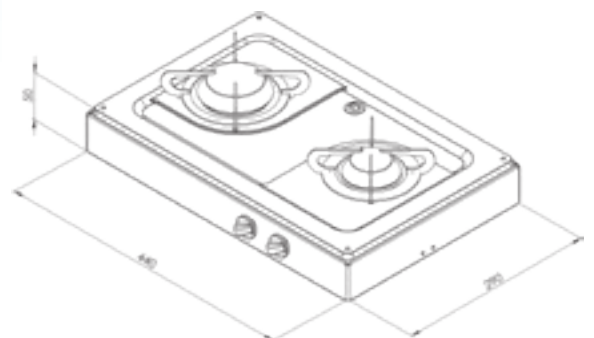
OPTIONAL

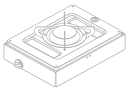


STANDARD



Width	440 mm
Depth	290 mm
Height	90 mm
Weight	4 kg
Burners	1A - 1SR





OUTDOOR

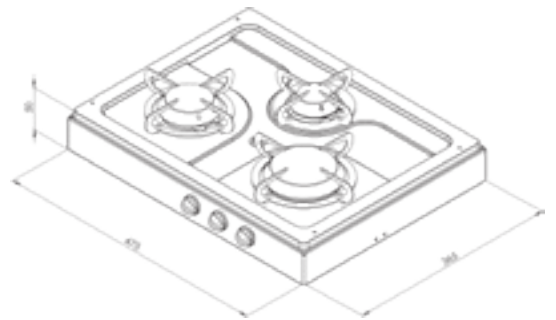
FN1335

Gas stoves N°3 burners A-SR-R

OPTIONAL



STANDARD



Width	475 mm
Depth	365 mm
Height	90 mm
Weight	5 kg
Burners	1SR - 1R - 1A



OUTDOOR



ACCESSORIES

The difference is in the details

It is a pan-holder that stabilises every item on the hob with a retractable tap and a seal that reduces vibrations. These are the details that make the difference. They are much more than just options, the accessories for CAN are the recipients of a particular research, making quality a really complete promise.



CL1552	88	RB1853	91	RB1489	93
CL1536	88	RB1854	91	FP1320	94
LP1600	89	RB1855	92	FP1321	94
LP1601	89	RB1481	92	PV1370	94
LP1602	89	RB1482	92	PV1371	94
LP1610	89	RB1856	92	PV1372	95
LP1800	90	RB1485	93	RS3000	95
LP1000	90	RB1486	93	FB2020	95
LP1616	90	RB1487	93	SL9000	95
LP1699	90	RB1488	93		

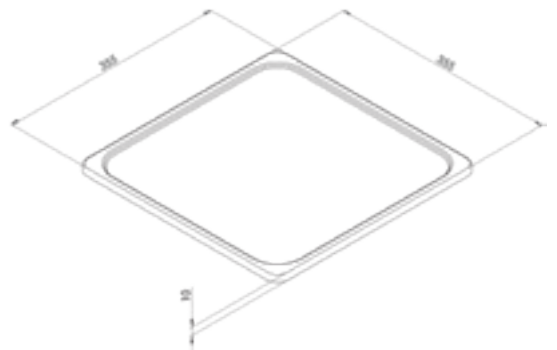
ACCESSORIES

CL1552

Square sink cover



Width	355 mm
Depth	355 mm
Weight	0,8 kg
For Article	LA1403

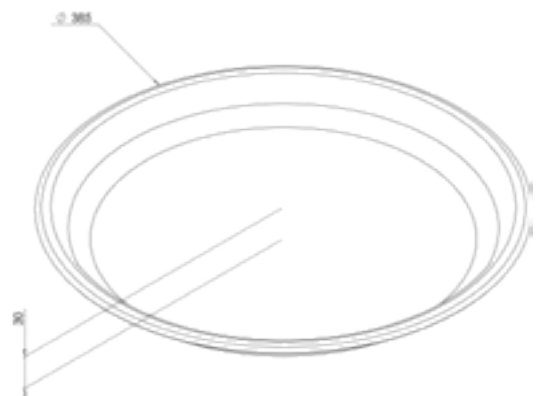


CL1536

Round sink cover



Diameter	385 mm
Weight	1,2 kg
For Article	LA1418



ACCESSORIES

LP1600



Straight spare waste with cap 1 1/4"

LP1601



Straight discharge hose nipple Ø 25 mm 1 1/4"

LP1602



90° discharge hose nipple Ø 25 mm 1 1/4"

LP1610



Straight spare waste with cap 1 1/2"

ACCESSORIES

LP1800



90° spare waste multi diameter
Ø 20 mm
Ø 25 mm

LP1000



Universal waste cap 1 1/2"

LP1616



Straight spare waste with cap 1 1/2" with over flow
waste discharging hole

LP1699



Straight spare waste "easy-click" 1 1/4" for glass sink

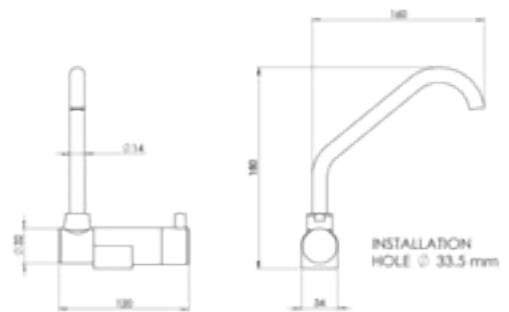
ACCESSORIES



RB1853



Single lever mixer
Hot and cold water.



RB1854



Single control tap with removable shower mounted on 1500 mm flexible tube
Hot and cold water.



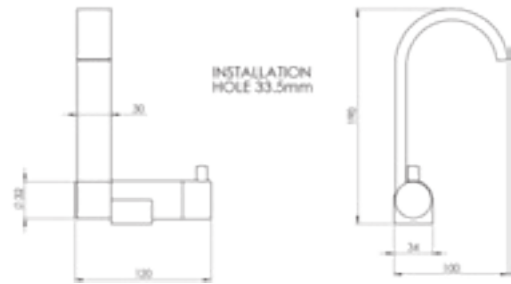
ACCESSORIES

RB1855



Single lever mixer square spout

Hot and cold water.

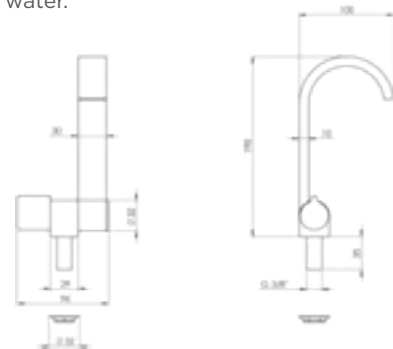


RB1481



Chrome plate tap single hand faucet square spout

Cold water.

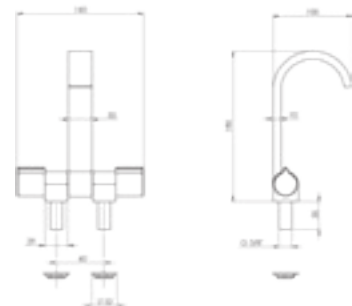


RB1482



Chrome plate tap two hands faucet square spout

Hot and cold water.

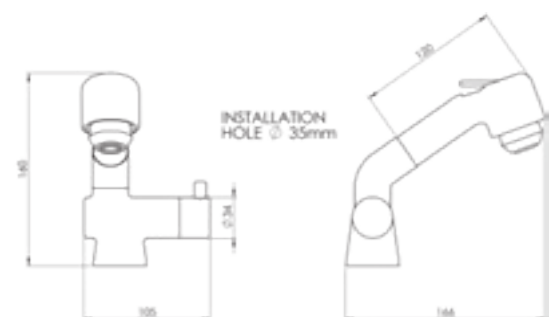


RB1856



Mixer with removable shower mounted on 1500 mm flexible tube

Hot and cold water.



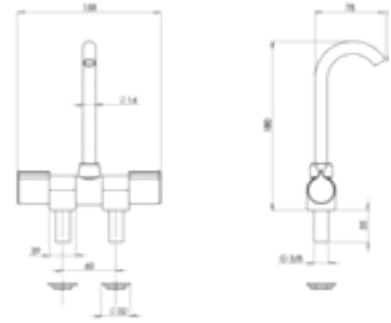
ACCESSORIES

RB1485



Chrome plate tap two hands

Hot and cold water

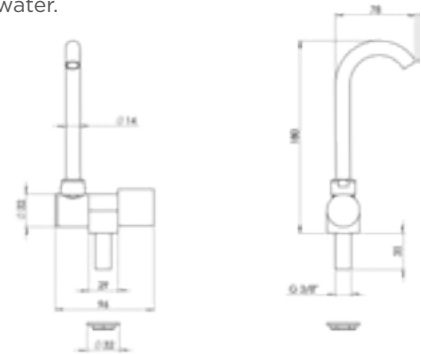


RB1486



Chrome plate tap single hand

Cold water.

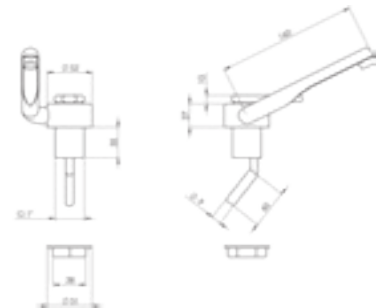


RB1487 - RB1488



Plastic chrome single tap, micro switch 12 V

Cold water tap and hot & cold water mixer.

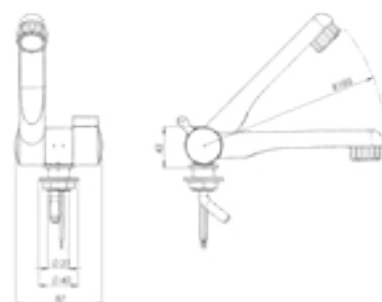


RB1489



Plastic chrome single tap, micro switch 12 V

Cold water.



ACCESSORIES

FP1320



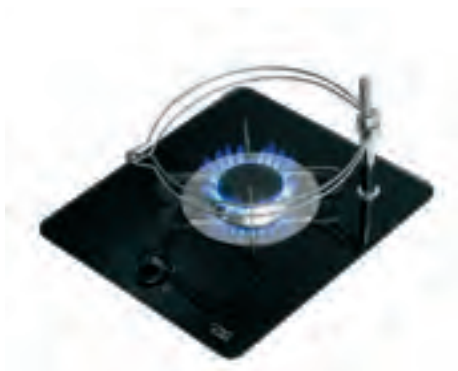
Stainless-Steel Pan-Holder with N°1 pincer

FP1321



Stainless-Steel Pan-Holder with N°2 pincers

PV1370



Column kit Pan-Holder suitable for all CAN hob-units
N°1 pot

PV1371



Column kit Pan-Holder suitable for all CAN hob-units
N°2 pots

ACCESSORIES

PV1372



Column kit Pan-Holder suitable for all CAN hob-units
N°3 pots

RS3000



Rubber Seal

FB2020



Teflon coated aluminium grill plate

SL9000



Silicon sealant

A high-speed photograph of a hand splashing water against a black background. The water is captured in mid-air, creating a spray of droplets and bubbles. A white rectangular box is overlaid on the lower-left portion of the image, containing the text "Press Review".

Press Review



CAN S.r.l. - Via Nazario, 25 - 20085 Poggiatele (MI) - Italia - 0462
 Tel. +39 0362 55559 (r.a.) - Fax +39 0362 551822
 E-mail: info@can.it - Web: www.can.it

Higher kitchen, smaller space

Leader in the production of hobs, sinks, cookers, ovens and other accessories for boats, CAN is active also in the RV sector for many years and showcases, at Caravan Salon 2017 in Düsseldorf, its new range with some unreleased product and some interesting restyling.

Words Giorgio Capri

FITTED COMBINATION HOV - 15, 1400

2017 has also brought with it a renewal of some key products in CAN's production: the most significant restyling concerned the H 1400 model, for those who don't know, this is a fitted oven combination hob, in production since 2013, which incorporates a basin and two burners in a single combined hob. This model type, particularly appreciated for its compact dimensions and the quality of its components, remained faithful with the rest of the following up on the latest style and component requirements. Instead, the greatest alteration in the main dimensions (length 714 mm, depth 342 mm) led by reducing the height of the hob to favor "displacement" installations, the new version H 1400 M712. A hob, also bringing with it a new restyling now featuring a great family feeling with the other components in the FC fitting packs resulting in a more unified look.

As for the hob, it is a single large panel, made of black enameled steel, available in a single piece and in all sizes and permitting "discovery" from one burner to another without lifting the pans from the grate - a large basin for washing hot and dirty, an interesting saving hob cleaning system with single or double side doors over depending on the requirements of the end user.

Available in 4 configurations, the new hob is made in Italy, designed and available while maintaining the same technical and functional characteristics.



MINGOILL - CU 7000

The CU 7000 is a very small cooker, developed for applications on boat campers and people caravans. The concept for this product is drawn from the top water (the CU300), from which it takes the structure, essential system, built quality, finish and materials. The hob (the oven) retains the special oven burner with a grill burner installed at the top of the oven, able to produce perfectly cooked dishes characteristic of the golden-brown surface typical with domestic appliances of this type. This is an extremely versatile product, which takes its dimensions and ease of use as its strong points. This product can also be modified in all its components and the CU3000 main dimensions and general aesthetic.



Higher kitchen, smaller space

Leader in the production of hobs, sinks, cookers, ovens and other accessories for boats, CAN is active also in the RV sector for many years and showcases, at Caravan Salon 2017 in Düsseldorf, its new range with some unreleased product and some interesting restyling.

Words Giorgio Capri

FITTED COMBINATION HOV - 15, 1400

2017 has also brought with it a renewal of some key products in CAN's production: the most significant restyling concerned the H 1400 model, for those who don't know, this is a fitted oven combination hob, in production since 2013, which incorporates a basin and two burners in a single combined hob. This model type, particularly appreciated for its compact dimensions and the quality of its components, remained faithful with the rest of the following up on the latest style and component requirements. Instead, the greatest alteration in the main dimensions (length 714 mm, depth 342 mm) led by reducing the height of the hob to favor "displacement" installations, the new version H 1400 M712. A hob, also bringing with it a new restyling now featuring a great family feeling with the other components in the FC fitting packs resulting in a more unified look.

As for the hob, it is a single large panel, made of black enameled steel, available in a single piece and in all sizes and permitting "discovery" from one burner to another without lifting the pans from the grate - a large basin for washing hot and dirty, an interesting saving hob cleaning system with single or double side doors over depending on the requirements of the end user.

Available in 4 configurations, the new hob is made in Italy, designed and available while maintaining the same technical and functional characteristics.



MINGOILL - CU 7000

The CU 7000 is a very small cooker, developed for applications on boat campers and people caravans. The concept for this product is drawn from the top water (the CU300), from which it takes the structure, essential system, built quality, finish and materials. The hob (the oven) retains the special oven burner with a grill burner installed at the top of the oven, able to produce perfectly cooked dishes characteristic of the golden-brown surface typical with domestic appliances of this type. This is an extremely versatile product, which takes its dimensions and ease of use as its strong points. This product can also be modified in all its components and the CU3000 main dimensions and general aesthetic.



No limits anymore

Barbecue for boating and free time

Discover the new CAN barbecue, designed for boating and free time. It features a compact design, easy installation, and a wide range of cooking options. The barbecue is made of high-quality materials and is built to last. It is perfect for use on boats, campers, and in the garden. The barbecue has a built-in grill and a large cooking area. It is easy to use and clean. The barbecue is available in several colors and finishes. It is a great addition to any outdoor kitchen.

Discover the new CAN barbecue, designed for boating and free time. It features a compact design, easy installation, and a wide range of cooking options. The barbecue is made of high-quality materials and is built to last. It is perfect for use on boats, campers, and in the garden. The barbecue has a built-in grill and a large cooking area. It is easy to use and clean. The barbecue is available in several colors and finishes. It is a great addition to any outdoor kitchen.

From boating to the outdoors

Can enters the recreational vehicle market

Can has entered the recreational vehicle market with a range of products designed for use on boats, campers, and in the garden. The products are made of high-quality materials and are built to last. They are easy to use and clean. The products are available in several colors and finishes. They are a great addition to any outdoor kitchen.

Can has entered the recreational vehicle market with a range of products designed for use on boats, campers, and in the garden. The products are made of high-quality materials and are built to last. They are easy to use and clean. The products are available in several colors and finishes. They are a great addition to any outdoor kitchen.

Innovation by CAN

RV 1300 Essential

Discover the new CAN RV 1300 Essential, a compact and efficient refrigerator designed for use in recreational vehicles. It features a built-in grill and a large cooking area. The refrigerator is made of high-quality materials and is built to last. It is easy to use and clean. The refrigerator is available in several colors and finishes. It is a great addition to any outdoor kitchen.

Discover the new CAN RV 1300 Essential, a compact and efficient refrigerator designed for use in recreational vehicles. It features a built-in grill and a large cooking area. The refrigerator is made of high-quality materials and is built to last. It is easy to use and clean. The refrigerator is available in several colors and finishes. It is a great addition to any outdoor kitchen.

Discover Grill - the electric grill

Company Profile

Can is a leader in the production of hobs, sinks, cookers, ovens and other accessories for boats, campers, and in the garden. The products are made of high-quality materials and are built to last. They are easy to use and clean. The products are available in several colors and finishes. They are a great addition to any outdoor kitchen.

Can is a leader in the production of hobs, sinks, cookers, ovens and other accessories for boats, campers, and in the garden. The products are made of high-quality materials and are built to last. They are easy to use and clean. The products are available in several colors and finishes. They are a great addition to any outdoor kitchen.

From nautical world with passion

Crystal sets a new standard

Can has entered the recreational vehicle market with a range of products designed for use on boats, campers, and in the garden. The products are made of high-quality materials and are built to last. They are easy to use and clean. The products are available in several colors and finishes. They are a great addition to any outdoor kitchen.

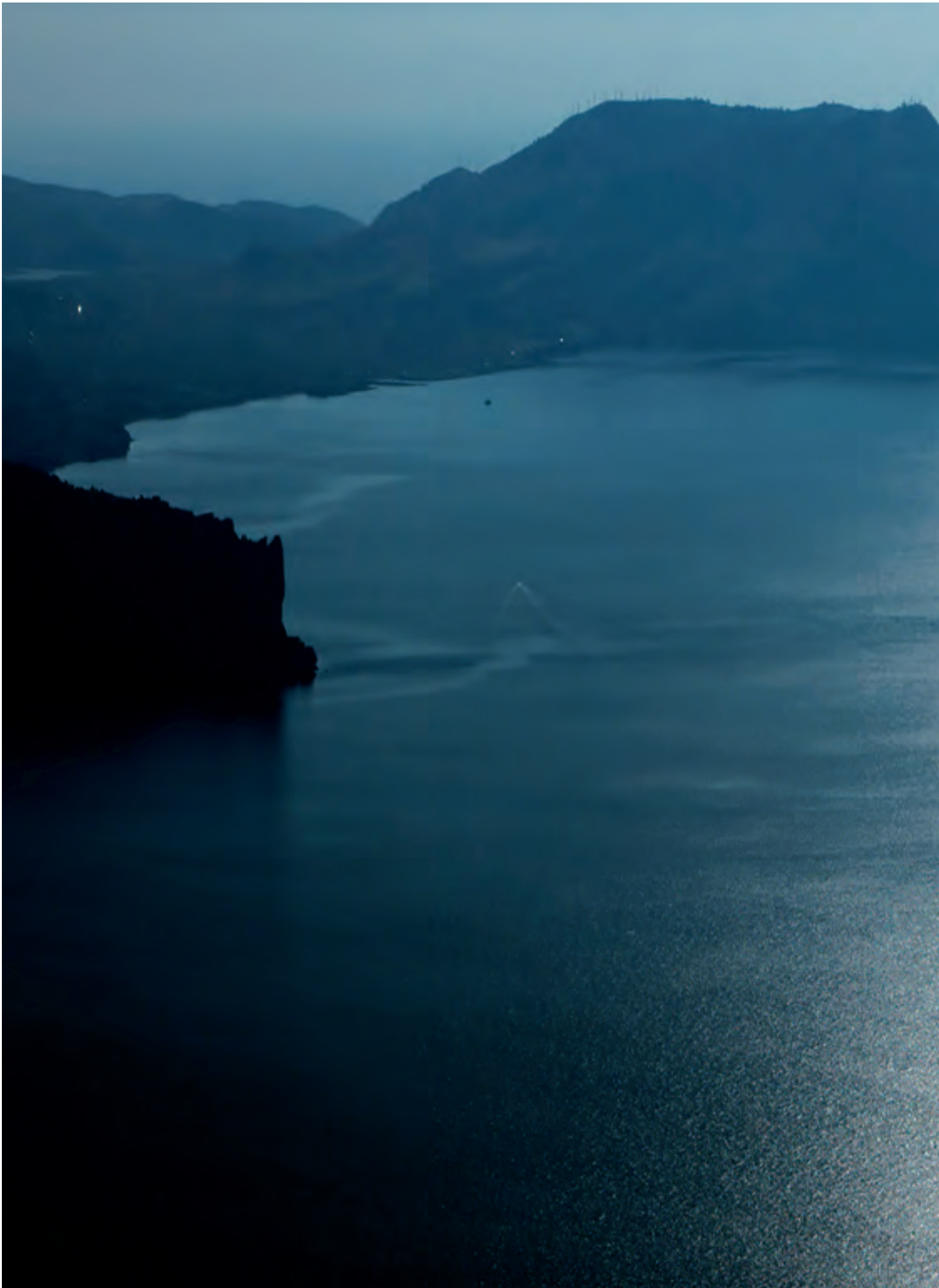
Can has entered the recreational vehicle market with a range of products designed for use on boats, campers, and in the garden. The products are made of high-quality materials and are built to last. They are easy to use and clean. The products are available in several colors and finishes. They are a great addition to any outdoor kitchen.

A barbecue, you know, many solutions

The oven in the motorhome includes a grill as well

Can has entered the recreational vehicle market with a range of products designed for use on boats, campers, and in the garden. The products are made of high-quality materials and are built to last. They are easy to use and clean. The products are available in several colors and finishes. They are a great addition to any outdoor kitchen.

Can has entered the recreational vehicle market with a range of products designed for use on boats, campers, and in the garden. The products are made of high-quality materials and are built to last. They are easy to use and clean. The products are available in several colors and finishes. They are a great addition to any outdoor kitchen.







LEGEND ICONS



thermocouple flame failure device



LPG 28-30 mbar



under knob electronic ignition 12V



switch electronic ignition 12V



piezo ignition



electric



touch control slim panel



tempered glass



pot holder



rubber seal



child lock



gimbals FP1315



waste



hot/cold water



cold water



fixing kit



hole for water tap diam 33,5mm

SPECIFICATION BURNERS

	Burner type	Power	Consumption
A	Auxiliary	1000W	73 g/h
SR	Semi-rapid	1900W	127 g/h
R	Rapid	3000W	218 g/h



CAN SRL

Via Nazionale 65,
25080 - Puegnago del Garda (BS) ITALY

T. +39 0365 555909
F. +39 0365 651822

info@cansrl.com
www.cansrl.com