

"We Make The Best Boats Better"



HYDROPLANE

HYDRODYNAMIC AUTOMATIC TRIM TAB SYSTEM FOR SMALL BOATS



KEY FEATURES

- No Maintenance / No Pilot Interface
- Installation in Minutes
- Faster Time to Plane
- Up to 50% more effective than Hydrofoils
- Creates Balance
- Reduces Fuel Consumption

Designed for boats 2.4m to 4.8m in length with up to 40 HP

- The HydroPlane system features dynamic hinge technology that reacts to water pressure and boat speed to produce a smoother ride and better handling.
- Thermo-moulded composite construction provides superior strength and resilience in any water conditions.
- The autonomous trim plates become an extension of the boat's running surface and requires no external activation.
- Results in faster time to plane, better overall stability and the elimination of common problems like porpoising and chine walking which even centralised outboard mounted hydrofoils fail to counter.
- HydroPlane tabs provides the port-to-starboard balance that centralised hydrofoils cannot.

Without HydroPlane



With HydroPlane



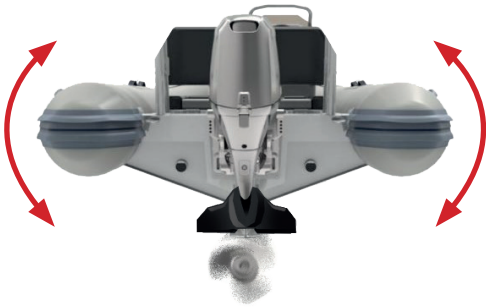
"We Make The Best Boats Better"



HYDROPLANE

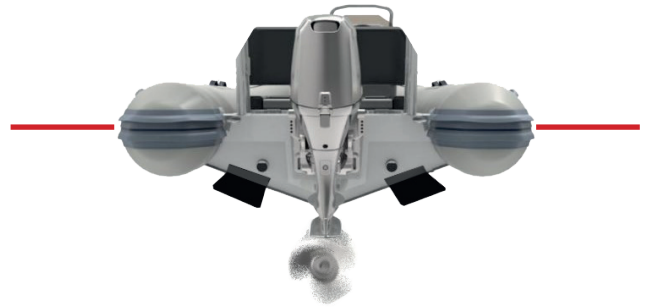
HYDRODYNAMIC AUTOMATIC TRIM TAB SYSTEM FOR SMALL BOATS

Better Stability with HydroPlane Tabs Over Hydrofoils



With Hydrofoil

Boat has a tendency to be unstable

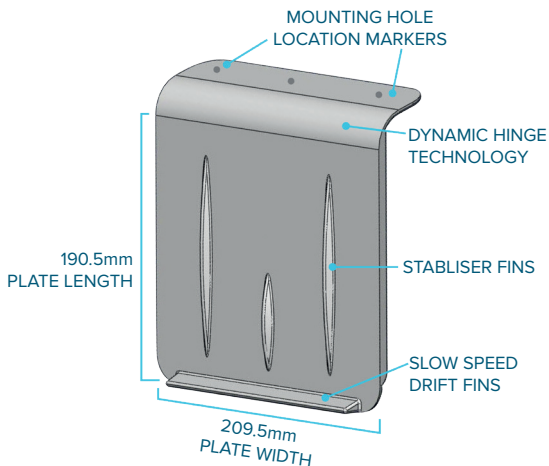


With HydroPlane

Boat remains level and stable

HydroPlane Benefits	HydroPlane	Hydrofoils
Reduce bow rise before planing	50%	minimal
Faster acceleration	15%+	8%
Faster time to plane	40%	15%
Increase top speed without prop change	3-5 MPH	none
Reduces minimum on plane speed	30%	6%
Improve fuel economy	11%	none
Eliminating porpoising (with negative trim)	✓	minimal
Eliminate chine walking	✓	x
Eliminate low speed wander	✓	x
Track better (in wandering seas)	✓	x
Adjustable to the requirements of each boat	✓	x
Automatic ride/handling/performance improvement	✓	x
Performance guarantee (to customer satisfaction)	✓	x

Bottom View & Dimensions




**GUARANTEED
PERFORMANCE**
OR YOUR MONEY BACK!