



QuickGroup

on board since 1992

Quick Group, international leader in the nautical equipment sector, operates worldwide in more than 110 countries and it boats the made in Italy flag since 1992.

From the beginning, the Group has been at the forefront of the time, and today it boasts an ambitious project of technological innovation and union of benchmarks in the nautical market.

At the helm of the Group the CEO and Founder, Michele Marzucco, in partnership since 2022 with Fondo Italiano d'Investimento SGR and Armonia SGR.

Quick Group has overall more than 300 employees and extends its logistics and production capacity over 50,000 square meters between Italy, with its headquarters in Ravenna and a production site in Chiavari, and abroad, with logistics and commercial sites in the United States and in England.



The history of Sanguineti Chiavari began in 1958 when its founder Sanguineti Virginio, thanks to his dynamism and determination, created an important reference point in the nautical sector characterized by a generational business, always internationally appreciated and recognized.

What's the hallmark of Sanguineti products? The privilege of being able to produce completely in Italy, a totally in-house qualified workforce, an enthusiastic synergy between the technical office and the production department.

The old values and knowledge have always been combined with the customer needs, allowing the realization of exclusive projects.

All needs can be satisfied, and this is the strength that has made the company a leader in the production of accessories for yachts, super yachts and workboats and refits.

The Art of Italian Making

Tradition and continuous investments allowed Sanguineti to establish in the world-wide market, addressing the needs of the nautical sector, becoming a state-of-the-art engineering company.





Deck Equipment

The production of Retractable Capstans has distinguished Sanguineti in the nautical world for almost seventy years. All over the range, the well-known retractable winch was the world-first designed by Sanguineti in the early 1990s. The winch mechanism, either fixed or with motorized up and down movement, eliminates encumbrance on deck, mainly used for mooring.

The diameter of the drum and other characteristics will differ according to the size of the vessel. Designed to support different loads and speeds, electrically or hydraulically driven, the winch is also available in different anodization finishes.



MOTORIZED MOVEMENT

Position 1



Position 2



Position 3





Light Alloy

Retractable capstans made of anodized light alloy with up/down motorized movement for eliminating deck obstructions. The range is assembled by double flange with the possibility of horizontal positioning. Electrically or hydraulically driven.

LIGHT ALLOY FINISHES

Classic aluminium



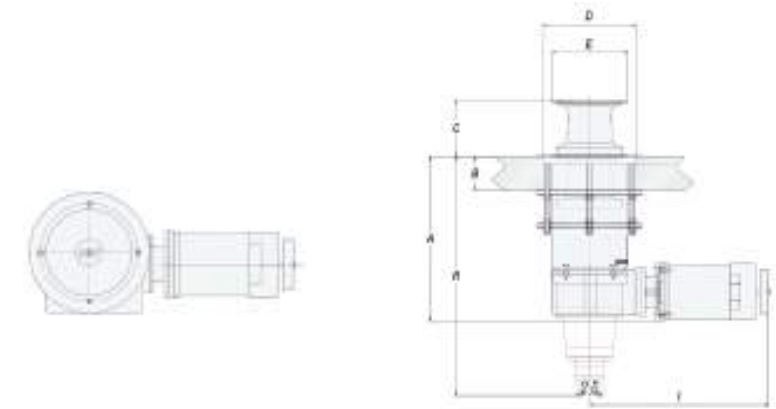
Dark grey aluminium



Black aluminium



TECHNICAL SPECIFICATIONS



ELECTRICALLY DRIVEN										
Code	Feeding V	Power VA	Max load kg	Size mm						weight kg
				A	B	C	øD	øE	I	
3700500	12 dc	600	400	465	100	112	180	138	267	35
3700600	24 dc	600	400	465	100	112	180	138	267	35
3710350	12 dc	1000	500	420	140	125	215	168	336	39
3710300	24 dc	1000	500	420	140	125	215	168	336	39
3710200	230/400 3ph	1000	500	435	140	125	215	168	381	44
3710400	24 dc	2000	1200	451	140	156	254	208	500	56
3710500	230/400 3ph	2000	1200	460	140	156	254	208	470	50

HYDRAULICALLY DRIVEN									
Code	bar	Max load kg	Size mm					weight kg	
			B	C	øD	øE	R		
3750000	200	500	140	125	215	169	610	48	
3755000	200	1200	140	156	254	208	640	58	



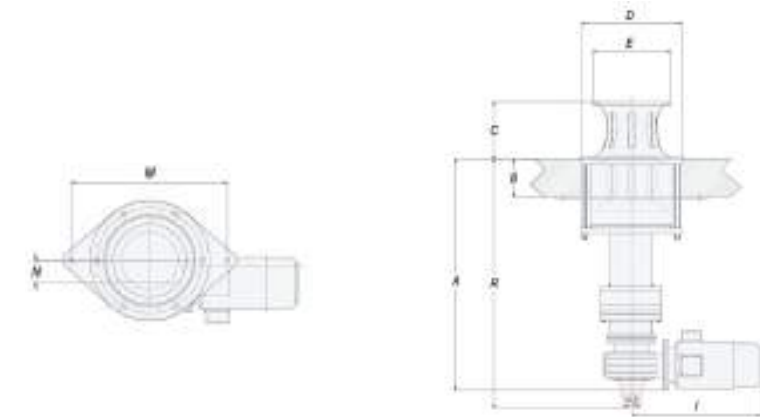
Stainless steel

Retractable capstans made of stainless steel AISI 316 in order to withstand the marine environment without oxidations with motorized up and down movement to remove the deck encumbrance. The range is assembled with double flange. Electric or hydraulic engine type.

STAINLESS STEEL



TECHNICAL SPECIFICATIONS



ELECTRICALLY DRIVEN

Code	Feeding V	Power VA	Max load kg	Size mm									weight kg
				A	B min.	B max.	C	øD	øE	I	M	N	
3711050	12 dc	600	400	465	100	100	112	180	138	250	0	0	42
3711055	24 dc	600	400	465	100	100	112	180	138	250	0	0	42
3711060	12 dc	1000	500	485	100	100	112	180	138	350	0	20	46
3711065	24 dc	1000	500	485	100	100	112	180	138	350	0	20	46
3711070	230/400 3ph	1000	500	485	100	100	112	180	138	350	0	20	46
3711100	24 dc	2000	1200	500	50	150	140	254	195	500	0	30	75
3711200	230/400 3ph	2200	1200	500	50	150	140	254	195	450	0	30	75
3720400	24 dc	3000	1800	614	50	150	178	305	246	450	400	30	104
3720500	230/400 3ph	3000	1600	614	50	150	178	305	246	450	400	30	104
3740200	230/400 3ph	5000	2600	930	50	200	235	400	310	520	550	90	200

HYDRAULICALLY DRIVEN

Code	Work press. bar	Max press. bar	Max load kg	Flow L/min.	Size mm							weight kg
					B min.	B max.	C	øD	øE	M	R	
3750100	200	250	1200	8	50	150	140	245	195	0	685	72
3750200	200	250	1800	12	50	150	178	305	246	400	774	110
3756000	200	250	2600	18	50	200	235	400	310	500	950	184





Company subject to the management and coordination of Quick S.p.A.
Via S.Rufino 31 - 16043 Chiavari (GE) Italy
Phone: +39 0185 363324
www.sanguineti.com
info@sanguineti.com