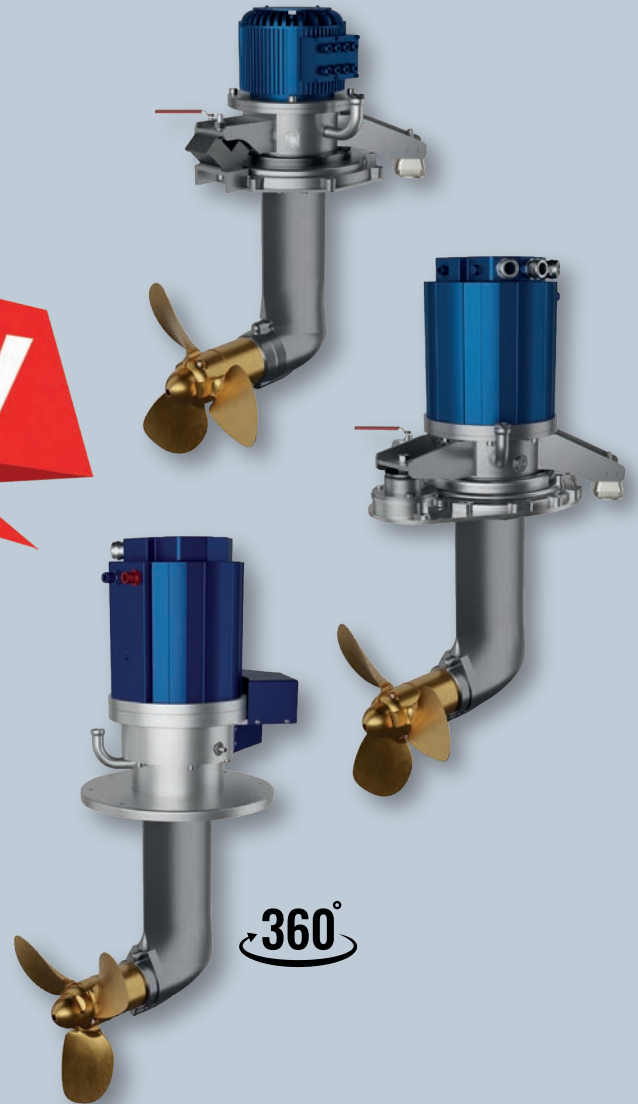


NEW



SAILDRIVES

www.eptechnologies.dk

Your specialist of choice and reliable partner

EPTechnologies system is a complete product with an easy plug and play system. Our systems are fully tested before shipping from the factory and pass all quality tests on our test bench. We set the benchmark for future electric propulsion systems and, with 12 years of experience in electric propulsion and power boats, we are the market leader.

Many years of experience with large boats form the basis for the development of these systems. You are assured the highest quality and reliability. Both, the motors and the electrical controls, are very energy efficient.

We offer two models, sail drive and shaft drive, in three sizes. Other sizes are available on request. We are always available for you and will gladly discuss your ideas and wishes.

We are leading the way to a better and greener technology.



Join us – and turn your dreams into reality!





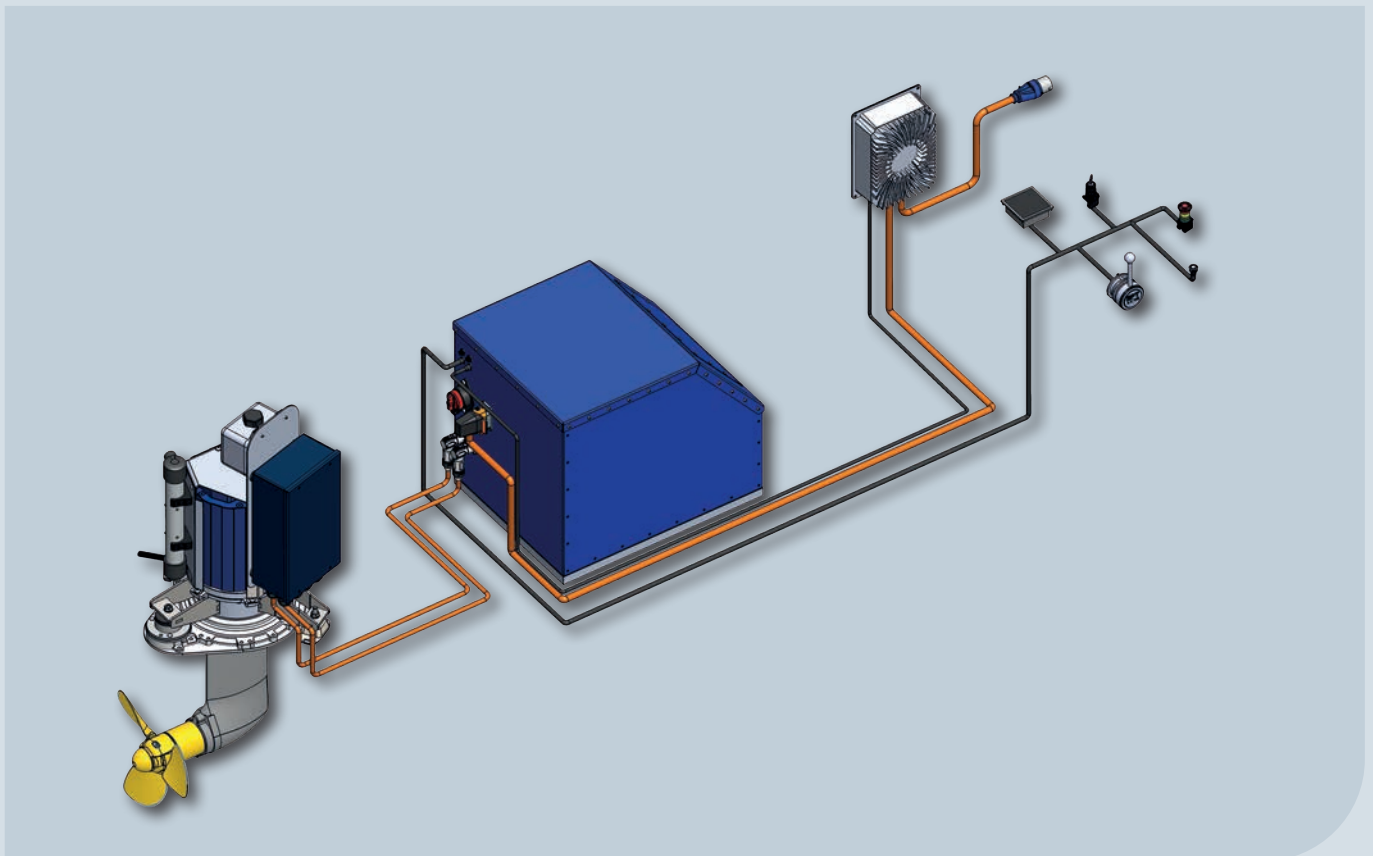
TURNABLE SAILDRIVE

Our innovative Electric Turnable Saildrive offers an entire electric propulsion system with a 360-degree rotation, a powerful electric motor, high-efficiency lithium batteries, and utilizing the maximum energy during the sail and battery recharge using the turnable mechanism.

We are generally adaptable to working boats, sailboats, yachts, fishing boats, tugboats, catamarans, motorboats, and houseboats, among other vessels. The key advantage of choosing our method is that no additional thruster is required behind the boat. Using our Saildrive technology, we can maintain speeds that vary between 16 to 20 knots.

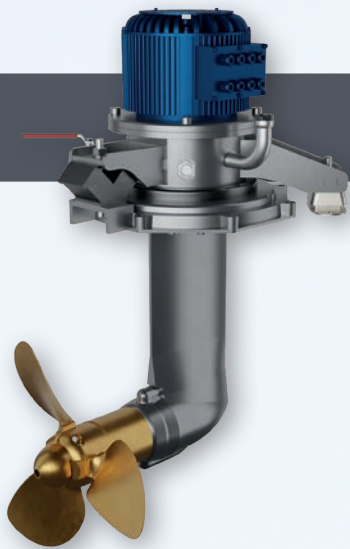
We can alter the system based on the boat's type, weight, length, and requirements.

- Power 25 to 60 kW
- RPM 500 to 2000
- Voltage 100 to 800 VDC
- 360 degrees rotatable
- Electric servo motor
- Joystick control



EPTechnologies has been testing electric sailing with effective energy generation along the route for the past few years in order to achieve energy independence and ensure that there is always electricity on board. EPTechnologies' unique Turnable Saildrive creates electricity for the batteries while you sail, resulting in the least amount of resistance and the maximum aerodynamics.

We will always stand for being green, silent and powerful.



SAILDRIVE SD-25

- Power 10 kW
- RPM 1000 to 2000
- Voltage 48 VDC



SAILDRIVE SD-60

- Power 25, 39, 60 kW
- RPM 500 to 2000
- Voltage 100 to 800 VDC

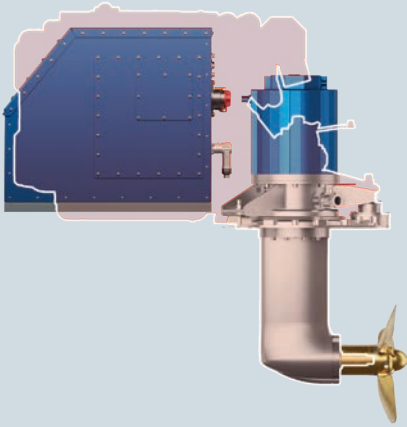


SAILDRIVE SD-15

- Power 65, 95 kW
- RPM 500 to 2000
- Voltage 400 to 800 VDC



NORMAL DIESEL V/S EPT ELECTRIC SYSTEM



The **50 HP diesel engine** is compared to the **39 KW EPT electric system**, with the same power and capacity. Here we are using a 37 KWh battery system for this combination.

The key advantage of employing our approach is that **you can place the battery box in the engine room itself**, eliminating the need for additional storage space.

This arrangement shows how simple it is to install our system while replacing the diesel engine. As the battery module contains the majority of the electric components within the box itself and requires only a few connections to complete the installation. We guarantee to deliver good electric power while sailing as well as larger battery capacity for a fantastic sailing experience.



EPT PLUG & PLAY BATTERIES

The EPT Plug & Play Batteries are self-contained units. They include electronic boards, controllers, and power connections within a compact battery box. They can be used as a single unit, requiring only a charger and controlling modules in addition. They are designed to be completely airtight and occupies minimal installation space.

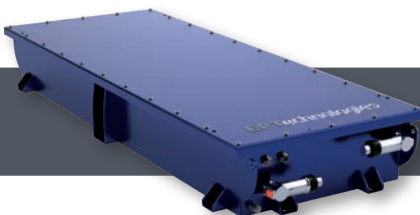
- Power 18, 32, 37 kWh
- Voltage 100 VDC



EPT LV LITHIUM BATTERIES

These batteries combine series and parallel connections to sustain the required power output. We can select racks of two, three, or four batteries, or combine them to achieve a higher output. Choosing the battery rack based on available space is an option, especially if the battery room or engine room has limited space.

- Power 4 to 100 kWh
- Voltage 24 and 48 VDC



EPT HV MARINE BATTERIES

The EPT HV Marine Batteries are mainly used for powerful marine drives, especially on catamarans, and this system has the capability to rack the batteries in a five-row configuration to maintain a required power output. Therefore, making it suitable for extended cruises.

- Power 78 to 800 kWh
- Voltage 400 to 800 VDC



Powered by
EPTechnologies
Energy Power Technologies

GERMANY

EPTechnologies GmbH

Senefelder Ring 51
21465 Reinbek
Germany
Office: +49 40 7900 8969
Sales: +45 52 380 800
sales@epttechnologies.de
www.epttechnologies.de



DENMARK

EPTechnologies Aps

Ellegårdsvej 25 N
6400 Sønderborg
Denmark
Sales: +41 76 411 27 70
+45 52 380 800
sales@epttechnologies.dk
www.epttechnologies.dk

The copyright for published objects created by the author himself remains solely with the author of the pages. Any duplication or use of such graphics, sound documents, video sequences and texts in other electronic or printed publications is not permitted without the express consent of the author.

© EPTechnologies ApS 2023 6.23